

FIG A 2 LOOP RELAYED

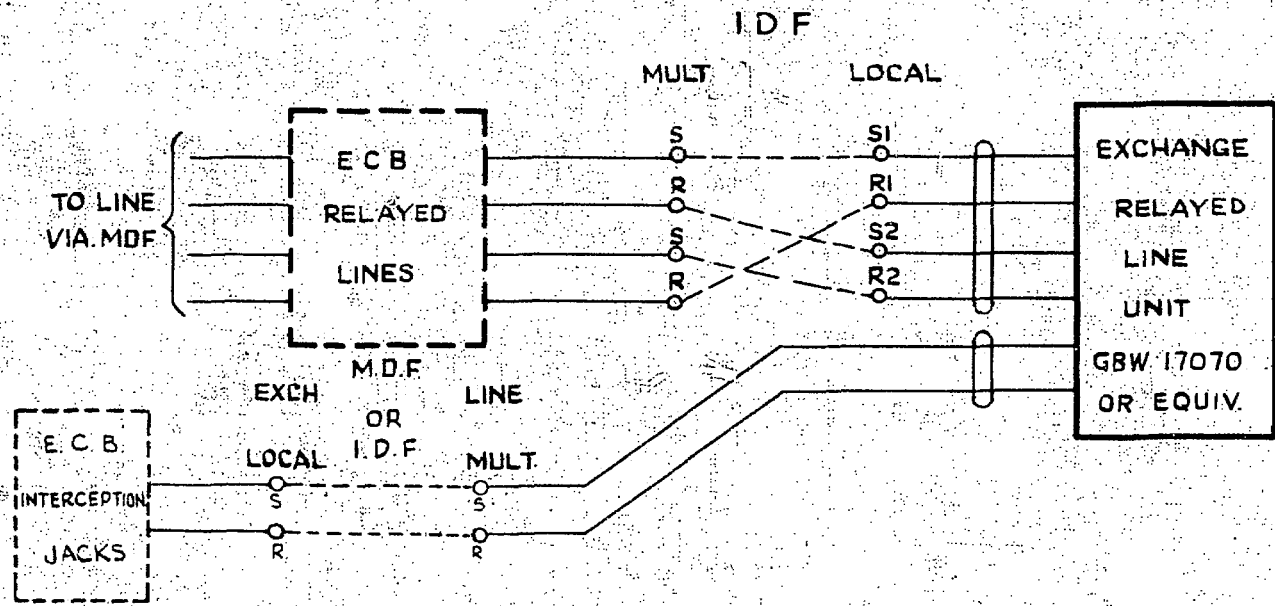
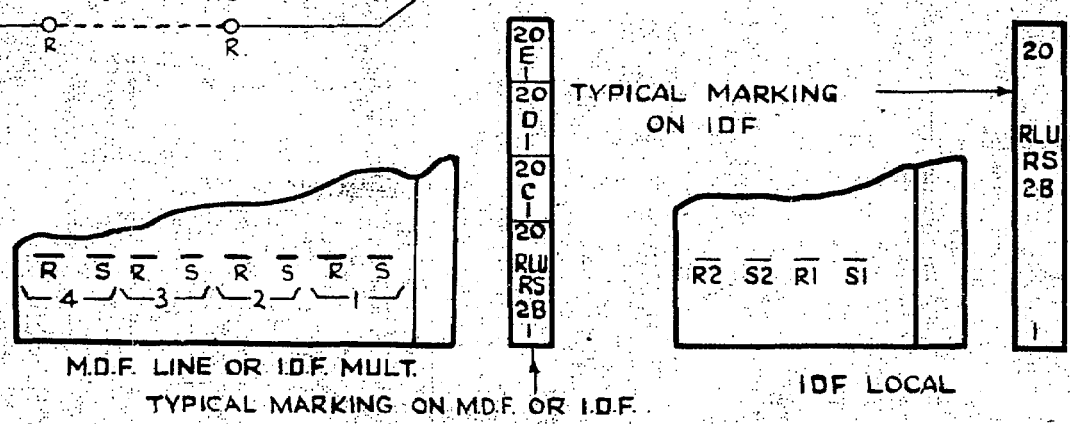
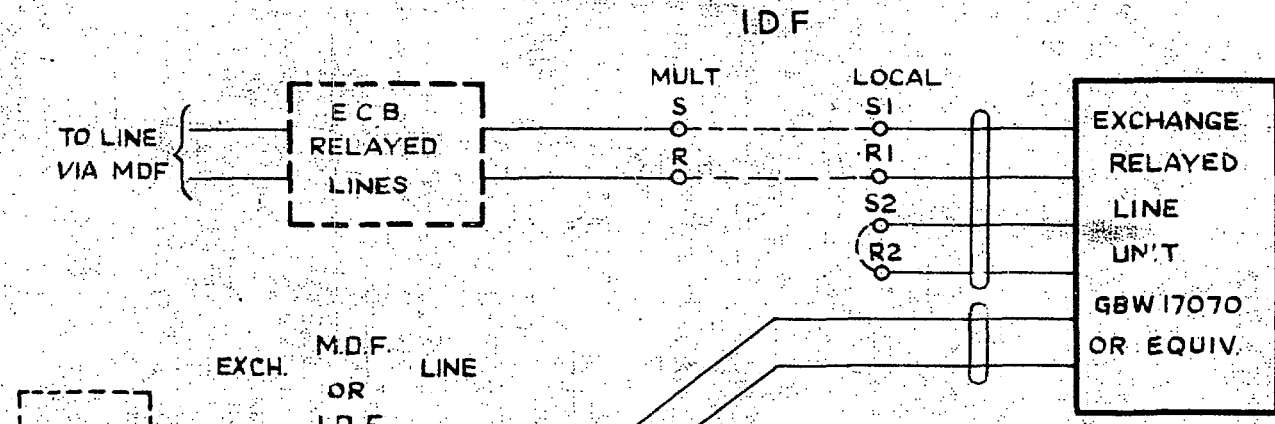


FIG B 2 WIRE RELAYED

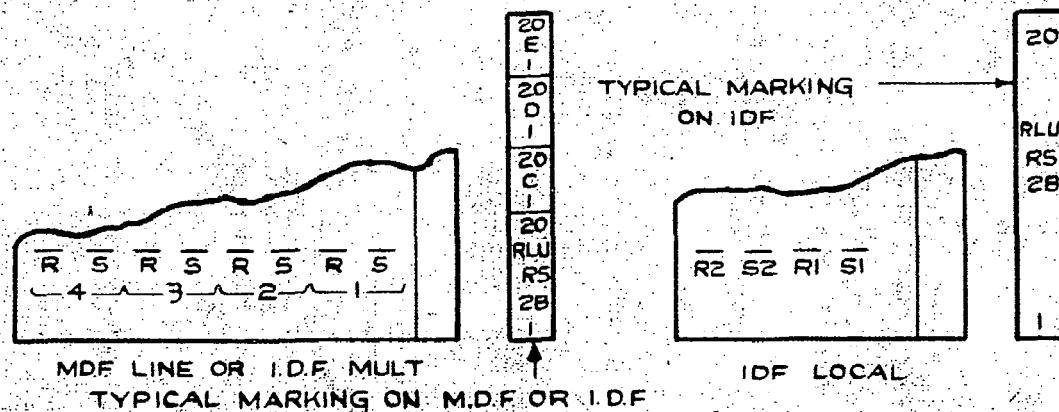
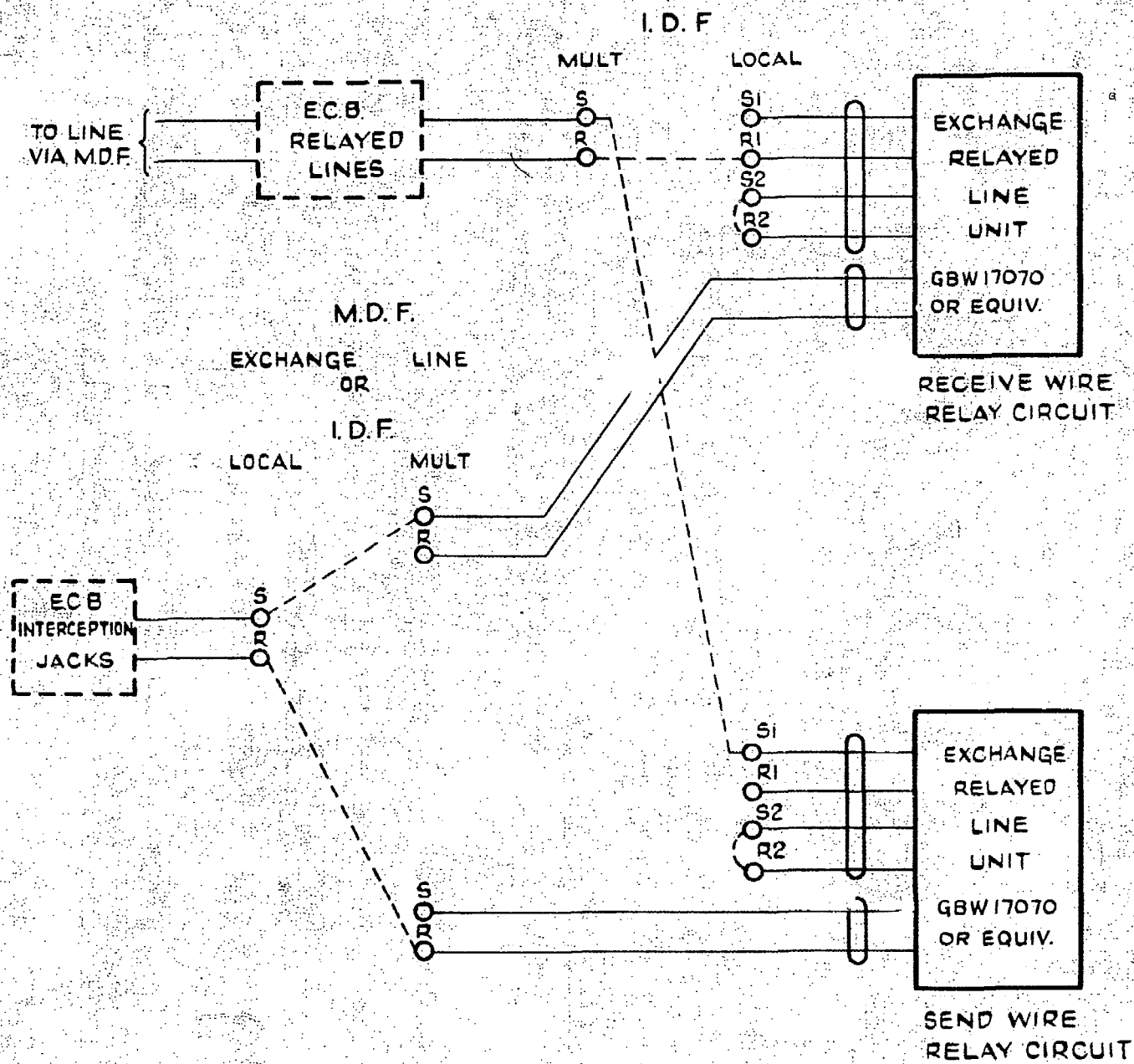


	(70502)	1	27-3-63
AMENDMENT PARTICULARS	ISSUE	DATE	APPD
NZ.P.O.	DRAWN	CHECKED	WIRING CIRCUIT

AUTOMATIC TELEX SYSTEM
EXCHANGE RELAYED LINE
UNIT

GBX 17070

FIG. C 2 WIRE RELAYED SEND AND RECEIVE WIRE



				AUTOMATIC TELEX SYSTEM EXCHANGE RELAYED LINE UNIT	
		(10502)	1	27-3-63	Lee
AMENDMENT PARTICULARS		ISSUE	DATE	APPD	E
NZPO		DRAWN	CHECKED	WIRING CIRCUIT	GBX 17070
					SHEET 2-2