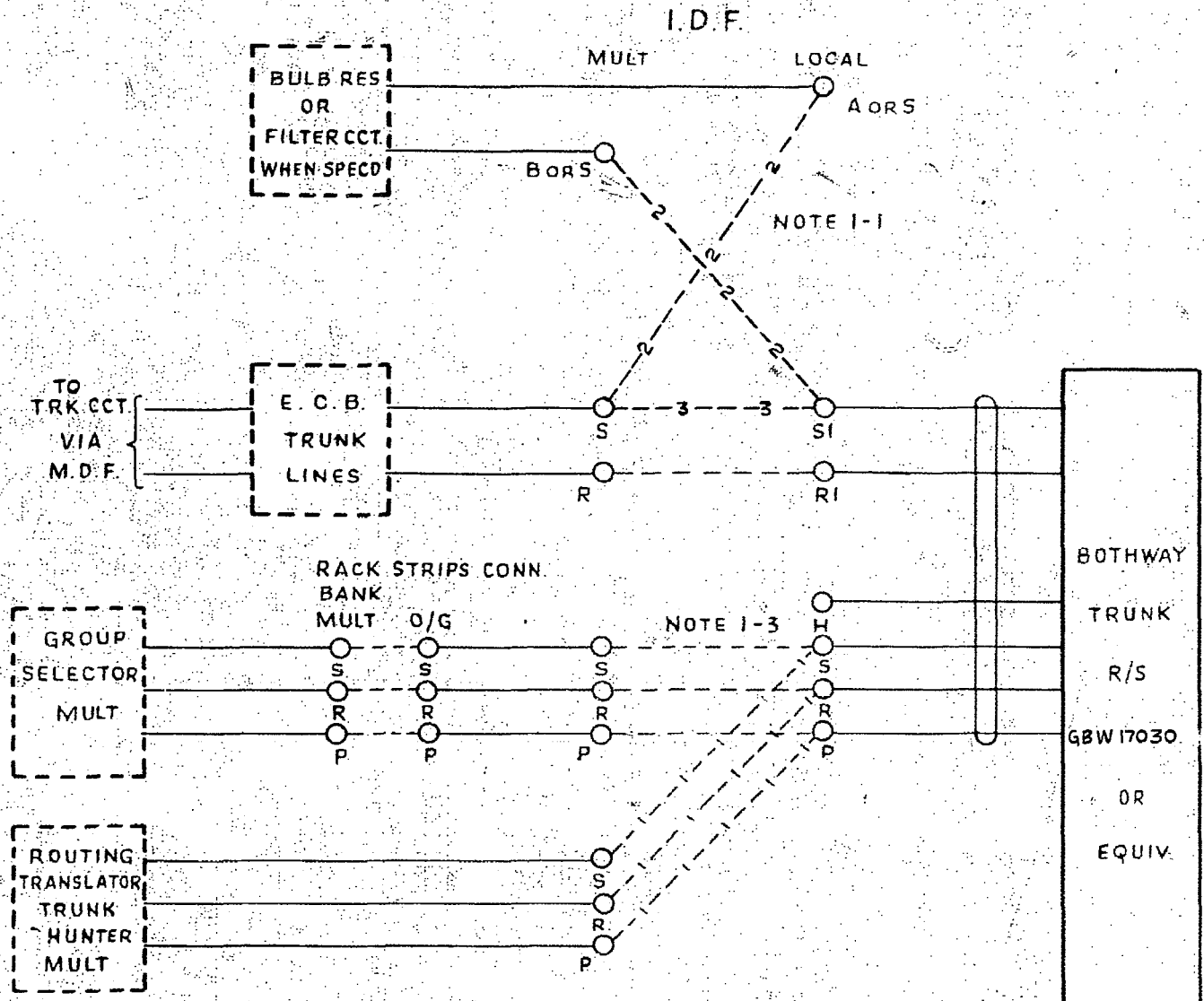


**FIG A** BOTHWAY TRUNK R/S FROM ROUTING TRANSLATOR TRUNK HUNTER MULT AND/OR GROUP SELECTOR MULT.

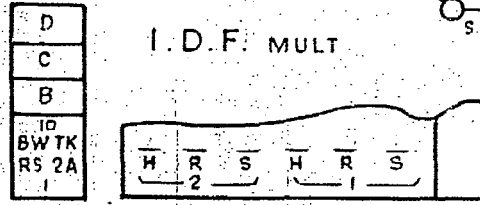
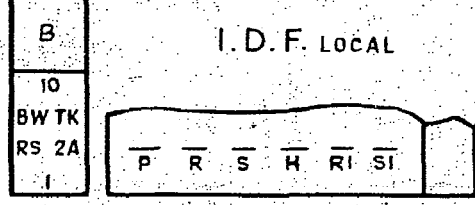


NOTES 1-1 BULBS RES OR FILTERS WILL BE INSERTED

IN THE S WIRES WHEN SPECIFIED IN WHICH CASES OMIT JUMPERING SHOWN -- 3 -- & ADD JUMPERING SHOWN -- 2 --

1-2 SELECTOR NOT REQUIRED ON UNIDIRECTIONAL OUTGOING TRUNK CIRCUITS.

1-3 JUMPERS TIED FOR JOINT ACCESS WHEN TRUNK HUNTERS ARE FITTED.



AUTOMATIC TELEX SYSTEM  
BOTHWAY TRUNK RELAY SET

AMENDMENT PARTICULARS

ISSUE DATE APPD

E

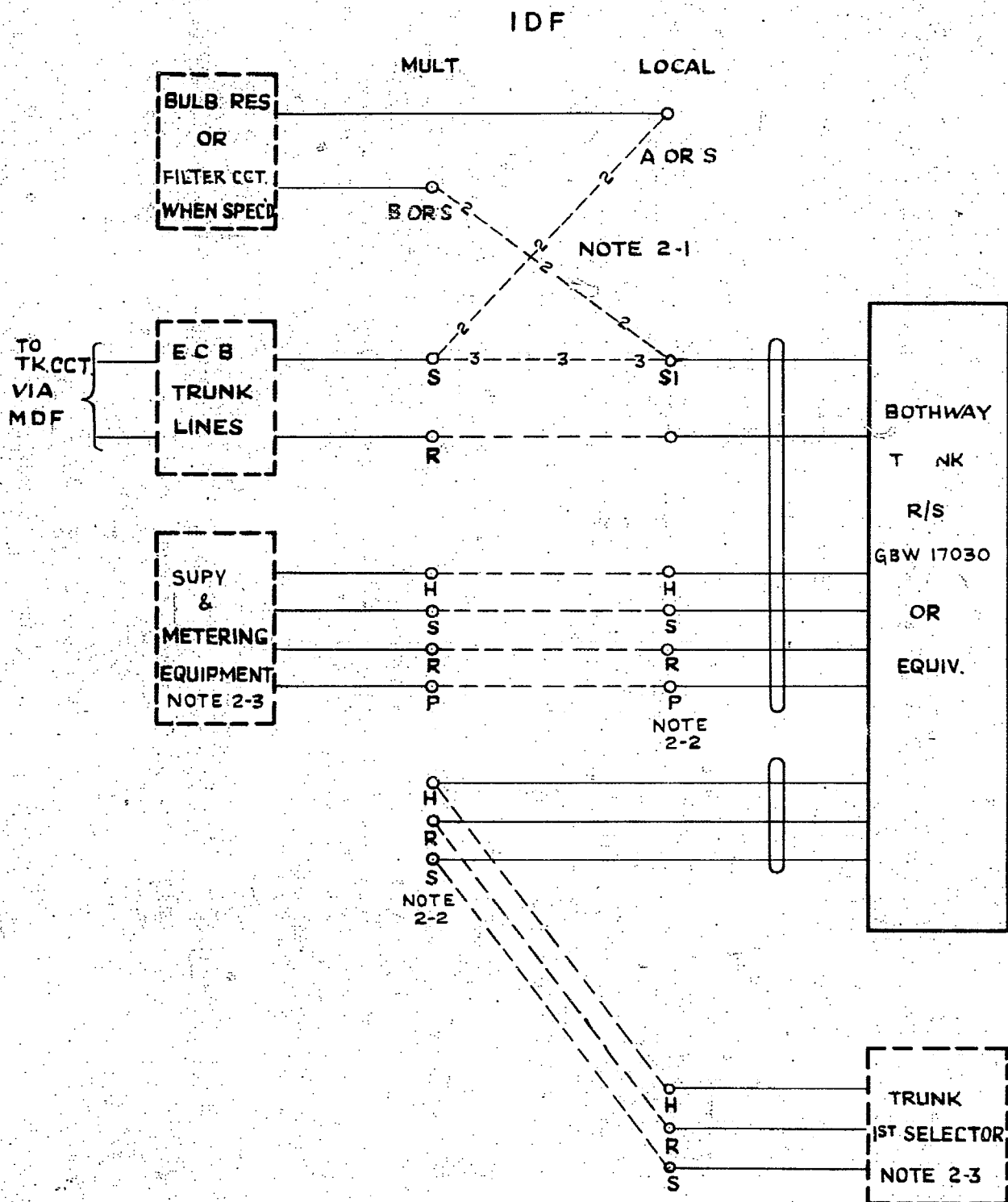
N.Z.P.O.

DRAWN CHECKED WIRED CIRCUIT

17030  
GBX

SHEET 1-2

# FIG B BOTHWAY TRUNK R/S FROM SUPY & METERING EQUIP



NOTES 2-1 BULBS RES OR FILTERS WILL BE INSERTED IN THE 'S' WIRES WHEN SPECIFIED, IN WHICH CASES OMIT JUMPERING SHOWN --- 3 --- & ADD JUMPERING SHOWN -- 2 --

2-3 SELECTOR AND SUPY & METERING EQUIPMENT NOT REQUIRED ON UNIDIRECTIONAL OUTGOING TRUNK CIRCUITS.

2-2 FOR MARKING OF CONN STRIPS SEE SHEET 1

				AUTOMATIC TELEX SYSTEM	
				BOTHWAY TRUNK RELAY SET	
(70502)		1	27-3-63	<i>Free</i>	
AMENDMENT PARTICULARS		ISSUE	DATE	APPD	E.
NZPO		DRAWN	CHECKED	WIRING	CIRCUIT
				17030	
				GBX	SHEET 2-2