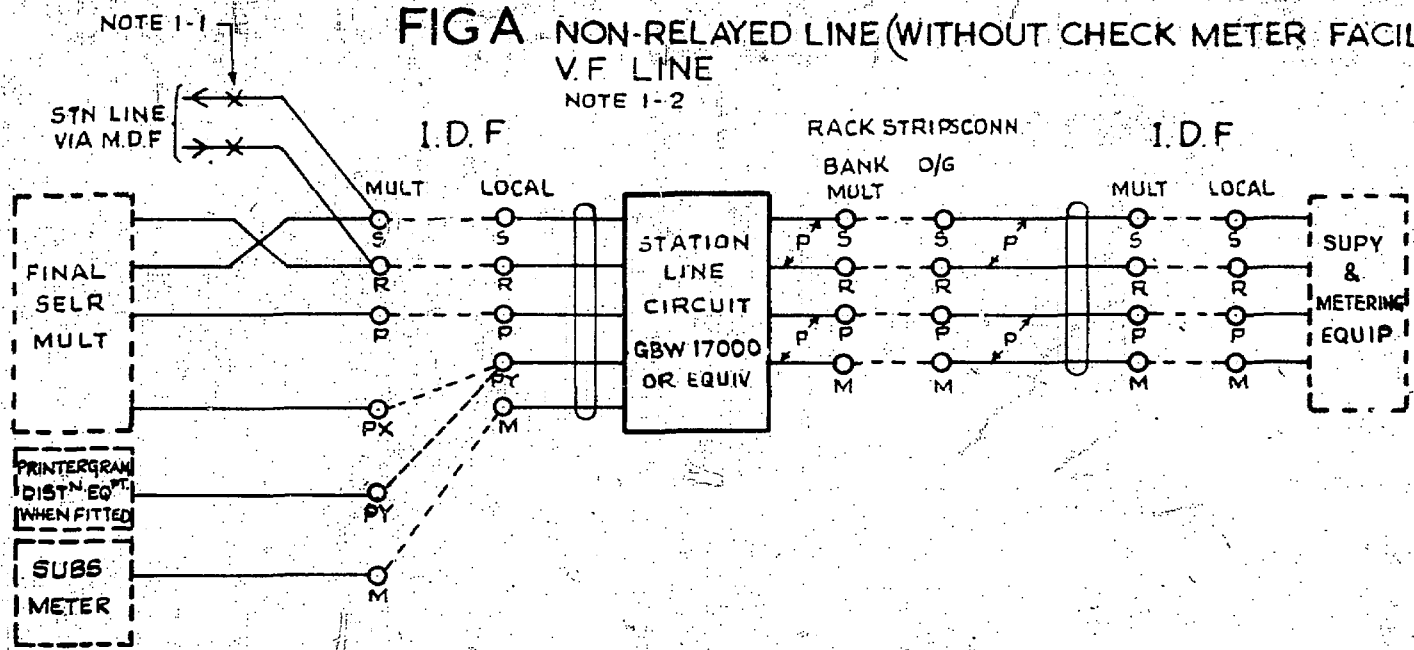
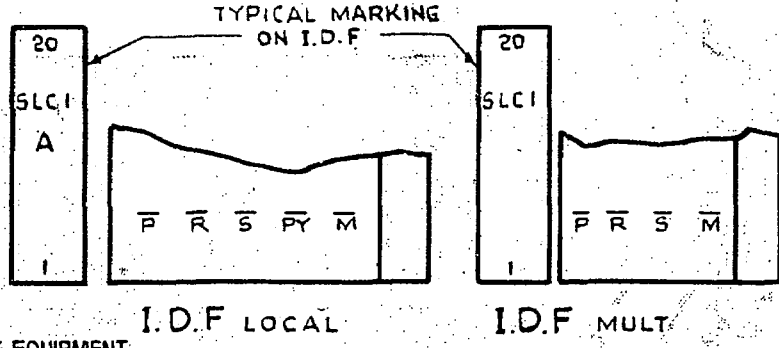
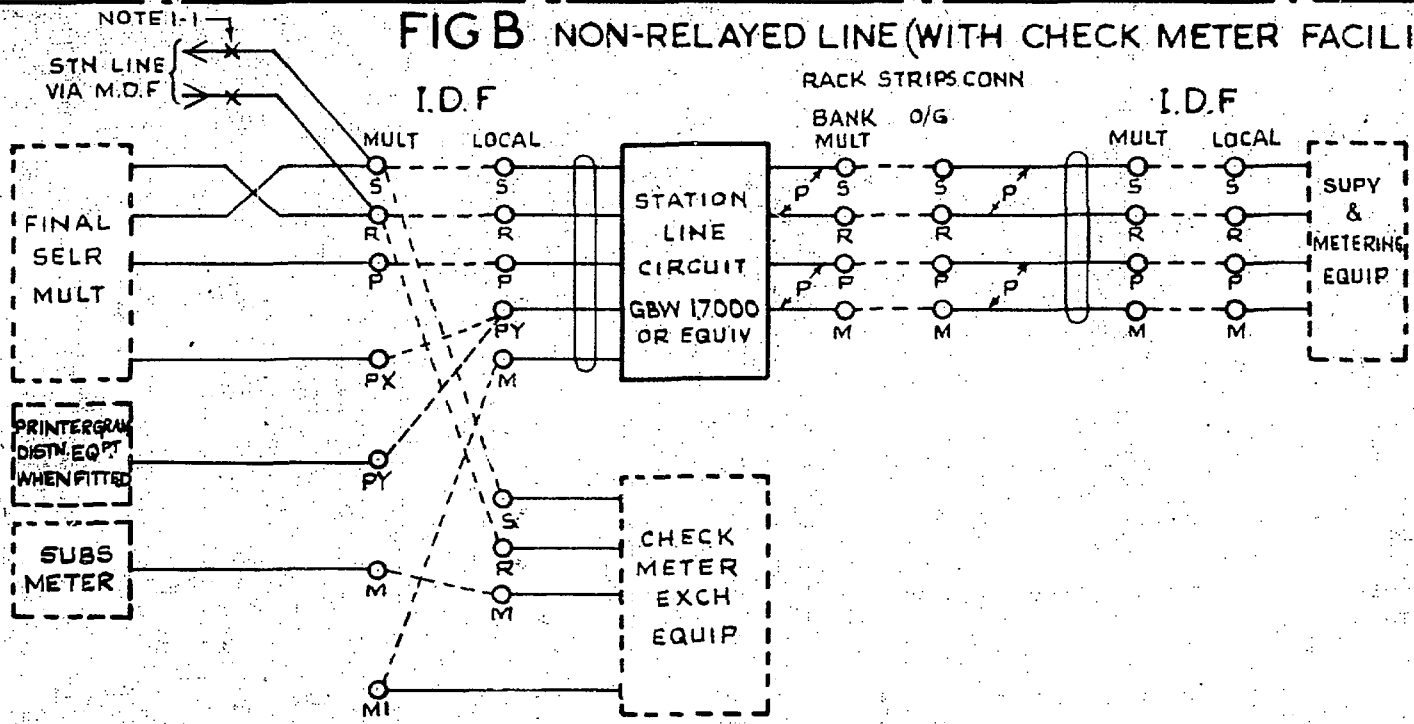


# FIG A NON-RELAYED LINE (WITHOUT CHECK METER FACILITY) V.F. LINE



CONN STRIP MARKING S - FIG. B

# FIG B NON-RELAYED LINE (WITH CHECK METER FACILITY)

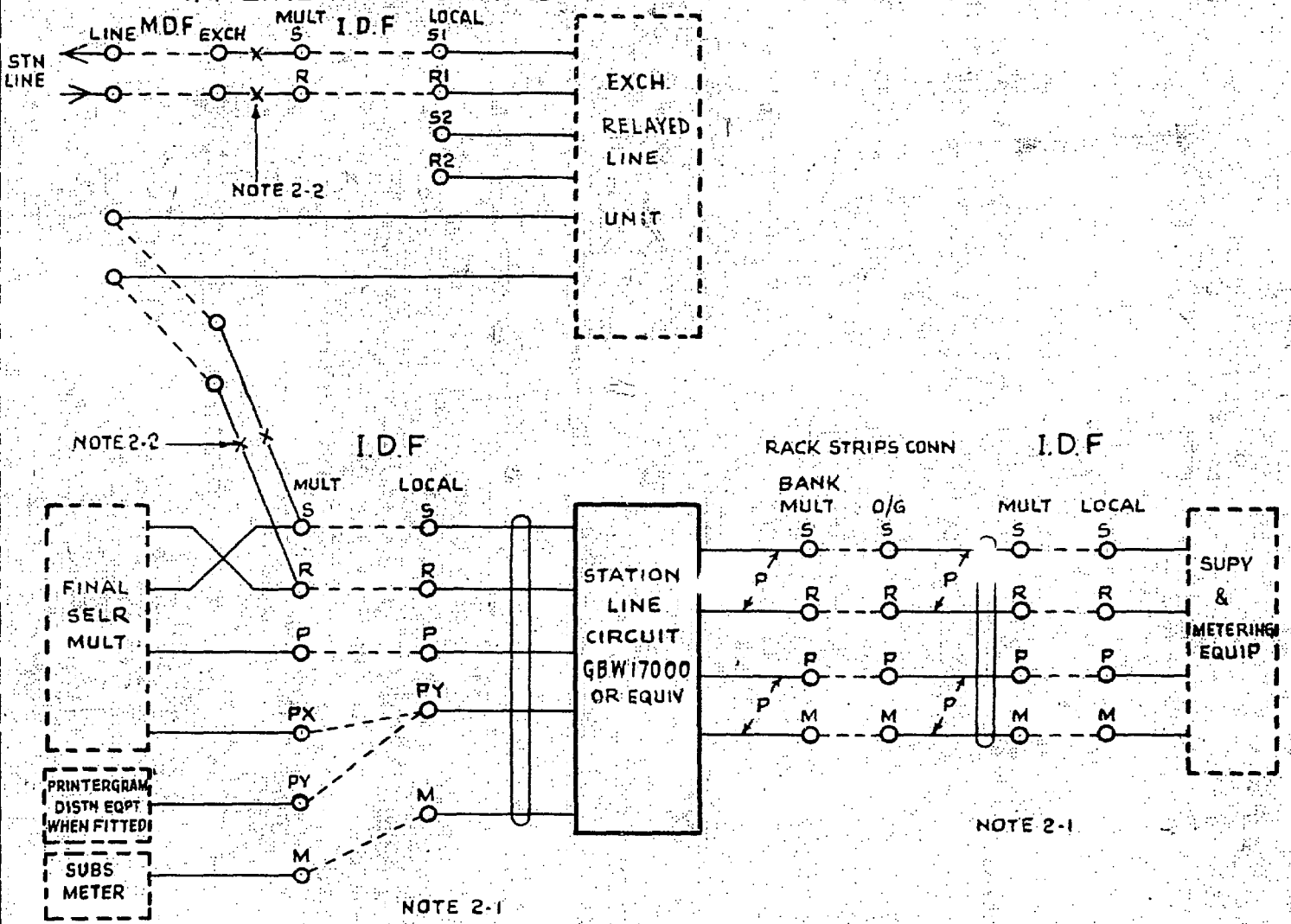


## NOTE

- 1-1 VIA ECB TEST JACKS WHEN SPECIFIED SEE GBX-17260 OR EQUIV
- 1-2 SEE FIG. J FOR CONNEXIONS WHEN SUPY & METERING EQUIPMENT IS STRAPPED FOR THE INAPPROPRIATE TYPE OF LINE

AUTOMATIC TELEX SYSTEM STATION LINE CIRCUIT				
NO CHANGE. ISSUE ADVANCED ONLY (21934)	2	10-4-70	<i>[Signature]</i>	
(7050.2)	1	27-3-63	<i>[Signature]</i>	
AMENDMENT PARTICULARS	ISSUE	DATE	APP'D	E
NZPO	DRAWN	CHECKED	WIRING CIRCUIT	<b>GBX 17000</b>
				SHEET 1-11

**FIG C TWO WIRE RELAYED LINE (WITHOUT CHECK METER FACILITY) NOTE 2-3**  
**V.F. LINE WITH RELAYED PHYSICAL CONNEXION TO EXCHANGE**

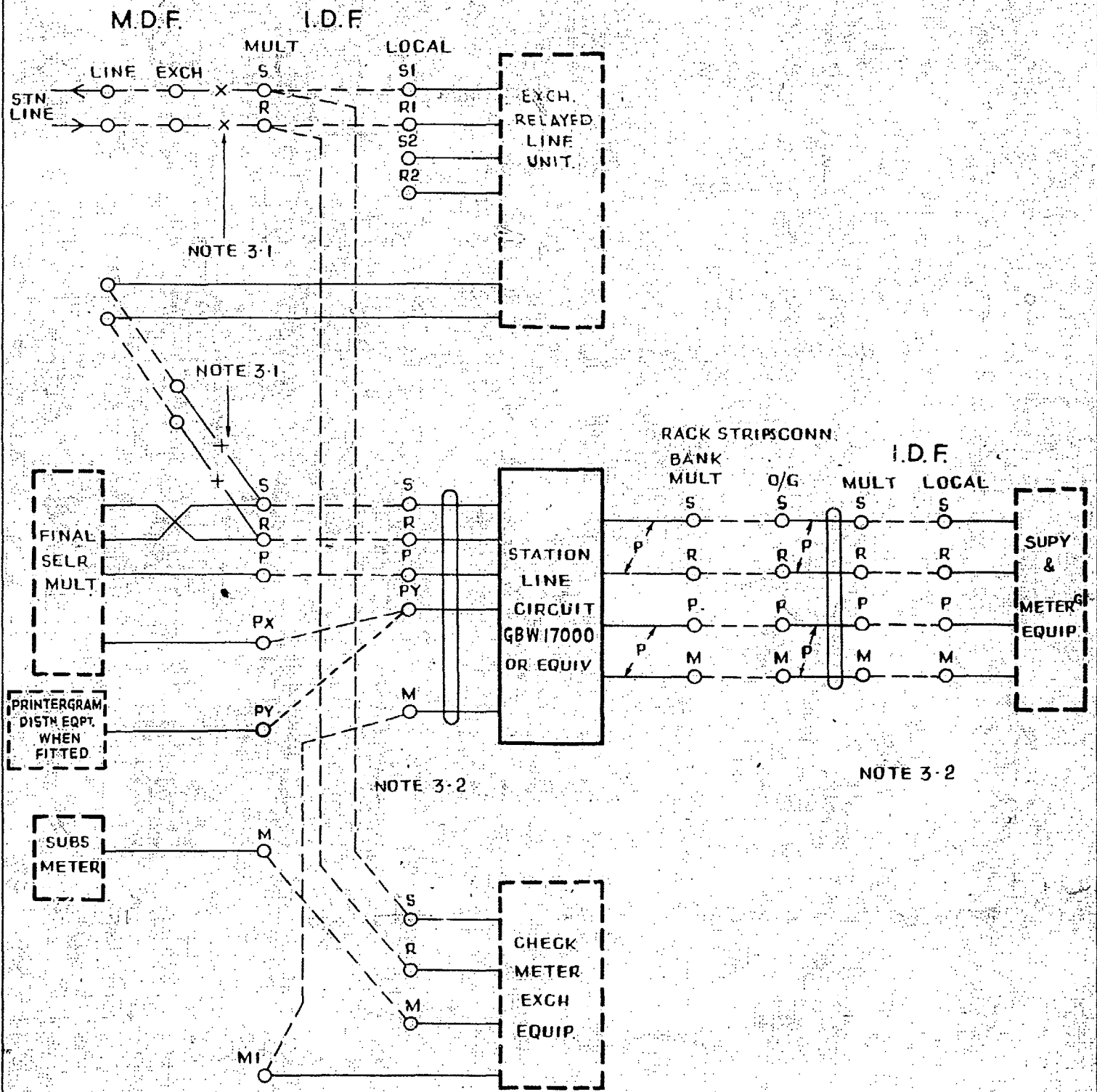


**NOTES**

- 2-1 FOR MARKING OF CONN STRIPS SEE FIG. B. SHEET 1-11
- 2-2 VIA ECB TEST JACKS WHEN SPECIFIED. SEE GBX17260 OR EQUIV
- 2-3 SEE FIG. K FOR CONNEXIONS WHEN SUPY & METERING EQUIPMENT IS STRAPPED FOR INAPPROPRIATE TYPE OF LINE

					AUTOMATIC TELEX SYSTEM	
					STATION LINE CIRCUIT	
NO CHANGE, ISSUE ADVANCED ONLY (21934)		2	10-4-70	<i>W</i>		
(70502)		1	27-3-68	<i>W</i>		
AMENDMENT PARTICULARS		ISSUE	DATE	APP'D		
NZPO		DRAWN	CHECKED	WIRING CIRCUIT	<b>GBX 17000</b>	
					SHEET 2-11	

# FIG. D TWO-WIRE RELAYED LINE WITH CHECK METER



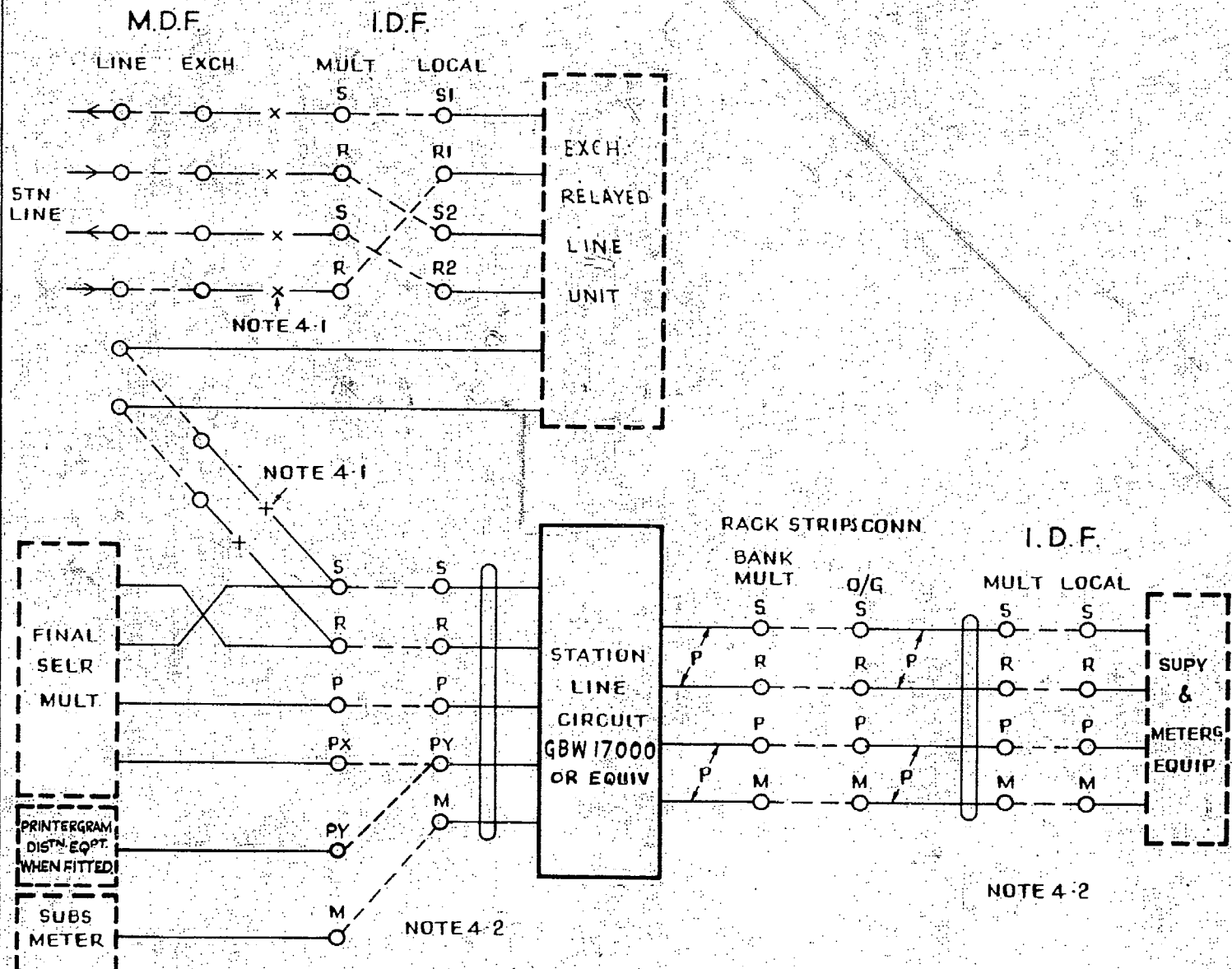
**NOTE**

- 3-1 VIA ECB TEST JACKS WHEN SPECIFIED, SEE GBX 17260 OR EQUIV.
- 3-2 FOR MARKING OF CONN STRIPS SEE FIG B SHEET 1-11
- 3-3 SEE FIG K FOR CONNEXIONS WHEN SUPPLY & METERING EQUIPMENT IS STRAPPED FOR INAPPROPRIATE TYPE OF LINE.

				AUTOMATIC TELEX SYSTEM STATION LINE CIRCUIT	
NO CHANGE ISSUE ADVANCED ONLY (21934)	2	10.4.70	<i>SLG</i>		
(70502)	1	27.3.63	<i>Te</i>		
AMENDMENT PARTICULARS	ISSUE	DATE	APPD		E
NZ.P.O.			DRAWN	CHECKED	WIRING CIRCUIT
			<b>GBX 17000</b>		
					SHEET 3-11

# FIG. E TWO-LOOP RELAYED LINE WITHOUT CHECK METER FACILITY

NOTE 4-3



## NOTES

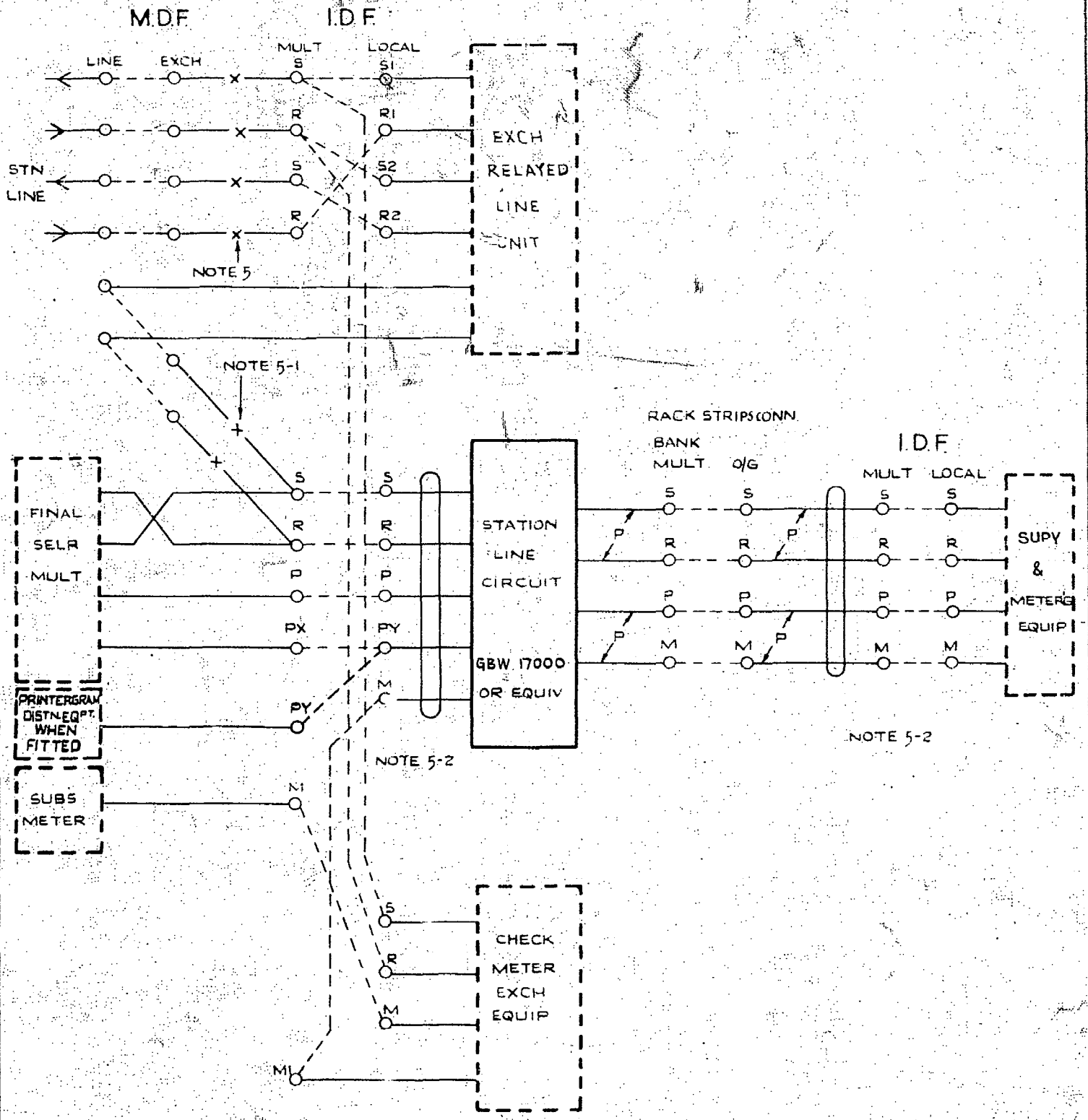
4-1 VIA E.C.B TEST JACKS WHEN SPECIFIED SEE GBX17260 OR EQUIV.

4-2 FOR MARKING OF CONN STRIPS SEE FIG B SHEET 1-11

4-3 SEE FIG. L FOR CONNEXIONS WHEN SUPY & METERING EQUIPMENT IS STRAPPED FOR THE INAPPROPRIATE TYPE OF LINE.

				AUTOMATIC TELEX SYSTEM STATION LINE CIRCUIT	
NO CHANGE, ISSUE ADVANCED ONLY (21934)	2	10-4-70	<i>[Signature]</i>		
(70502)	1	27-3-63	<i>[Signature]</i>		
AMENDMENT PARTICULARS	ISSUE	DATE	APPD		
NZPO	DRAWN	CHECKED	WIRING CIRCUIT	<b>GBX 17000</b>	
				SHEET 4-11	

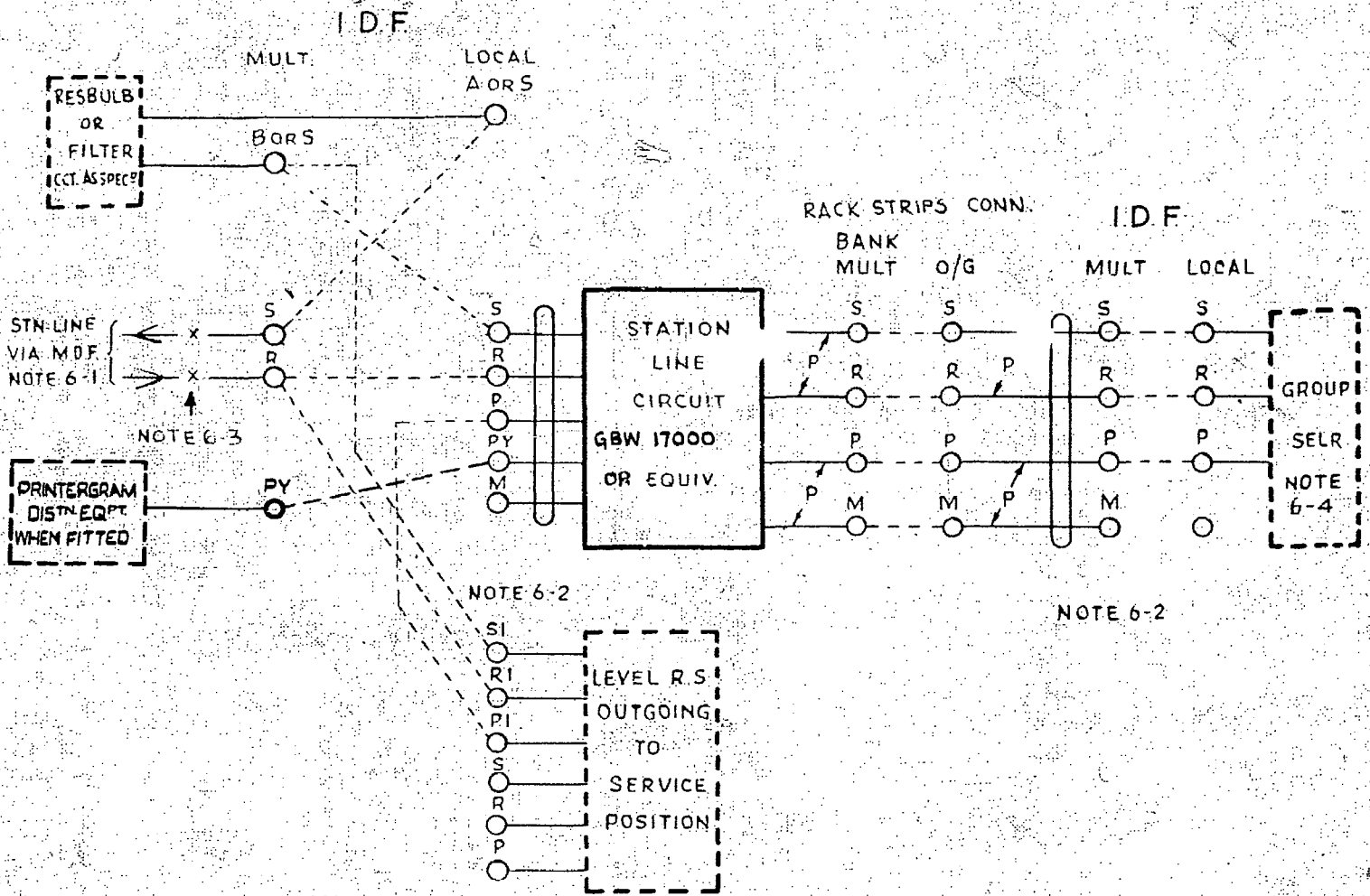
# FIG. F TWO-LOOP RELAYED LINE WITH CHECK METER FACILITY



- NOTE 5-1 VIA ECB TEST JACKS WHEN SPECIFIED SEE GBX 17260 OR EQUIV.
- 5-2 FOR MARKING OF CONN STRIPS SEE FIG 'B' SHEET 1-11
- 5-3 SEE FIG. L FOR CONNEXIONS WHEN SUPY & METERING EQUIPMENT IS STRAPPED FOR THE INAPPROPRIATE TYPE OF LINE

AUTOMATIC TELEX SYSTEM STATION LINE CIRCUIT				
NO CHANGE ISSUE ADVANCED ONLY (21934) (70502)	2	10-4-70	<i>[Signature]</i>	
AMENDMENT PARTICULARS	ISSUE	DATE	APP'D	E
NZPO	DRAWN	CHECKED	WIRED	CIRCUIT
<b>17000</b>			<b>GBX</b>	
SHEET 5-11				

FIG G SERVICE STATION LINE WITHOUT METER

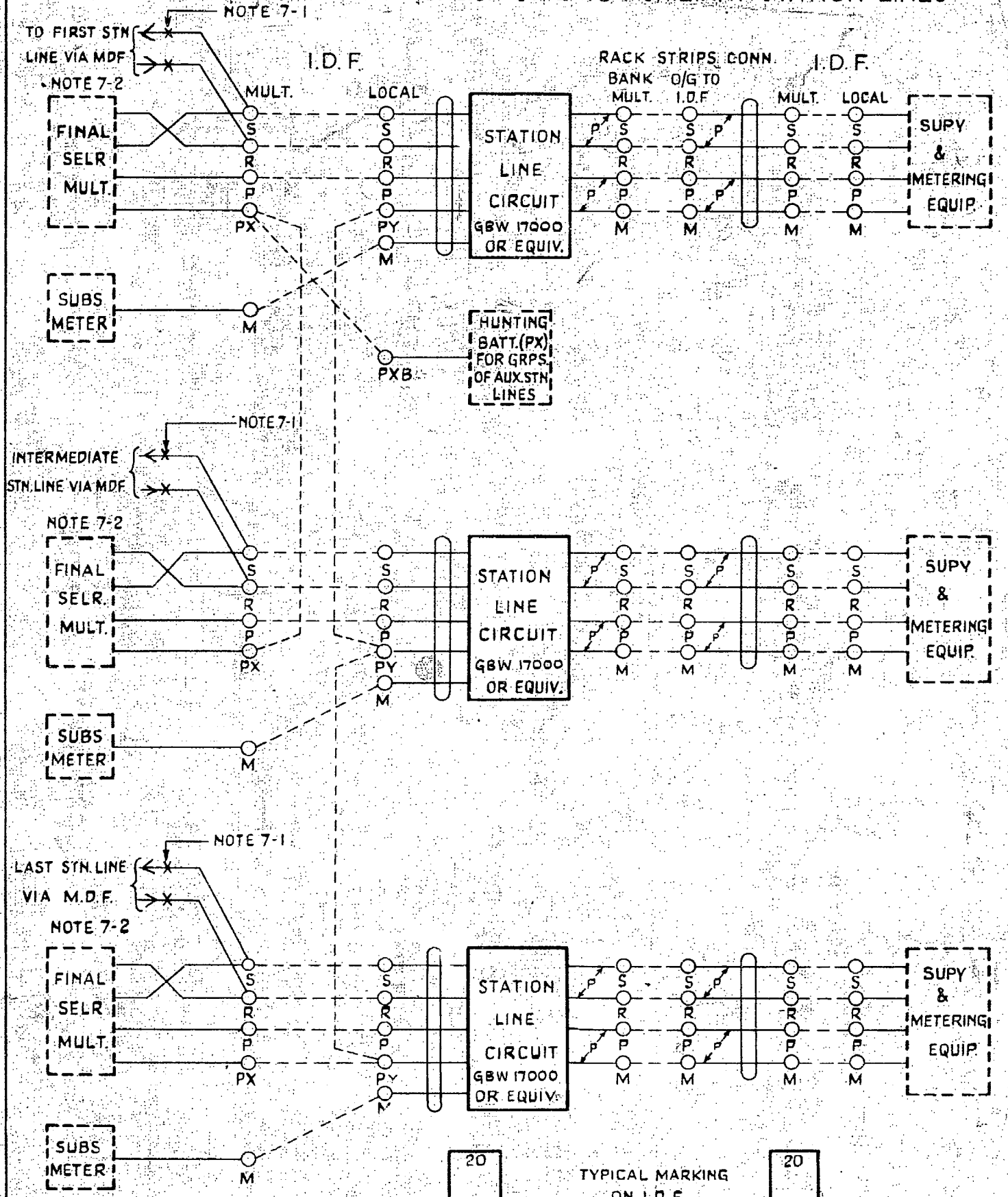


NOTES

- 6-1 FOR CONNEXION OF AUXILIARY EQUIPMENT WHEN SPECIFIED SEE FIGS. CORE
- 6-2 FOR MARKING OF CONN. STRIP SEE FIG. B SHEET I-II
- 6-3 VIA E.C.B. TEST JACKS WHEN SPECIFIED. SEE GBX 17260 OR EQUIV.
- 6-4 WHEN SPECIFIED THIS SELECTOR IS PRECEDED BY A DEMETERING CIRCUIT.

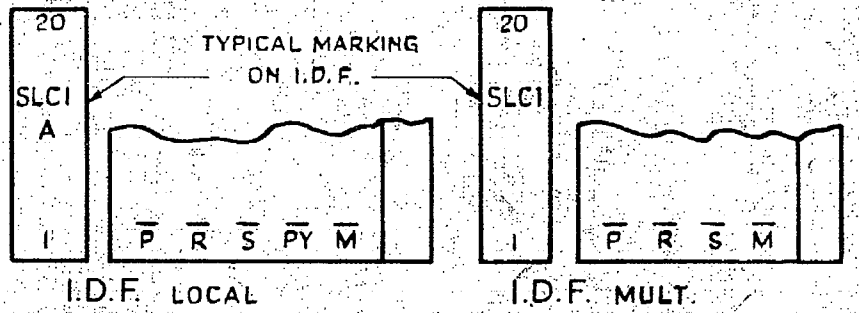
				AUTOMATIC TELEX SYSTEM	
				STATION LINE CIRCUIT.	
NO CHANGE, ISS ADVANCED ONLY	(21934)	2	10-4-70	849	
	(70502)	1	27-3-63	Car	
AMENDMENT PARTICULARS	ISSUE	DATE	APPD.		E
			<b>GBX 17000</b>		
NZ.P.O.	DRAWN	CHECKED	WIRED	CIRCUIT	SHEET 6-11

# FIG. H GROUP OF 2-10 AUXILIARY STATION LINES



## NOTES.

- 7-1. VIA ECB TEST JACKS WHEN SPEC'D. SEE GBX 17260 OR EQUIV.
- 7-2. FOR CONNEXION OF AUXILIARY EQUIPMENT WHEN SPECIFIED SEE FIGS. B, C, D, E, F, J, K OR L.

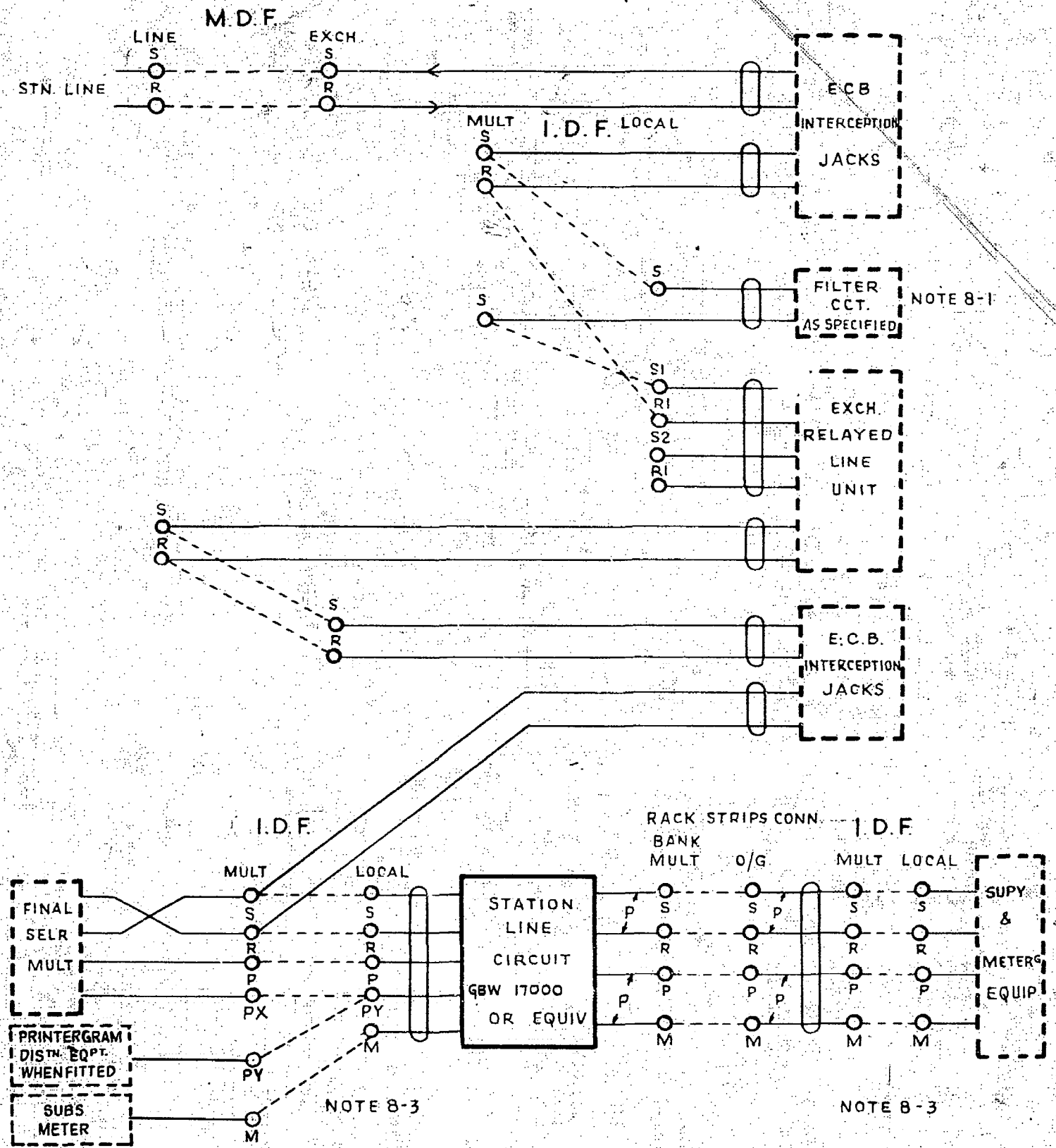


				AUTOMATIC TELEX SYSTEM	
				STATION LINE CIRCUIT	
NO CHANGE, ISSUE ADVANCED ONLY (21934)	2	10.4.70	<i>SLC</i>		
(70502)	1	27.3.63	<i>SLC</i>		
AMENDMENT PARTICULARS	ISSUE	DATE	APPD		

**FIG J**

NON-RELAYED PHYSICAL STATION LINE WITHOUT CHECKMETER FACILITY (NOTE 8-2)

SERVED BY SUPY & METERING EQUIPMENT STRAPPED FOR VF STATION LINES AND VF STATION LINE SERVED BY SUPY & METERING EQUIPMENTS STRAPPED FOR PHYSICAL STATION LINES.



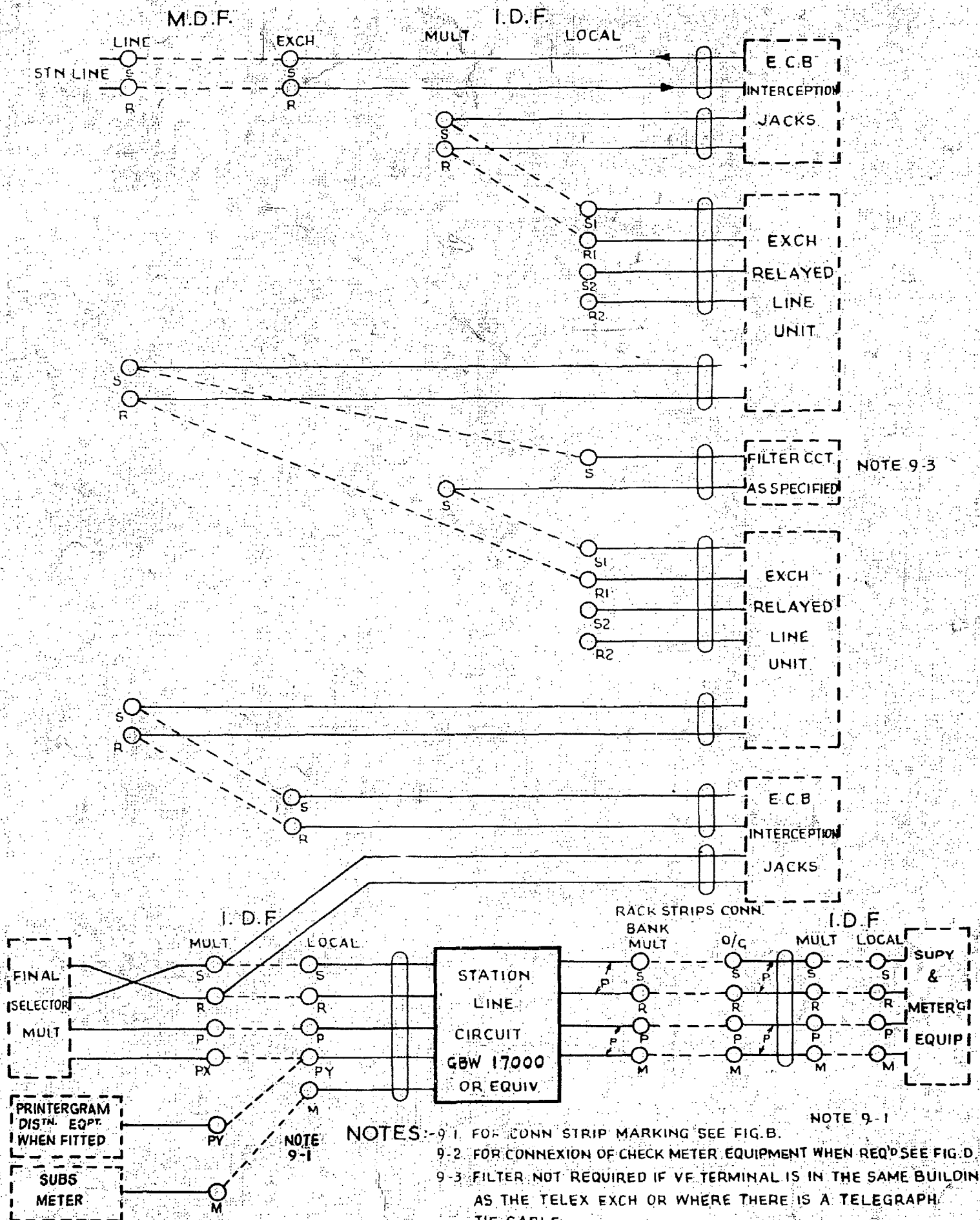
**NOTES** 8-1 FILTER NOT REQUIRED IF VF TERMINAL IS IN THE SAME BUILDING AS THE TELEX EXCH. OR WHERE THERE IS A TELEGRAPH TIE CABLE.  
 8-2 FOR CONNEXION OF CHECKMETER EQUIPMENT WHEN REQUIRED SEE FIG. D.  
 8-3 FOR CONN. STRIP MARKING SEE FIG. B.

					AUTOMATIC TELEX SYSTEM	
					STATION LINE CIRCUIT.	
NO CHANGE ISSUE ADVANCED ONLY		(21934)	2	10-4-70	990	
		(70502)	1	27-3-63	bol	
AMENDMENT PARTICULARS.			ISSUE	DATE	APPD	E
NZPO			DRAWN	CHECKED	WIRED	CIRCUIT
					<b>GBX 17000</b>	
					SHEET 8-11	



**FIG. K**

PHYSICAL 2 WIRE RELAYED STATION LINE WITHOUT CHECK METER FACILITY, (NOTE 9-2) SERVED BY SUPPLY & METERING EQUIPMENT STRAPPED FOR VF STATION LINES.



- NOTES:**
- 9-1. FOR CONN STRIP MARKING SEE FIG. B.
  - 9-2. FOR CONNEXION OF CHECK METER EQUIPMENT WHEN REQ'D SEE FIG. D.
  - 9-3. FILTER NOT REQUIRED IF VF TERMINAL IS IN THE SAME BUILDING AS THE TELEX EXCH OR WHERE THERE IS A TELEGRAPH TIE CABLE.

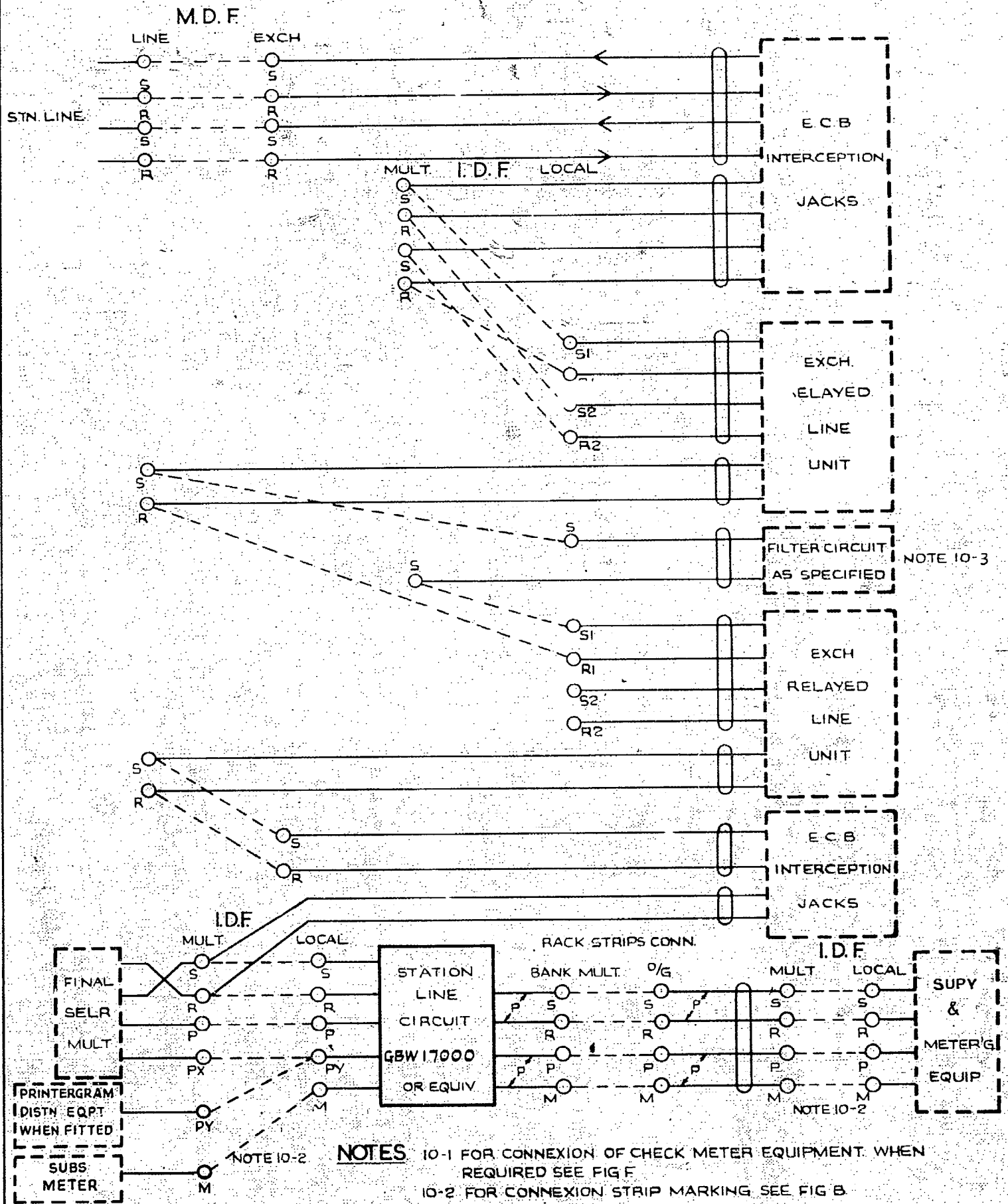
**AUTOMATIC TELEX SYSTEM  
STATION LINE CIRCUIT**

NO CHANGE, ISSUE ADVANCED ONLY	(21934)	2	10-4-70	<i>AGB</i>
	(70502)	1	27-3-63	<i>Line</i>
AMENDMENT PARTICULARS		ISSUE	DATE	APPD

NZPO		DRAWN	CHECKED	WIRING CIRCUIT
------	--	-------	---------	----------------

**GBX 17000**

**FIG. L.** 2 LOOP RELAYED STATION LINE WITHOUT CHECK METER FACILITY (NOTE 10-1) SERVED BY SUPY & METERING EQUIPMENT STRAPPED FOR VF STATION LINES.



- NOTES**
- 10-1 FOR CONNEXION OF CHECK METER EQUIPMENT WHEN REQUIRED SEE FIG F
  - 10-2 FOR CONNEXION STRIP MARKING SEE FIG B
  - 10-3 FILTER NOT REQ'D IF VF TERMINAL IS IN THE SAME BUILDING AS THE TELEX EXCH OR WHERE THERE IS A TELEGRAPH TIE CABLE.

				<b>AUTOMATIC TELEX SYSTEM</b>	
				<b>STATION LINE CIRCUIT</b>	
NO CHANGE. ADVANCED IN ISSUE ONLY (21934)		2	10-4-70	<i>991</i>	
(70502)		1	27-3-63	<i>Lee</i>	
AMENDMENT PARTICULARS		ISSUE	DATE	APP'D	E
NZ.P.O.		DRAWN	CHECKED	WIRING CIRCUIT	<b>GBX 17000</b>
					SHEET 10-11

FIG. M. CONCENTRATOR LINK

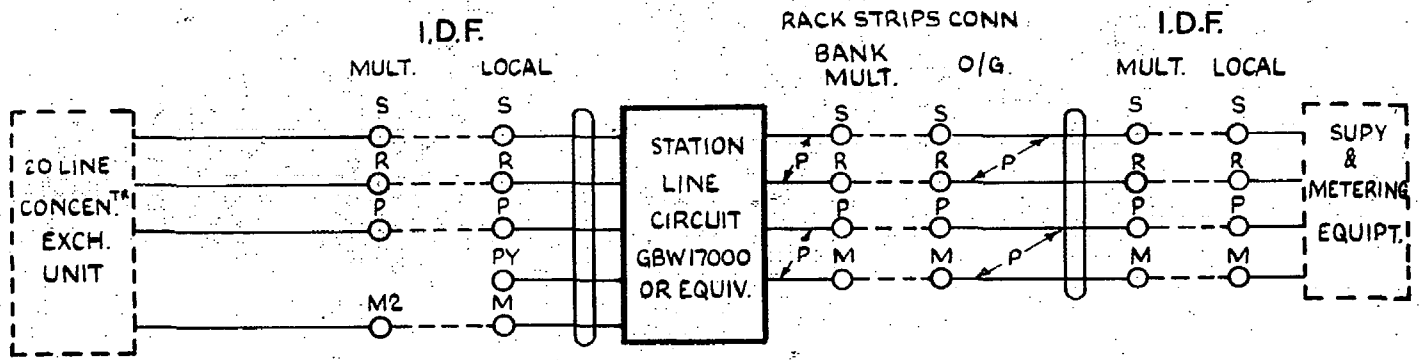
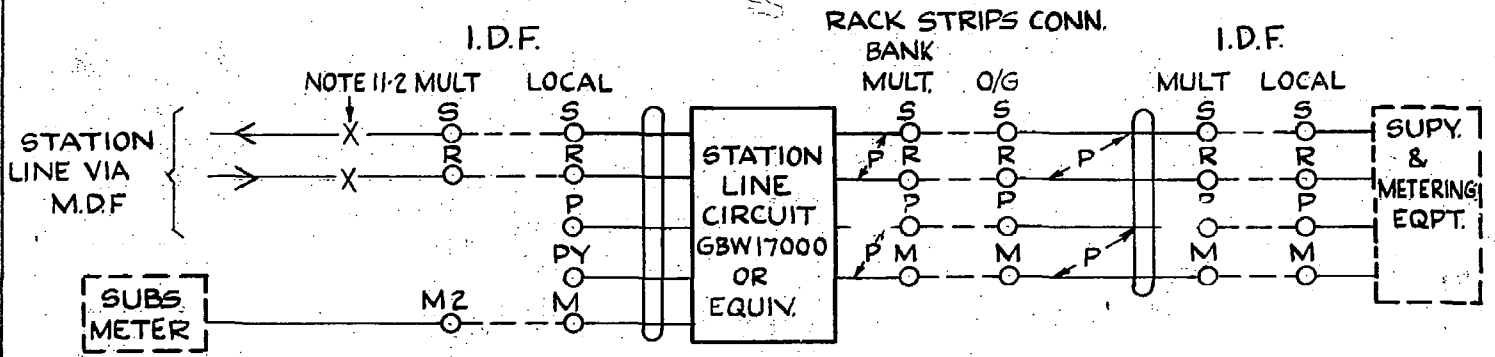


FIG. N. NON-RELAYED LINE. UNIDIRECTIONAL O/G (ie. FROM STATION TO EXCHANGE)



NOTES

- 11-1. FOR MARKING OF CONN. STRIPS SEE FIG. B, SHEET 1-11.
- 11-2. VIA E.C.B. TEST JACKS WHEN SPECIFIED. SEE GBX 17260 OR EQUIV.

					AUTOMATIC TELEX SYSTEM	
					STATION LINE CIRCUIT	
FIG. N & NOTE 11-2 ADDED	(21934)	2	10-4-70	YB		
	(70502)	1	27-3-63	TL		
AMENDMENT PARTICULARS		ISSUE	DATE	APPD.	E	
					17000	
NZ.P.O.		DRAWN	CHECKED	WIRING CIRCUIT	GBX	
					SHEET 11-11	