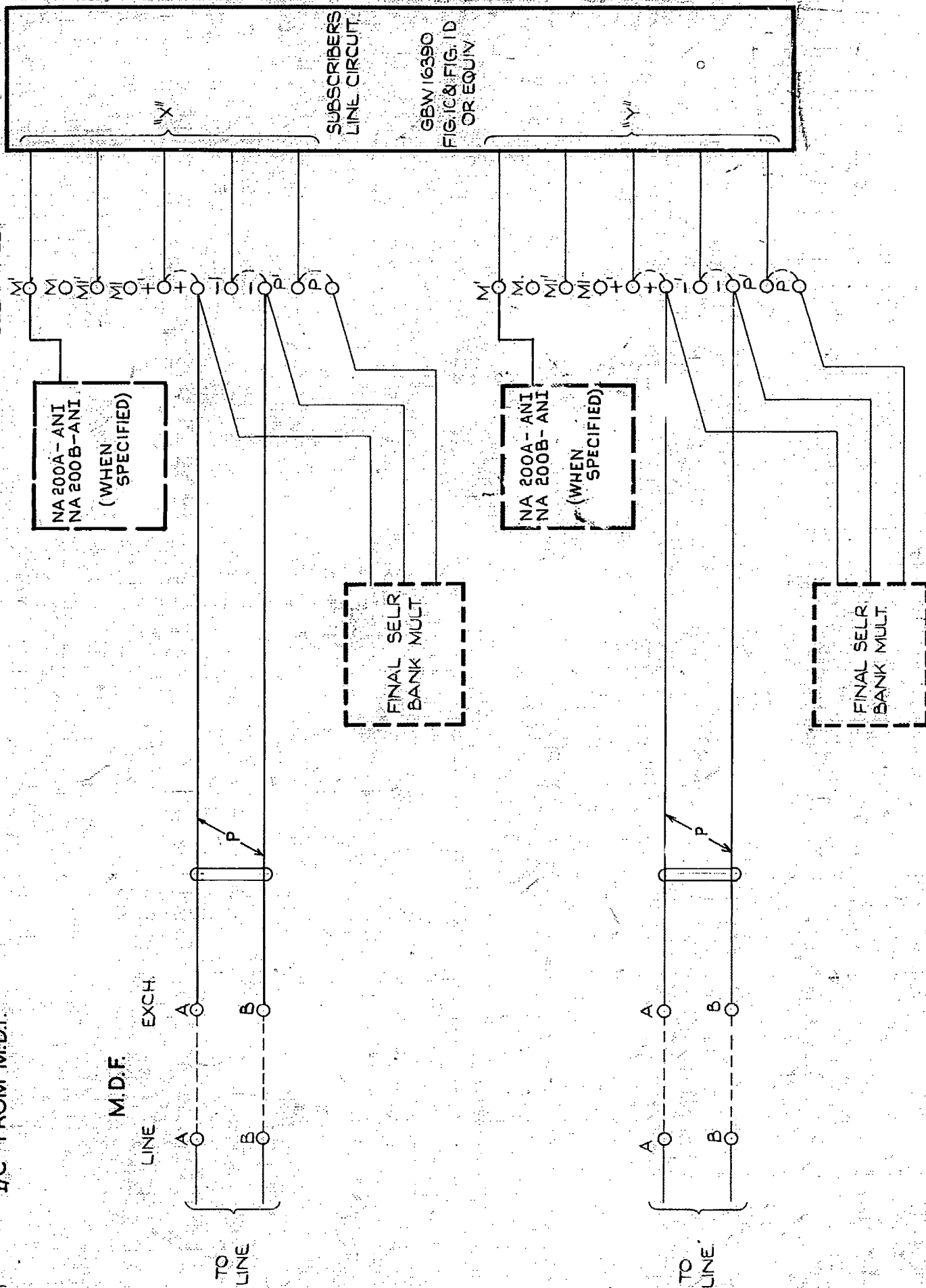


FIG. A EXCLUSIVE SERVICE WITH ANI
I/C FROM M.D.F.

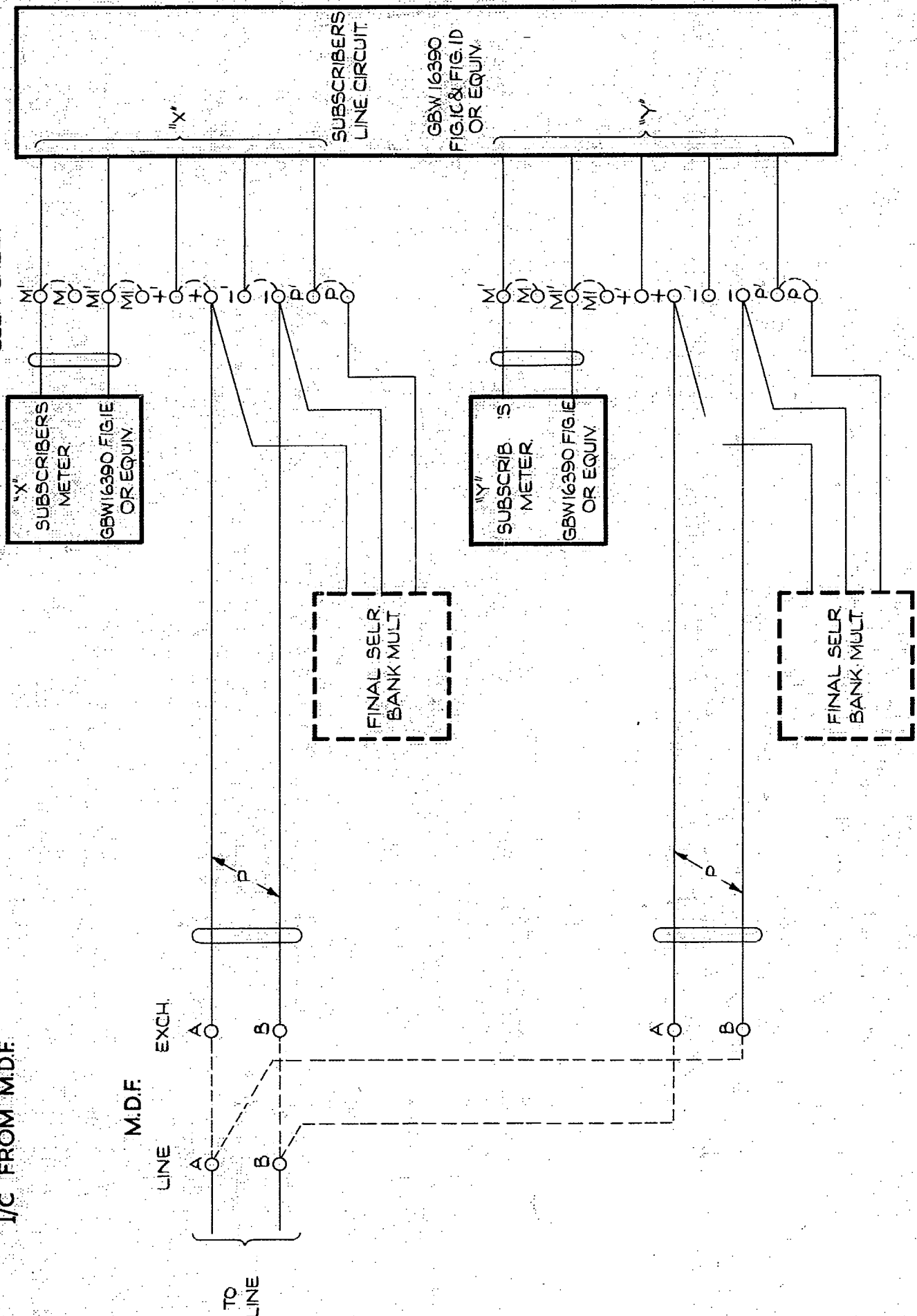
TAGS AT REAR
OF FINAL
SELR SHELF



					SUBSCRIBERS LINES CIRCUIT SHARED SERVICE WITH SUBSCRIBERS DISCONNECT	
SHEET 9 ADDED, SHT 1 AMD. (63701) 2A 24.2.81 LTF					COMPOSITE U/S & F/S RACKS 2000 TYPE.	
SHEET 8 ADDED. (81135) 2 4.4.68						
(69894) 1 31.1.64 DBX						
AMENDMENT PARTICULARS				ISSUE	DATE	APPD
						50V C
N.Z.P.O.				D.M.C.D. 8/6		GBX 16390
				8-3-63		SHT. 1-9

FIG. B SHARED SERVICE
I/C FROM M.D.F.

TAGS AT REAR
OF FINAL
SELR. SHELF.



					SUBSCRIBERS LINES CIRCUIT SHARED SERVICE WITH SUBSCRIBERS DISCONNECT POSITIVE BATTERY METERING COMPOSITE U/S & F/S RACKS 2000 TYPE.		
SHT 9 ADDED, 9HT 1 AMD.	(63701)	2A	24.2.81	LTF			
SHEET 8 ADDED.	(81135)	2	4.4.68	<i>LL</i>			
	(69894)	1	31.1.63	<i>LL</i>			
AMENDMENT PARTICULARS			ISSUE	DATE	APPD	50V C	
N.Z.P.O.		D.M.C.D. <i>o/c</i>	<i>W.T.</i>	<i>Jm</i>	GBX 16390	SHT 2-9	
				8-3-63			

FIG.C O/G TO GROUP SELECTOR
VIA I.D.F. LOCAL.

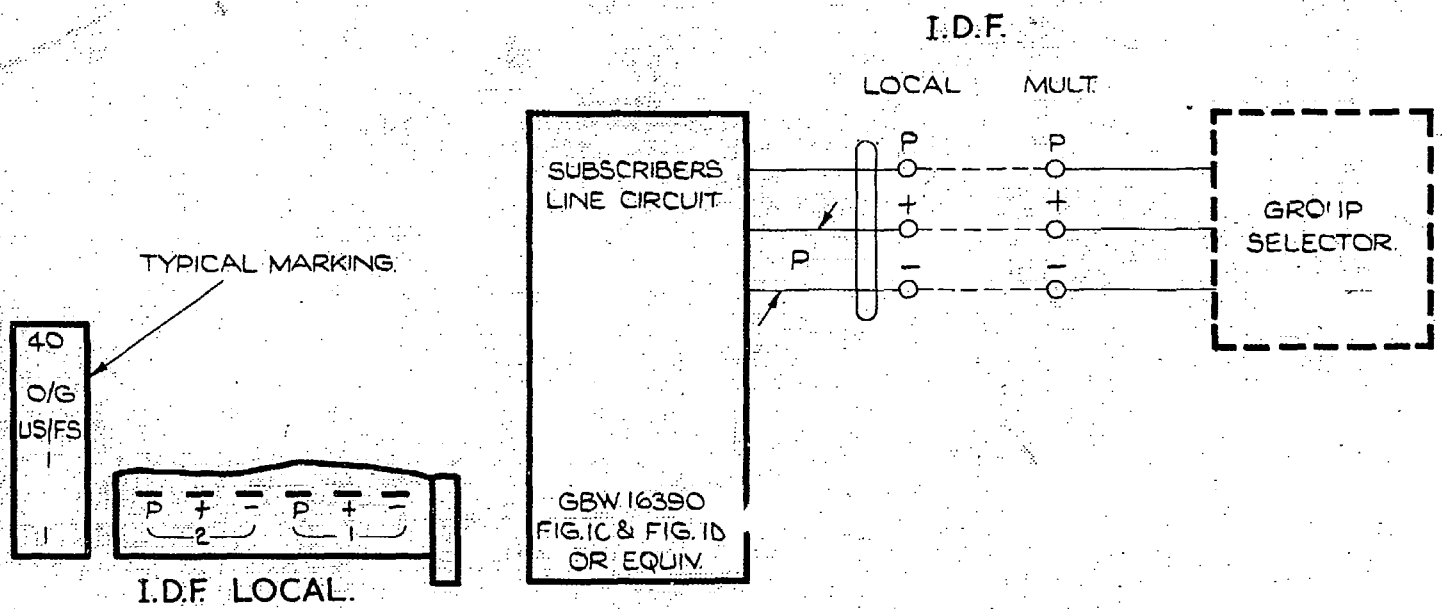
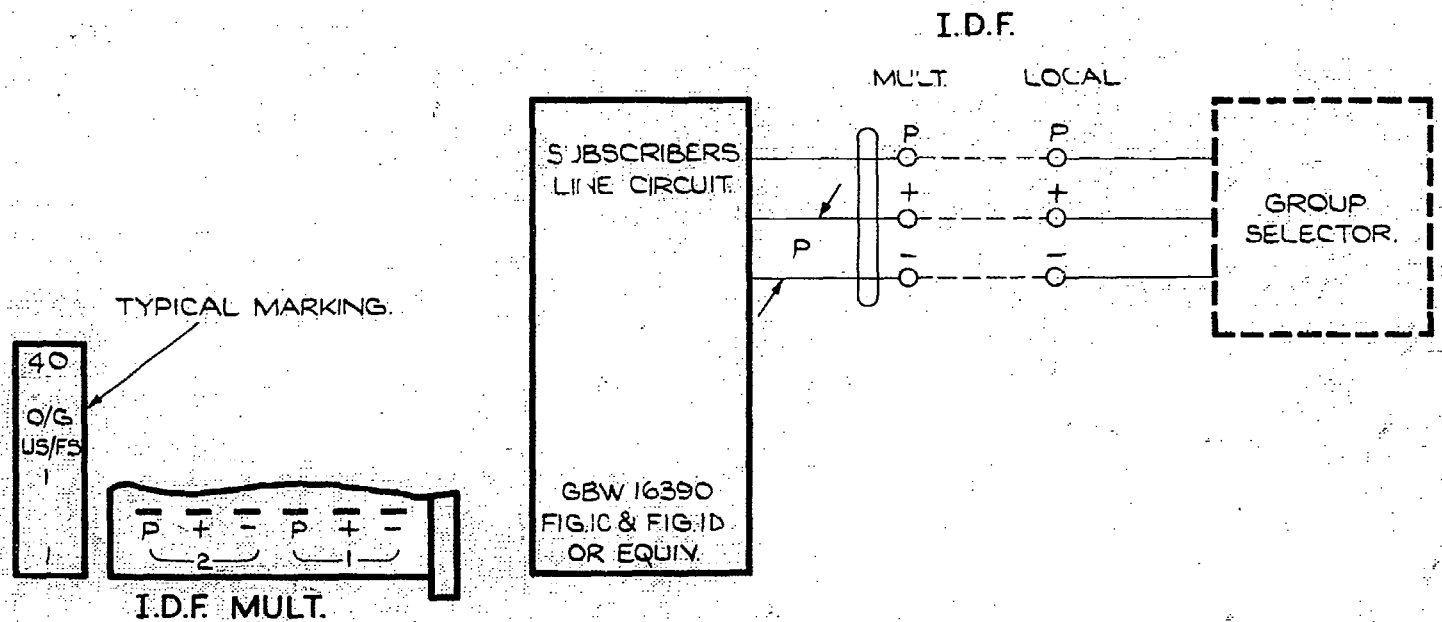
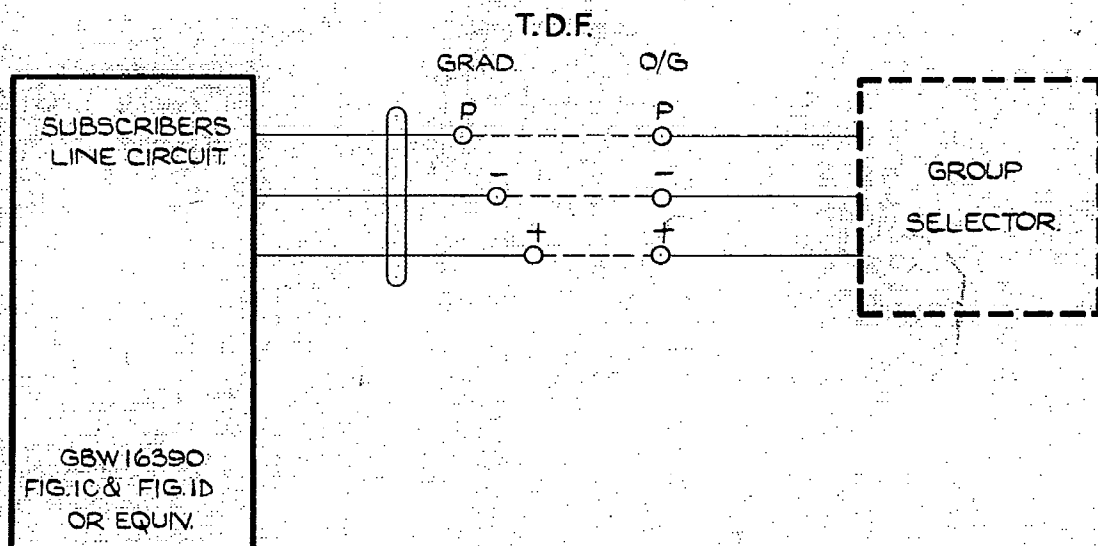


FIG.D O/G TO GROUP SELECTOR
VIA I.D.F. MULT.



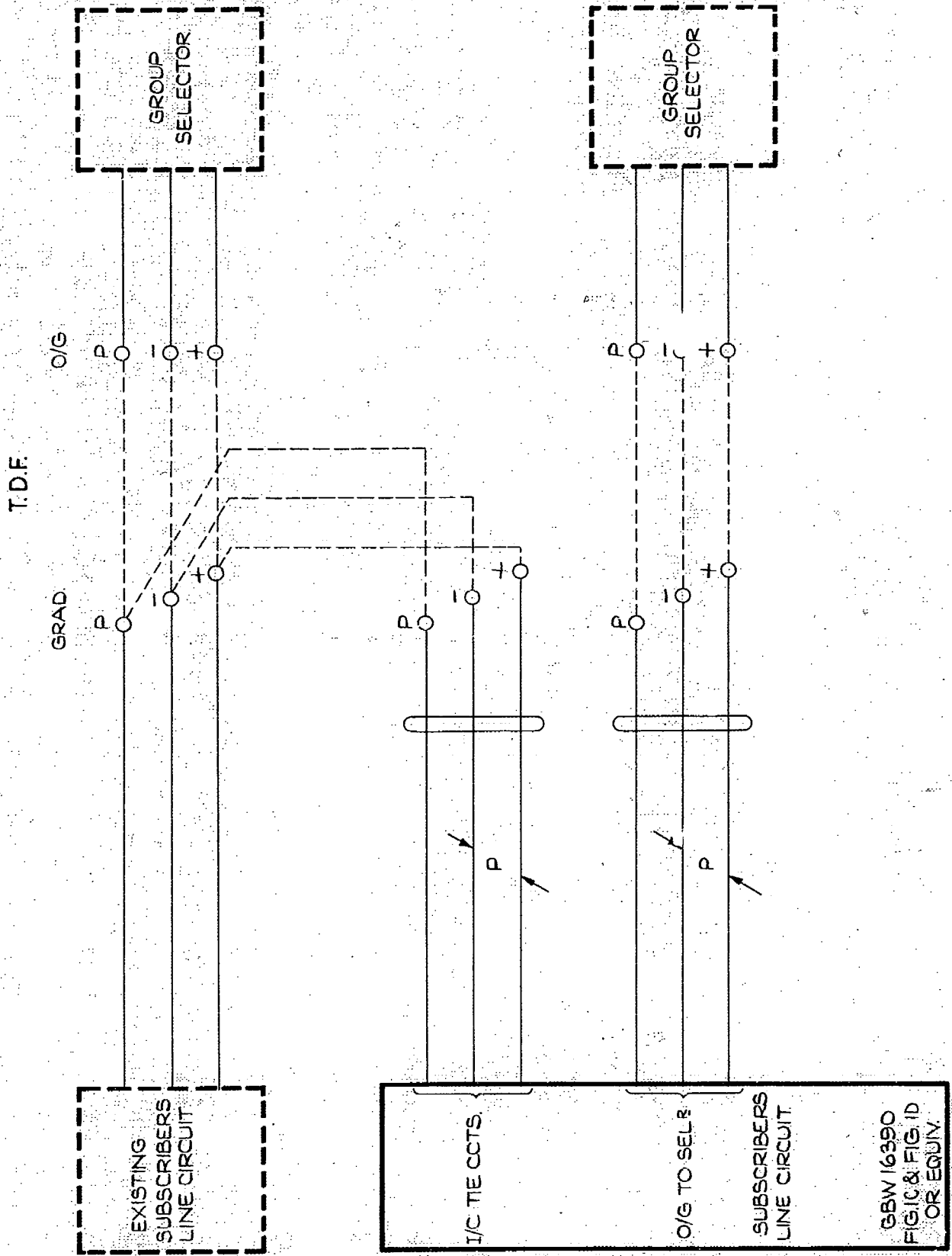
					SUBSCRIBERS LINES CIRCUIT SHARED SERVICE WITH SUBSCRIBERS DISCONNECT POSITIVE BATTERY METERING COMPOSITE U/S & F/S RACKS 2000 TYPE.						
SHT 2 ADDED, SHT 1 AMD:								(63701)	2A	24.2.81	LTF
SHEET B ADDED.								(81135)	2	4.4.68	<i>ll</i>
								(69894)	1	31.1.64	<i>DBK</i>
AMENDMENT PARTICULARS						ISSUE	DATE	APPD	50V	C	
N.Z.P.O.						D.M.C.D. <i>8/6</i>		<i>EST</i>		GBX 16390	
								<i>8-3-63</i>		SHT.3-9	

FIG. E NEW GRADINGS (AT EXISTING EXCHANGES WITH DIRECT CABLING)
 WITH COMPOSITE U/S & F/S RACKS.
 O/G TO GROUP SELECTORS VIA T.D.F.
 USING THE T.D.F. AS AN I.D.F.



					SUBSCRIBERS LINES CIRCUIT SHARED SERVICE WITH SUBSCRIBERS DISCONNECT POSITIVE BATTERY METERING COMPOSITE U/S & F/S RACKS 2000 TYPE.		
SHT 9 ADDED, SHT 1 AMD	(63701)	2A	24.2.81	LTF			
SHEET 8 ADDED.	(81135)	2	4.4.68	<i>LL</i>			
	(59894)	1	31.1.64	<i>BB</i>			
AMENDMENT PARTICULARS			ISSUE	DATE	APPD	50V	C
					GBX 16390		
N.Z.P.O.		D.M.C.D. <i>DJC</i>	<i>W.T.</i>	<i>Sh</i>	8-3-63	SHT 4-9	

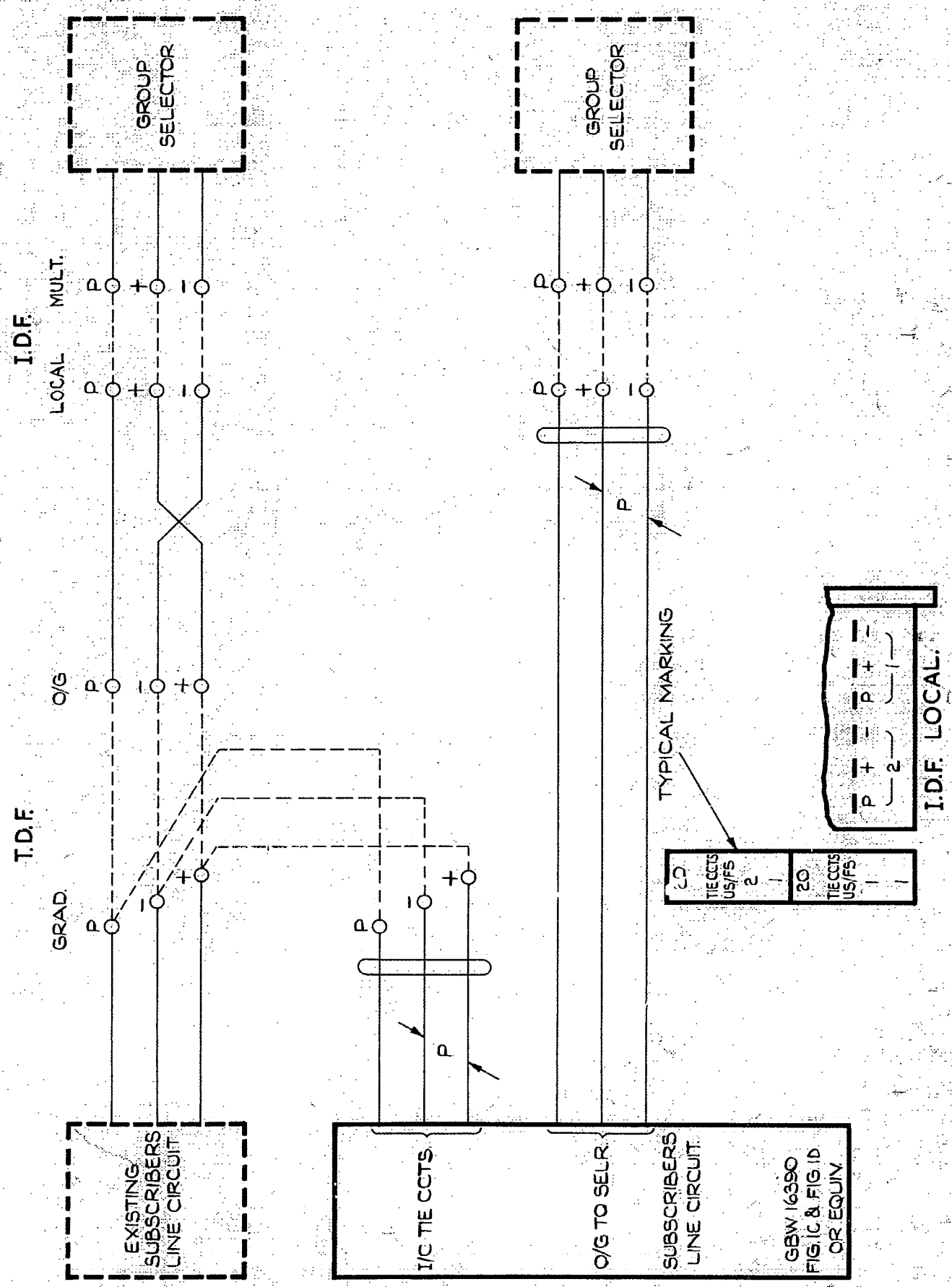
FIG.F EXTENSION OF EXISTING GRADINGS WITH
 COMPOSITE U/S & F/S RACKS.
 O/G TO GROUP SELECTORS VIA T.D.F.



GBW 16390
 FIG. C & FIG. D
 OR EQUIV.

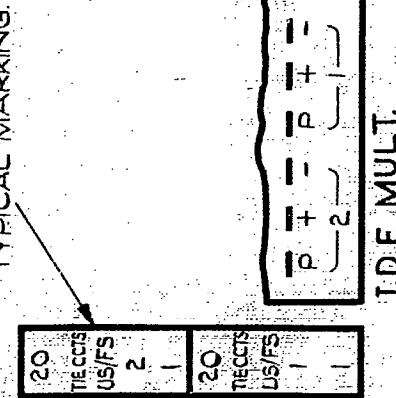
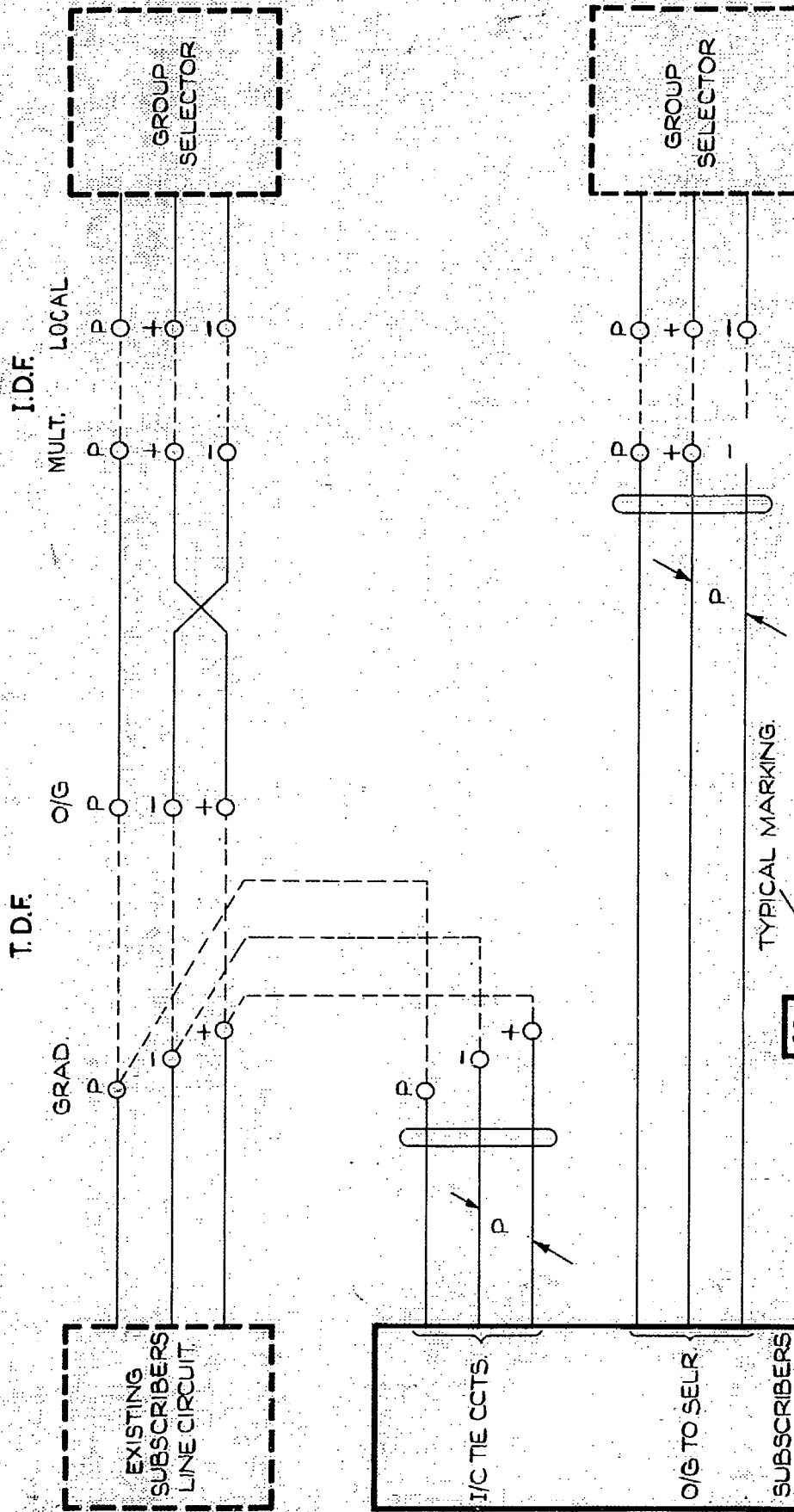
					SUBSCRIBERS LINES CIRCUIT SHARED SERVICE WITH SUBSCRIBERS DISCONNECT POSITIVE BATTERY METERING COMPOSITE U/S & F/S RACKS 2000 TYPE.		
SHT 9 ADDED, SHT 1 AMD.	(63701)	2A	24.7.81	LTF			
SHEET 8 ADDED	(81199)	2	4.4.68	<i>[Signature]</i>			
	(69894)	1	31.1.64	<i>[Signature]</i>			
AMENDMENT PARTICULARS			ISSUE	DATE	APPD	50V C	
N.Z.P.O.		D. MED. <i>[Signature]</i>	W.F.	<i>[Signature]</i>	8-3-63	GBX 16390	
						SHT. 5-9	

FIG. G EXTENSION OF EXISTING GRADINGS WITH
 COMPOSITE U/S & F/S RACKS.
 O/G TO GROUP SELECTORS VIA T.D.F. & I.D.F. LOCAL.



					SUBSCRIBERS LINES CIRCUIT SHARED SERVICE WITH SUBSCRIBERS DISCONNECT POSITIVE BATTERY METERING COMPOSITE U/S & F/S RACKS 2000 TYPE.		
SHT 9 ADDED, SHT 1 AMD.	(63701)	2A	24.2.81	LTF			
SHEET 8 ADDED	(81135)	2	4.4.88	<i>[Signature]</i>			
	(69894)	1	31.1.64	<i>[Signature]</i>			
AMENDMENT PARTICULARS			ISSUE	DATE	APPD	50V C	
NZ.P.O.		D.M.E.D. <i>[Signature]</i>	WT	<i>[Signature]</i>	GBX 16390	SHT 6-9	

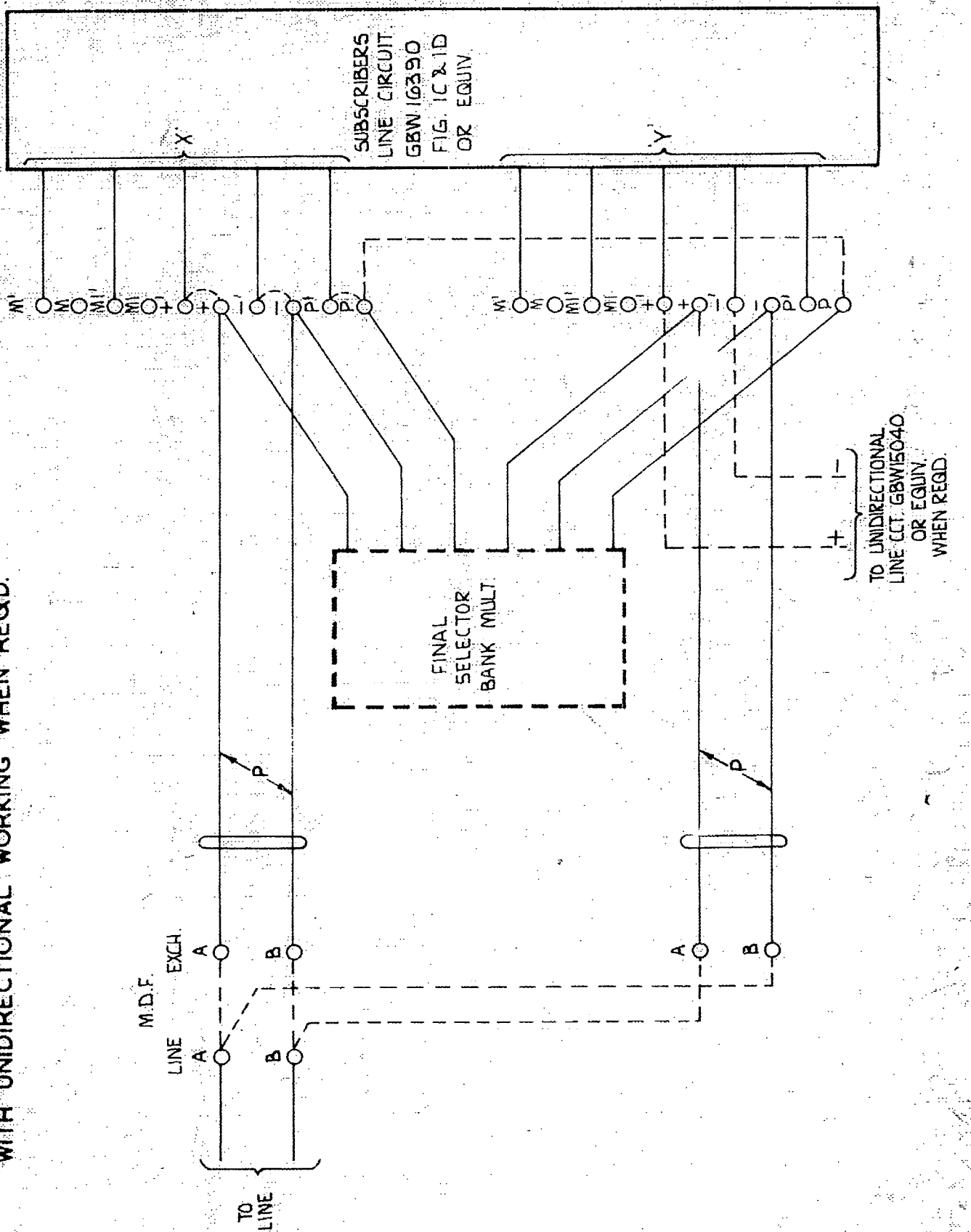
FIG.H EXTENSION OF EXISTING GRADINGS WITH
COMPOSITE U/S & F/S RACKS
O/G TO GROUP SELECTORS VIA T.D.F. & I.D.F. MULT.



SHT 9 ADDED, SHT 1 AMD					(63701)	2A	24.2.81	LTF	SUBSCRIBERS LINES CIRCUIT SHARED SERVICE WITH SUBSCRIBERS DISCONNECT POSITIVE BATTERY METERING COMPOSITE U/S & F/S RACKS 2000 TYPE.
SHEET 8 ADDED					(81135)	2	4.4.68	RR	
					(69894)	-1	31.1.64	DBH	
AMENDMENT PARTICULARS						ISSUE	DATE	APPD	50V C
NZ.P.O.		D.M.S.D. 2/6							GBX 16390
									SHT. 7-9

FIG. J

**TWO-PARTY LINE WORKING. I/C FROM M.D.F.
WITHOUT METERING
WITH UNIDIRECTIONAL WORKING WHEN REQD.**



SHT 9 ADDED, SHT 1 AMD.	(63701)	2A	24.2.81	LTF
	(81135)	2	4.4.68	GR
AMENDMENT PARTICULARS	ISSUE	DATE	APPD	
N.Z.P.O.	CR D.M.F.D.	R.G.	6-12-67	

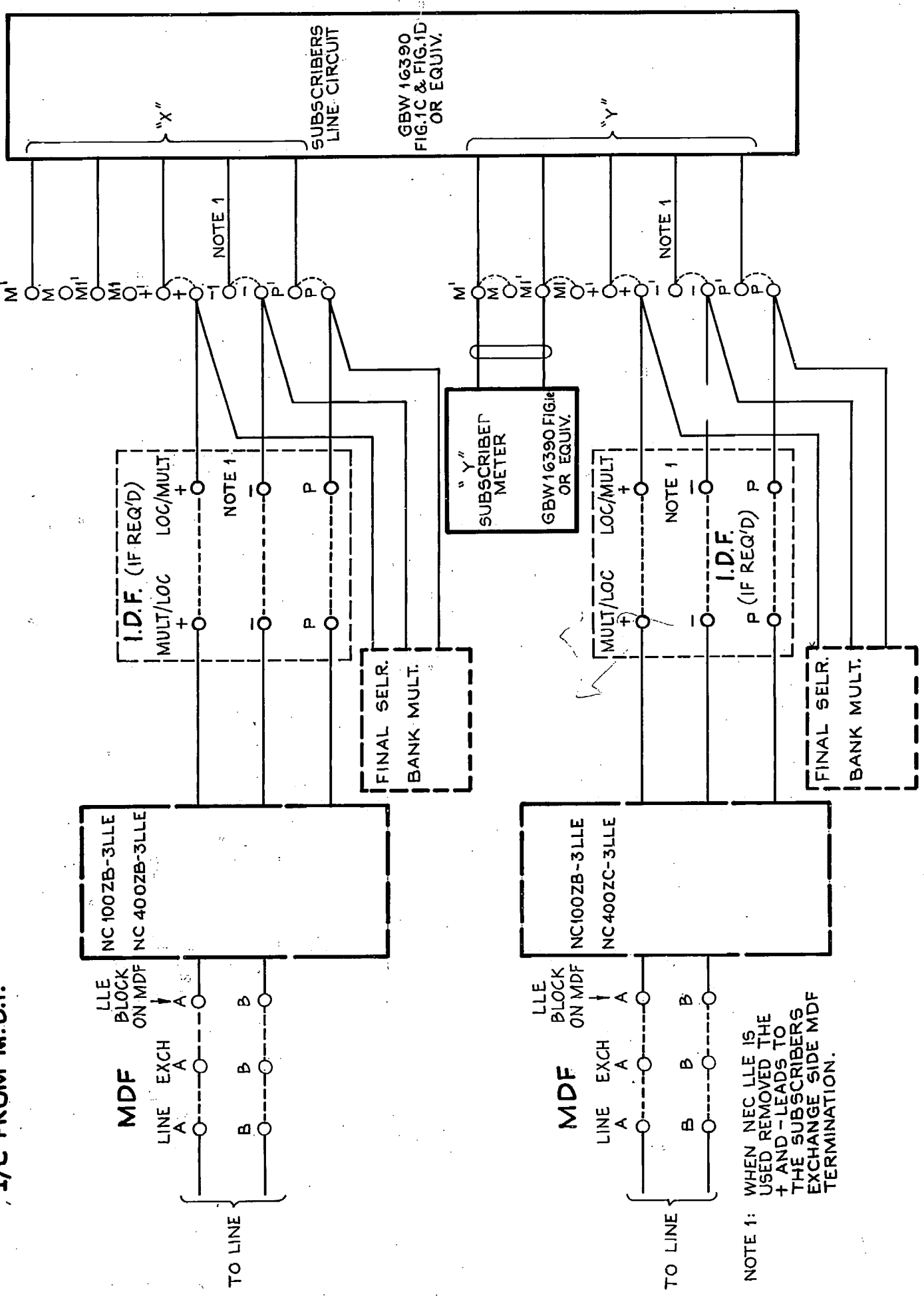
**SUBSCRIBERS LINES CIRCUIT
SHARED SERVICE WITH
SUBSCRIBERS DISCONNECT
POSITIVE BATTERY METERING
COMPOSITE U/S & F/S RACKS
2000 TYPE.**

GBX 16390

SHT 8-9

**FIG. K EXCLUSIVE SERVICE WITH NEC LLE
I/C FROM M.D.F.**

TAGS AT REAR
OF FINAL
SELR SHELF



NEW SHT, NEC LLE & ANI CONNECTIONS SHOWN, SHT 1 AMD.	2A	24. 2. 81	LTF
AMENDMENT PARTICULARS	ISS	DATE	APD.
N.Z.P.O.			

**SUBSCRIBERS LINES CIRCUIT
SHARED SERVICE WITH
SUBSCRIBERS DISCONNECT
COMPOSITE U/S & F/S RACKS
2000 TYPE**

50 V

GBX 16390

SHT.9-9