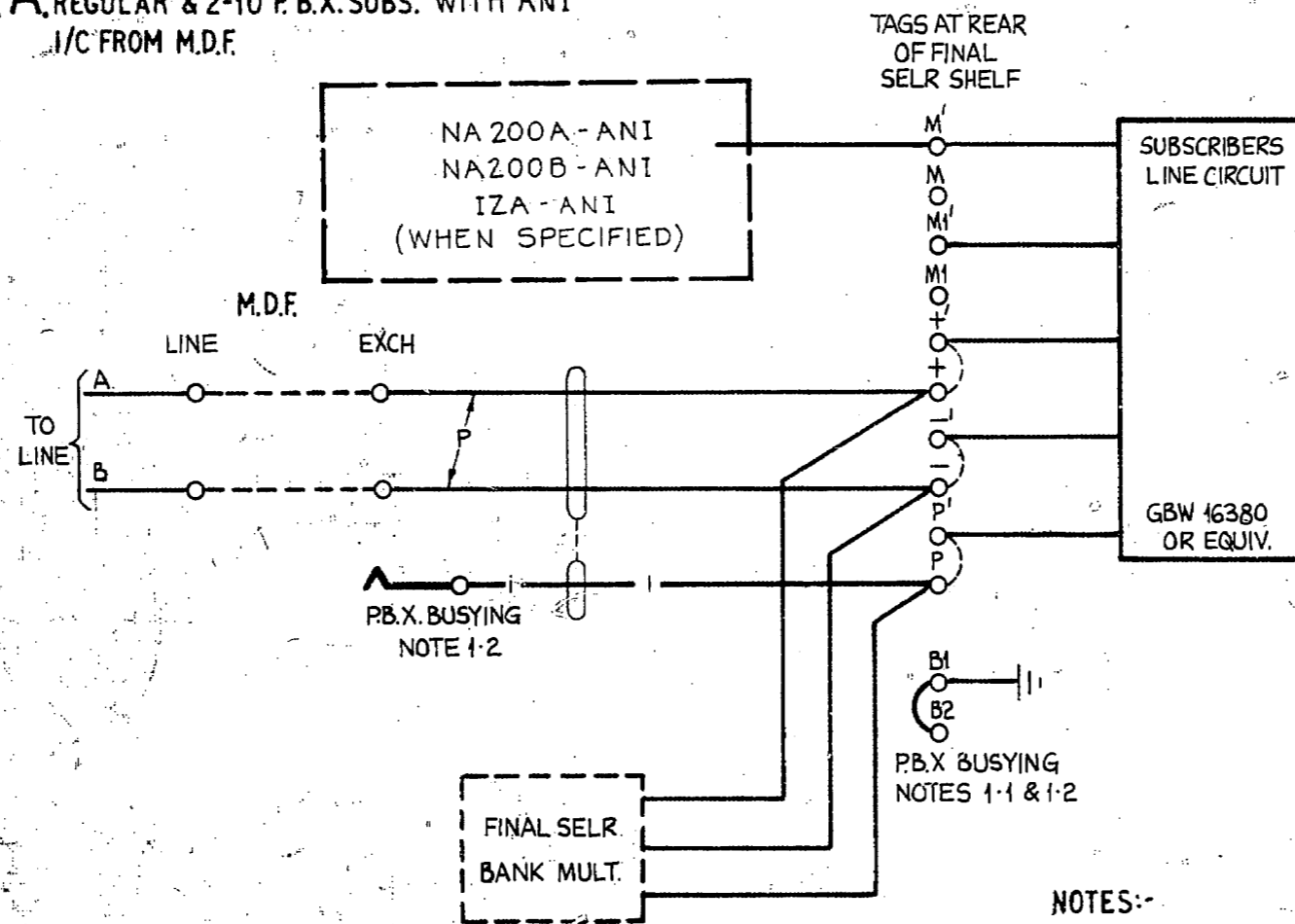


**FIG. A. REGULAR & 2-10 P.B.X. SUBS. WITH ANI
I/C FROM M.D.F.**

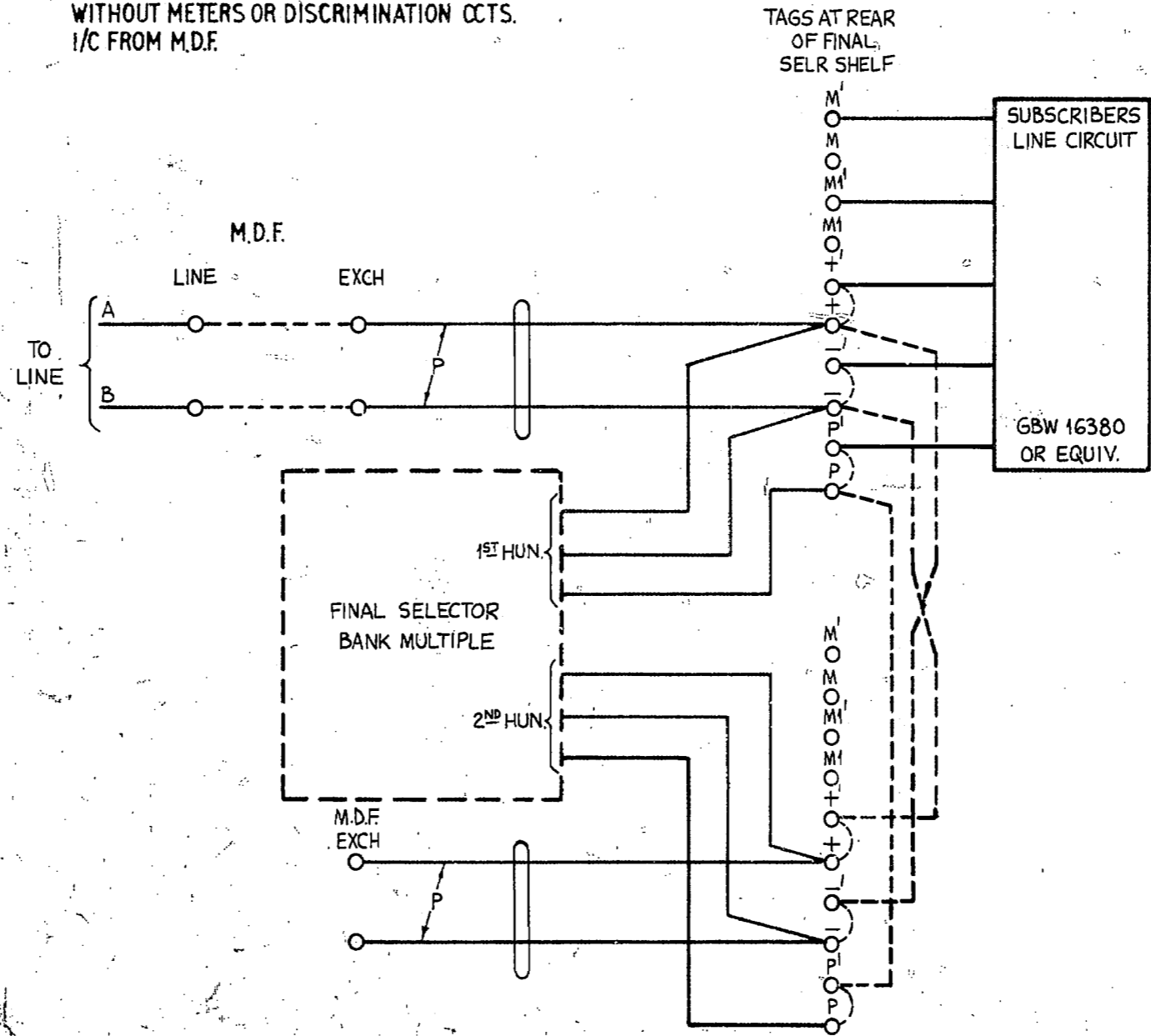


NOTES:-

- 1-1 FOR P.B.X. BUSYING TRANSFER LINK FROM B1-B2 TO B1-P.
- 1-2 AT L (CHANGES WITH FLOOR TYPE M.D.F. USE P.B.X. BUSYING JACKS ON M.D.F.
AT EXCHANGES WITH RACK TYPE M.D.F. OR FLOOR TYPE M.D.F. FITTED WITH TEST JACKS N^o 32, USE P.B.X. BUSYING AT REAR OF FINAL SELR SHELF.

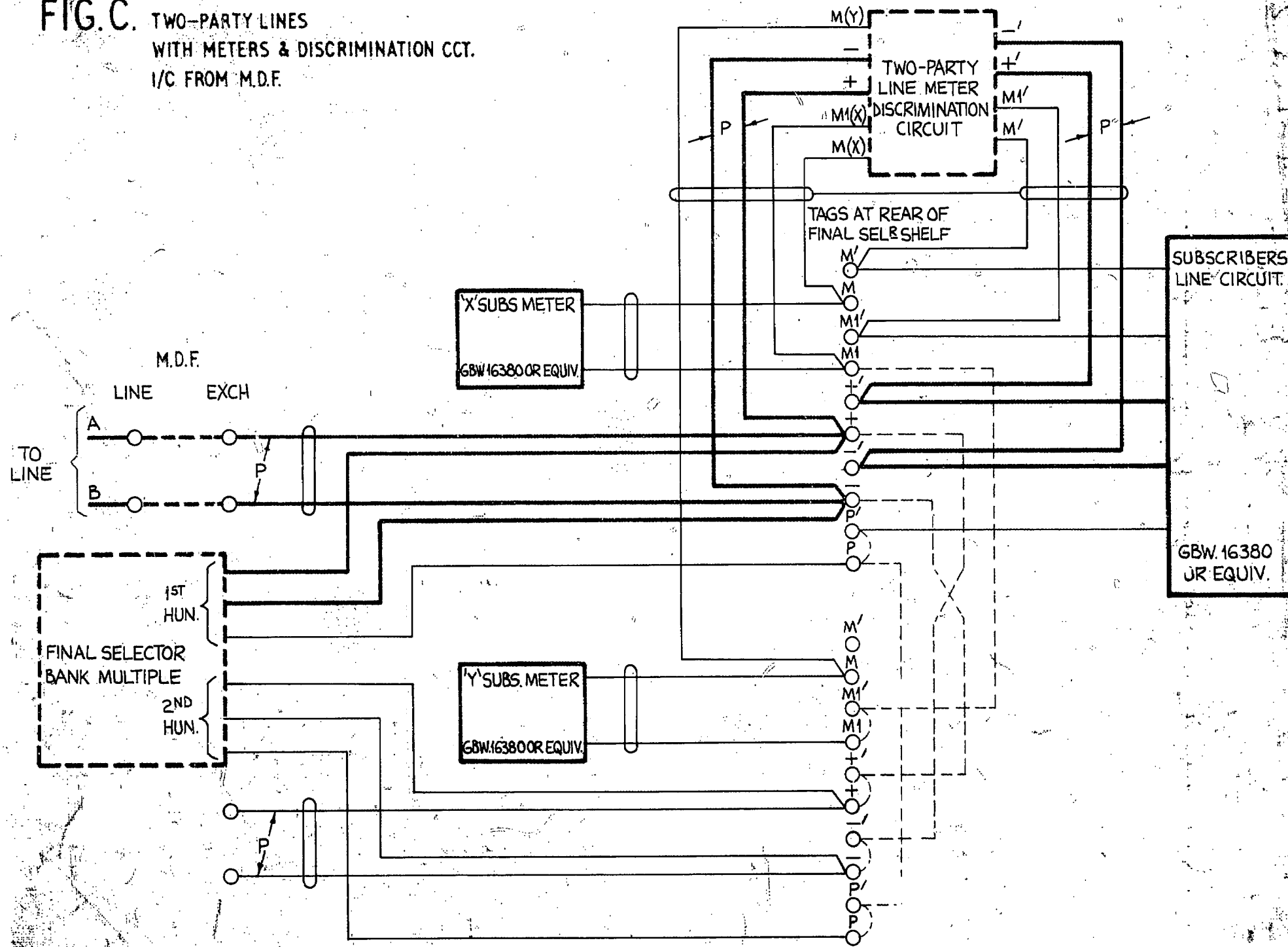
				SUBSCRIBERS LINE CIRCUIT WITH SUBSCRIBERS DISCONNECT	
				COMPOSITE U/S & F/S RACKS 2000 TYPE	
NEC LLE & ANI CONNECTIONS SHOWN				SHT. 10 ADDED	3A 5-3-61 JR
REF. TO SHT. 9 ADDED				(996-3)	3 19-3-73 BS-J
NO CHANGE ISSUE ADVANCED				(9991)	2 9-9-68
				(72896)	1 18-5-64
AMENDMENT PARTICULARS				ISSUE DATE	APPD REF-ES 124
NZPO				16380 GBX	
				SHT. 1-10	

FIG. B. TWO-PARTY LINES
 WITHOUT METERS OR DISCRIMINATION CCTS.
 I/C FROM M.D.F.



					SUBSCRIBERS LINE CIRCUIT				
					WITH				
					SUBSCRIBERS DISCONNECT				
SHT. 10 ADDED	(70500)	3A	5.3.81	JR	COMPOSITE U/S & F/S RACKS 2000 TYPE				
REF TO SHT. 9 ADDED	(99668)	3	19.3.73	86-H					
NO CHANGE: ISSUE ADVANCED	(9991)	2	9.9.68	SR					
	(72826)	1	18.5.64	DBH					
AMENDMENT PARTICULARS					ISSUE	DATE	APPD	REF-ES.124	C
N.Z.P.O.					GBX 16380			SHT 2-10	

FIG. C. TWO-PARTY LINES WITH METERS & DISCRIMINATION CCT. I/C FROM M.D.F.



SUBSCRIBERS LINE CIRCUIT WITH SUBSCRIBERS DISCONNECT			
SHT. 10 ADDED	(70500)	3A	5.3.81 JR.
REF TO SHT. 9 ADDED	(996.9)	3	19.3.73 B.S.M.
NO CHANGE ISSUE ADVANCED	(999.1)	2	9.8.68 <i>LR</i>
	(12896)	1	18.5.64 <i>BRK</i>
AMENDMENT PARTICULARS		ISSUE DATE	APPD REF-ES124
NZPO		EM	GBX 16380
		WT	SHT 3-10

FIG. D O/G TO GROUP SELECTOR OR D.S.R. VIA I.D.F. LOCAL

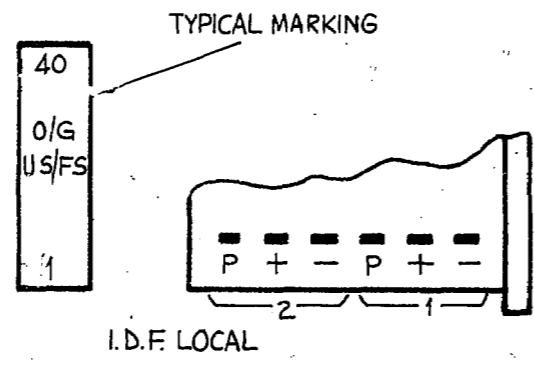
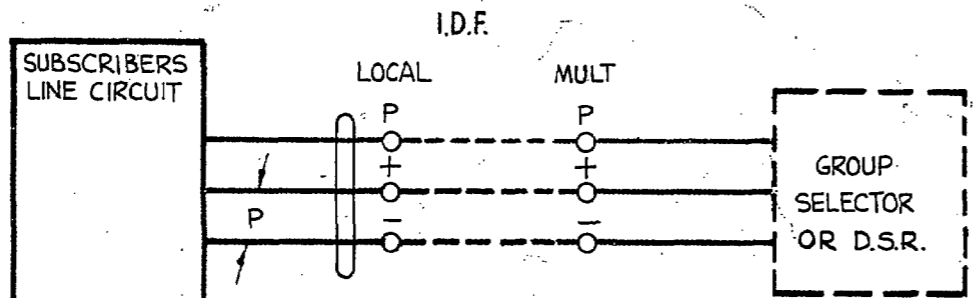
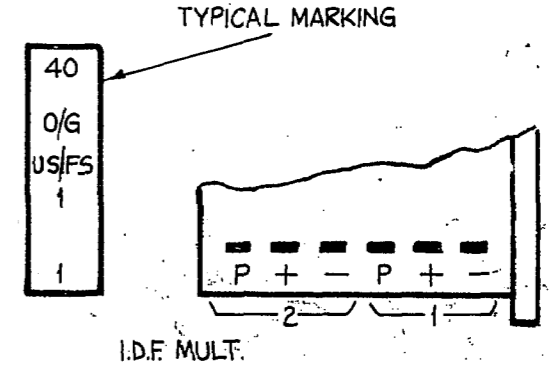
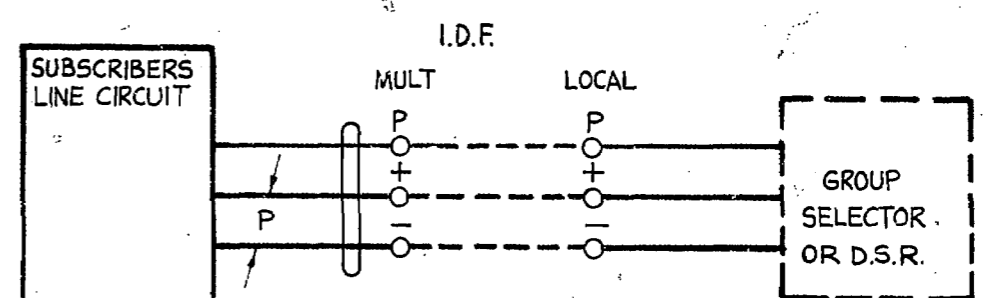
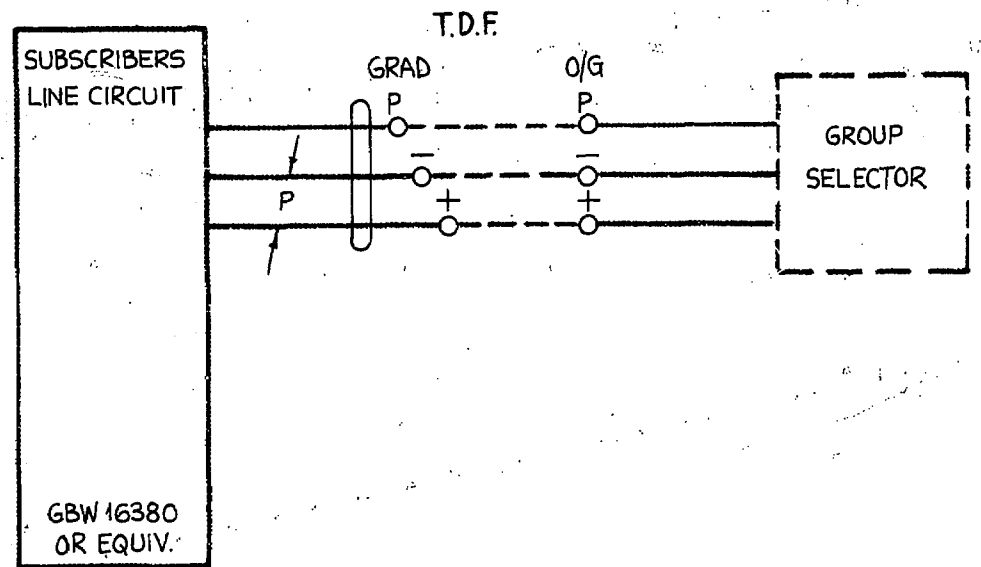


FIG. E O/G TO GROUP SELECTOR OR D.S.R. VIA I.D.F. MULT.



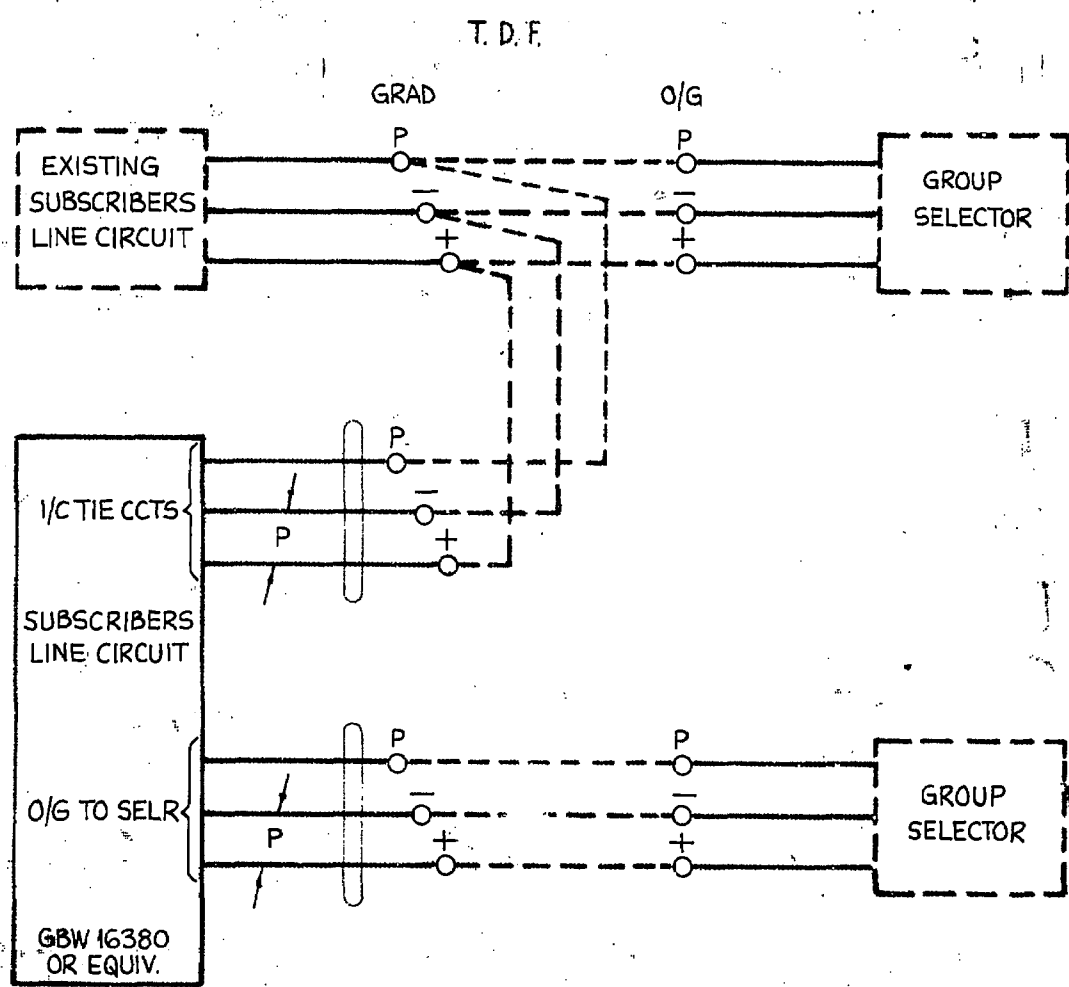
				SUBSCRIBERS LINE CIRCUIT WITH SUBSCRIBERS DISCONNECT			
				COMPOSITE U/S & F/S RACKS 2000 TYPE			
AMENDMENT PARTICULARS				ISSUE	DATE	APPD	REF. ES. 124
SHT. 10 ADDED (70500)				3A	5.3.81	JR	
REF. TO SHT. 9 ADDED (99668)				3	19.3.73	B.H.	
FIGS. D & E MINOR AMENDMENTS (9991)				2	9.9.68	JK	
				1	18.5.64	DBH	
NZ.P.O.				16380		GBX	
				20-3-63		SHT. 4-10	

FIG. F NEW GRADINGS (AT EXISTING EXCHANGES WITH DIRECT CABLING)
 WITH COMPOSITE U/S & F/S RACKS.
 O/G TO GROUP SELECTORS VIA T.D.F.
 USING THE T.D.F. AS AN I.D.F.



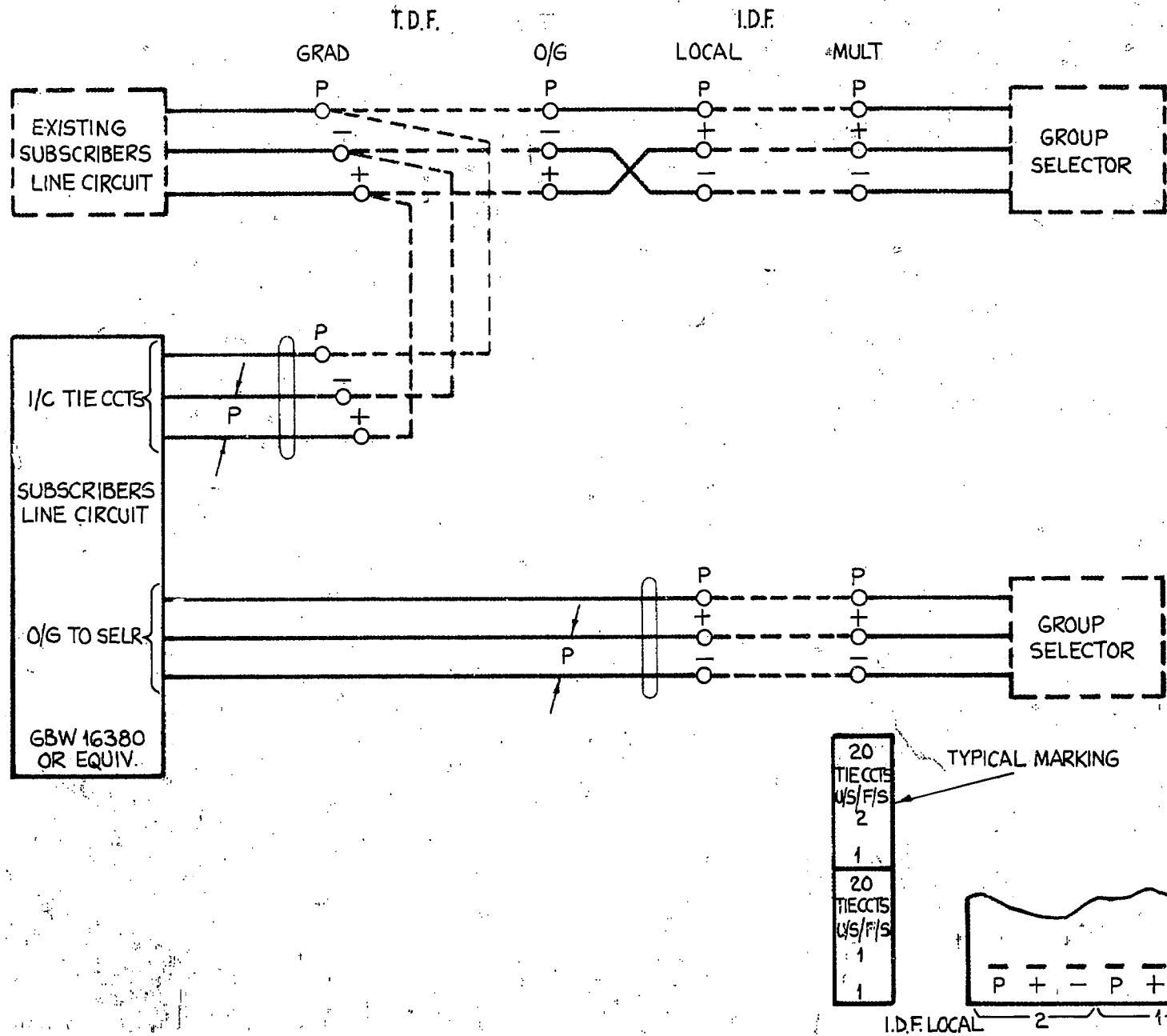
SUBSCRIBERS LINE CIRCUIT WITH SUBSCRIBERS DISCONNECT			
COMPOSITE U/S & F/S RACKS 2000 TYPE			
SHT. 10 ADDED	(70500)	3A	5-3-81 JR
REF. TO SHT. 9 ADDED	(99668)	3	19-3-73 B.S.H.
NO CHANGE. ISSUE ADVANCED	(9991)	2	9-9-68 AK
	(72826)	1	18-5-64 JEM
AMENDMENT PARTICULARS	ISSUE	DATE	APPD REF ES 124
N.Z.P.O.			GBX 16380
			SHT 5-10

FIG. G EXTENSION OF EXISTING GRADINGS WITH
COMPOSITE U/S & F/S RACKS.
O/G TO GROUP SELECTORS VIA T.D.F.



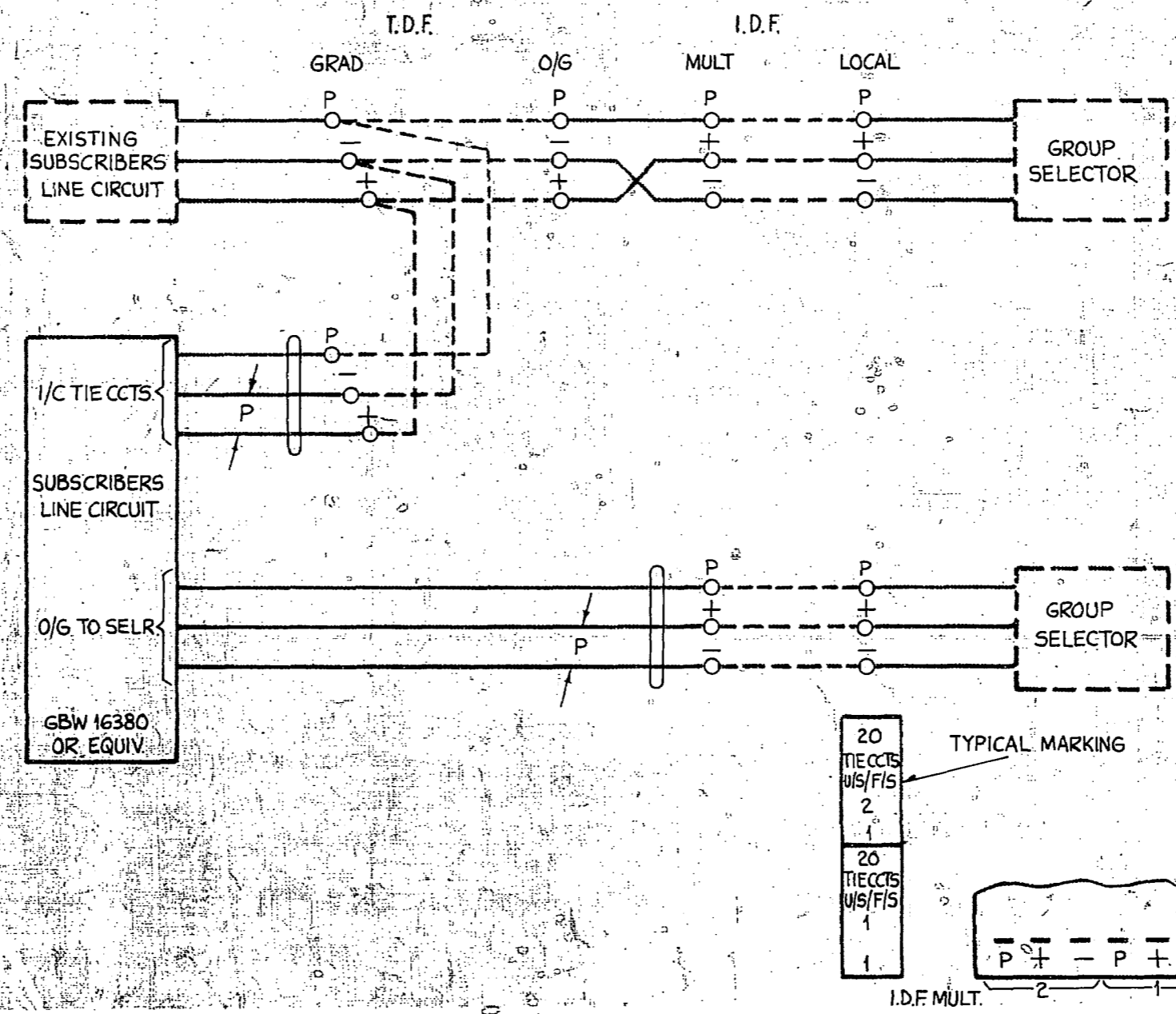
				SUBSCRIBERS LINE CIRCUIT WITH SUBSCRIBERS DISCONNECT	
5HT. 10 ADDED		3A	5.3.81	JR	
REF TO SHT. 9 ADDED	(99668)	3	19.3.73	B.S.H.	
NO CHANGE. ISSUE ADVANCED	(9991)	2	9.9.68		
	(72856)	1	18.5.64	GBK	
AMENDMENT PARTICULARS			ISSUE	DATE	APPD
					REF ES 124
					16380
N.Z. P.O.					GBX
					SHT 6-10

FIG. H EXTENSION OF EXISTING GRADINGS WITH
COMPOSITE U/S & F/S RACKS.
O/G TO GROUP SELECTORS VIA T.D.F. & I.D.F. LOCAL.



				SUBSCRIBERS' LINE CIRCUIT WITH SUBSCRIBERS' DISCONNECT	
SHT. 10 ADDED	(70500)	3A	5.3.81	JR	
REF TO SHT 9 ADDED	(99668)	3	19.3.73	BSH	
NO CHANGE. ISSUE ADVANCED	(99991)	2	9.9.68	GR	
	(72896)	1	18.5.64	DBX	
AMENDMENT PARTICULARS			ISSUE DATE	APPD	REF-ES/24
				16380	
N.Z. P.O.				GBX	
				SHT. 7-10	

FIG. J EXTENSION OF EXISTING GRADINGS WITH COMPOSITE U/S & F/S RACKS O/G TO GROUP SELECTORS VIA T.D.F. & I.D.F. MULT.

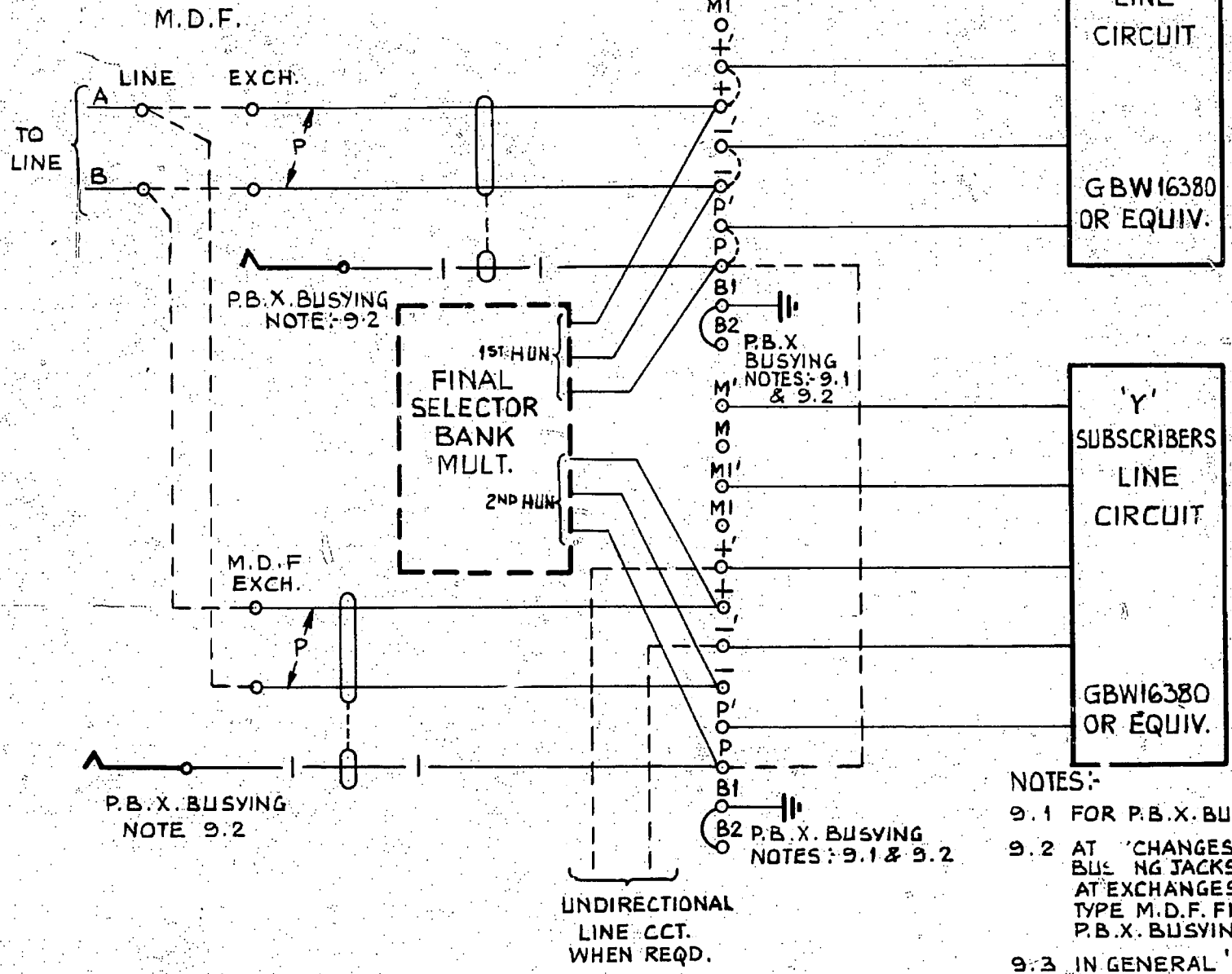


				SUBSCRIBERS LINE CIRCUIT WITH SUBSCRIBERS DISCONNECT			
SHT. 10 ADDED	(70500)	3A	5-3-81	JR	COMPOSITE U/S & F/S RACKS 2000TYPE		
REF TO SHT. 9 ADDED	(99668)	3	19-3-79	BS-H.			
NO CHANGE. ISSUE ADVANCED.	(9991)	2	9-9-68	BB			
	(72896)	1	18-5-64	BBH			
AMENDMENT PARTICULARS			ISSUE	DATE	APPD	REF.-ES 124	C
				16380			
N.Z.P.O.		ML	WJ	Jhi	GBX	SHT 8-10	
				20-3-63			

FIG.K

REGULAR OR 2-10 P.B.X. LINES
STRAPPED FOR TWO PARTY LINE WORKING
WITHOUT METERING WITH UNIDIRECTIONAL
WORKING WHEN REQUIRED.

TAGS AT REAR OF
FINAL SELR. SHELF.



- NOTES:-
- 9.1 FOR P.B.X. BUSYING TRANSFER LINK FROM B1-B2 TO B1-P.
 - 9.2 AT CHANGES WITH FLOOR TYPE M.D.F. USE P.B.X. BUSYING JACKS ON M.D.F. AT EXCHANGES WITH RACK TYPE M.D.F. OR FLOOR TYPE M.D.F. FITTED WITH TEST JACKS NO 32 USE P.B.X. BUSYING AT REAR OF FINAL SELR. SHELF.
 - 9.3 IN GENERAL 'X' PARTY EVEN NO 'Y' PARTY ODD NO USE 'X' PARTY U/S.

				SUBSCRIBERS LINE CIRCUIT WITH SUBSCRIBERS DISCONNECT	
				COMPOSITE U/S & F/S RACKS 2000 TYPE	
SHT. 10 ADDED	(70500)	3A	5-3-81	JR.	
	(99668)	3	19-3-73	B.S.H.	
AMENDMENT PARTICULARS				ISSUE	DATE
				APPD	REF. ES. 124
				GBX 16380	
NZPO		DRAWN	CHKD.	WIRING	CIRCUIT
		K.B.	M.	B.R.	
				SHT. 9-10	

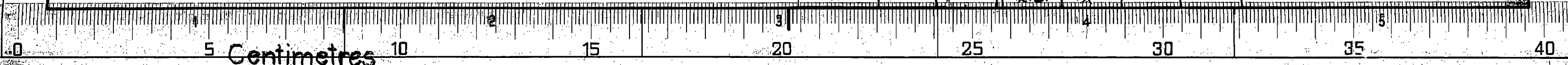
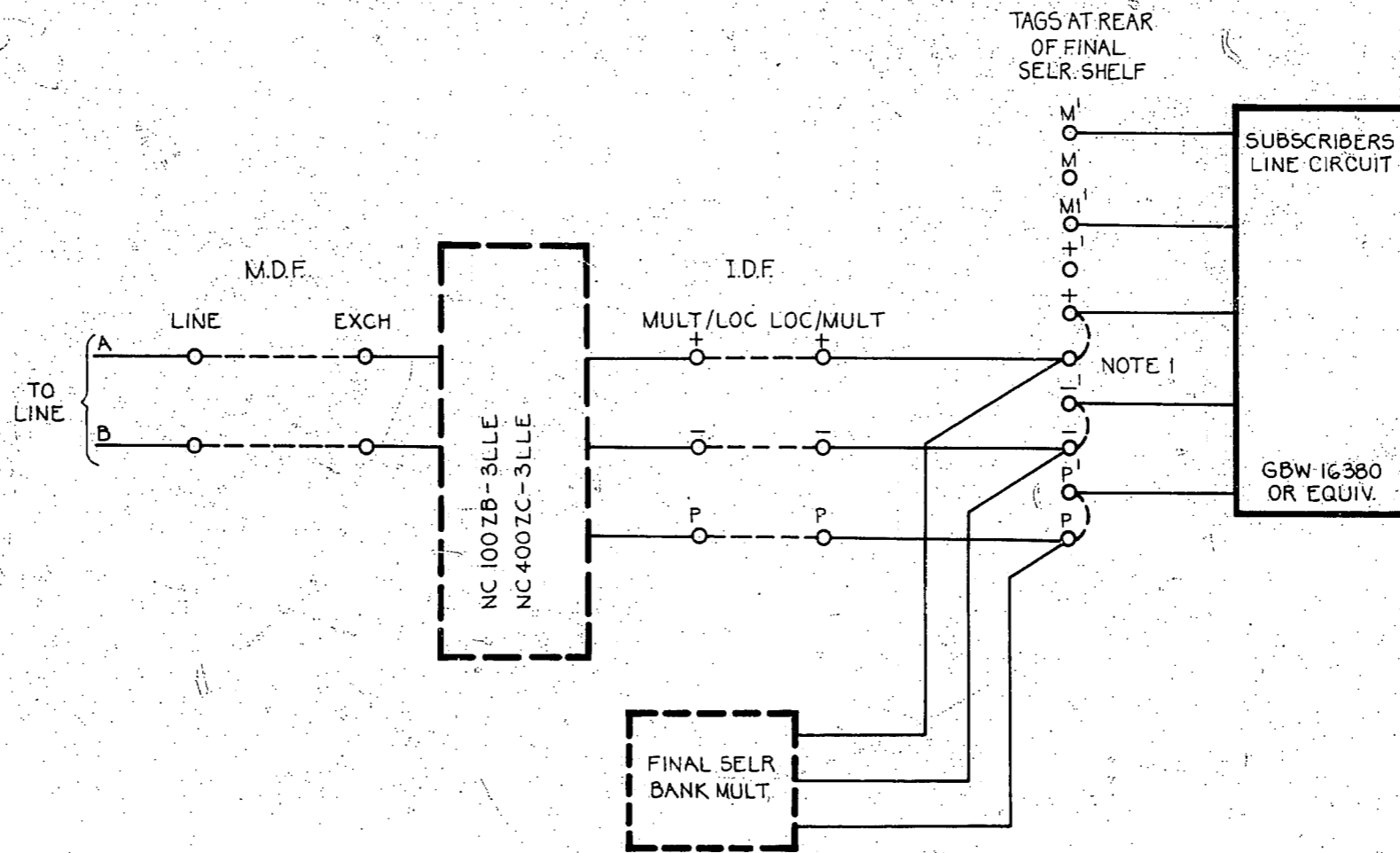


FIG. L REGULAR SUBSCRIBER WITH NEC LLE



NOTES

1. WHEN NEC LLE IS SPECIFIED PROVIDE CONNECTIONS SHOWN AND REMOVE + AND - TO SUBSCRIBERS M.D.F. EXCHANGE SIDE TERMINATION.

				SUBSCRIBERS LINE CIRCUIT WITH SUBSCRIBERS DISCONNECT COMPOSITE U/S & F/S RACKS 2000 TYPE			
(70500)				3A	5-3-81	JR	
AMENDMENT PARTICULARS				ISS	DATE	APD	REF-E5124
N.Z.P.O.				DRAWN	CHECKED	WIRING	CIRCUIT
							GBX 16380
							SHT. 10-10

UD 235

Centimetres

SHT. 10-10