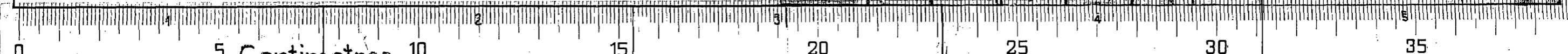


SUBSCRIBERS LINE CIRCUIT				
SHTS 12-15 ADDED	(70498)	4A	5.3.81	CTF
NOTES ON MI & M WIRES & SHTS 10 & 11 ADDED	(13272)	4	17.3.70	RW
SHTS 7, 8 & 9 ADDED	(53459)	3	12.8.68	DBK
SHTS 5 & 6 ADDED	(79994)	2	18.6.63	DBK
	(69211)	1	9.7.57	ABK
AMENDMENT PARTICULARS		ISSUE DATE	APPD	
<b>GBX 14800</b>				
NZ P.O.	DRAWN	CHECKED	WIRING	ENGRS
	700	5		

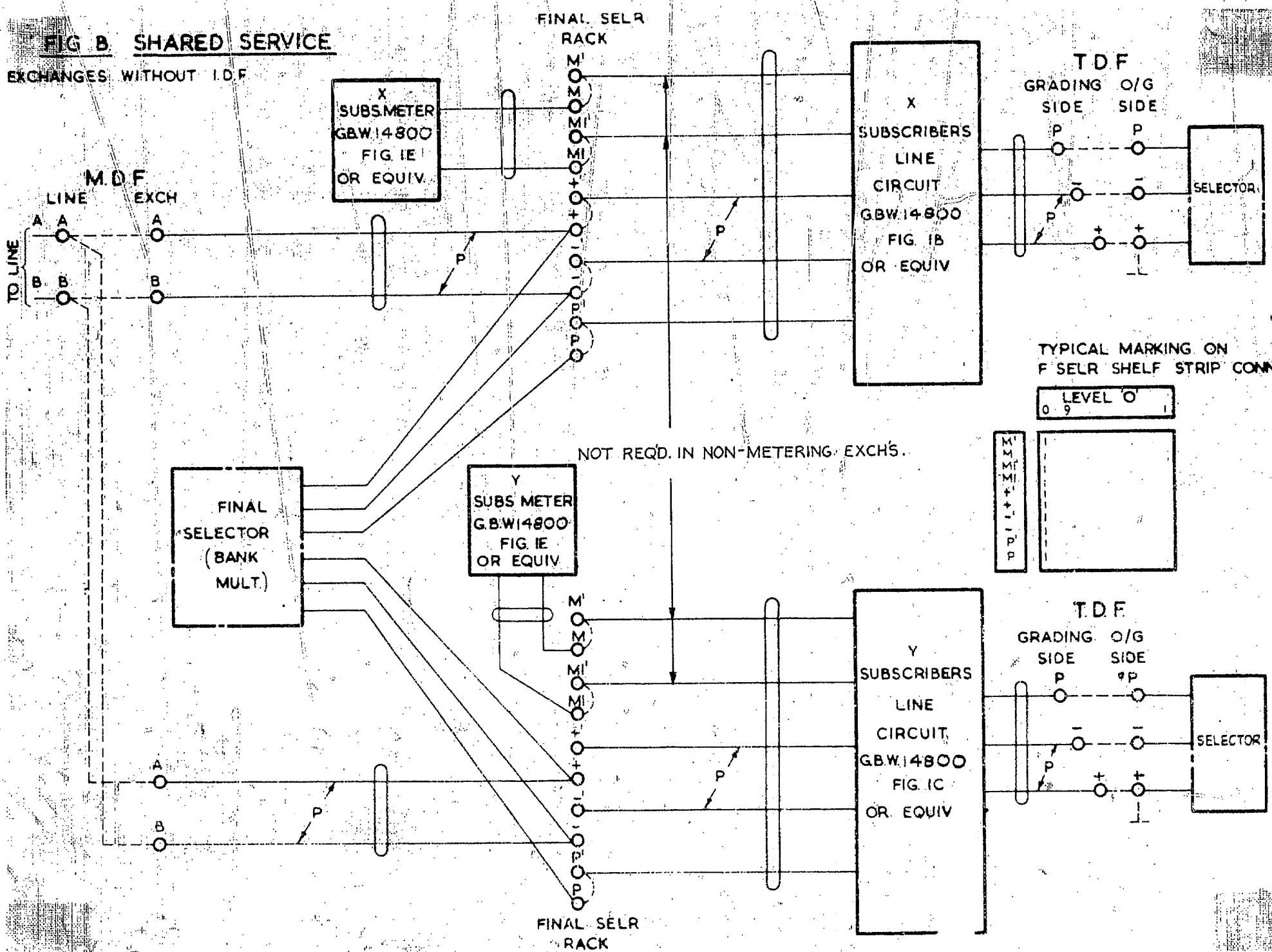
SHARED SERVICE WITH SUBSCRIBERS DISCONNECT & DOUBLE HOMING

SHEET 1-15

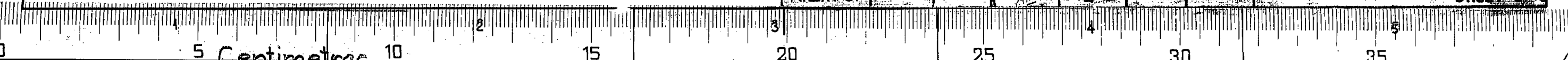


**FIG B SHARED SERVICE**

EXCHANGES WITHOUT I.D.F.



				<b>SUBSCRIBERS LINE CIRCUIT</b>	
SHTS 12-15 ADDED.	(70498)	4A	5.3.81	CTF	
NOTE ON MI & M WIRES & SHTS. 10&11 ADDED.	(13272)	4	17.2.70	Rw	
SHTS 7,8 & 9 ADDED	(53452)	3	12.8.66	DBH	
SHTS 5 & 6 ADDED	(79994)	2	18.6.63	DBH	
	(69211)	1	9.7.57	DBH	
AMENDMENT PARTICULARS			ISSUE DATE	APP'D	H
				<b>GBX14800</b>	
N.Z.P.O.	DRAWN	CHECKED	WIRED	ENGINEER	
	R.P.	J			



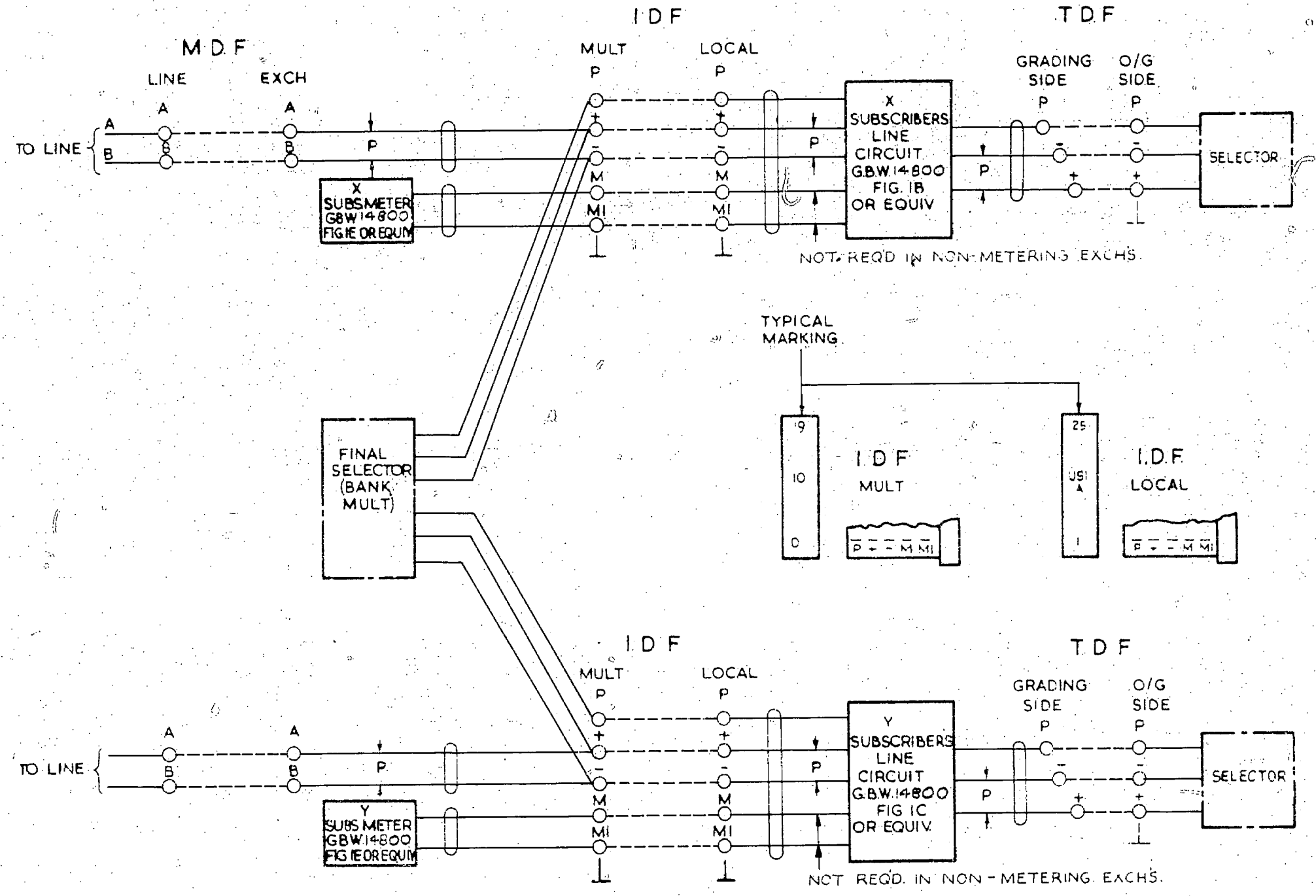
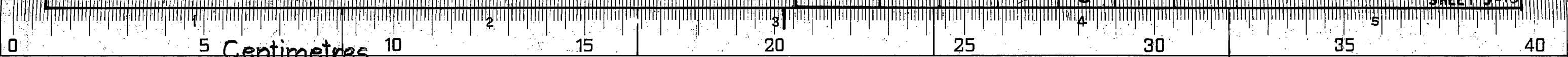


FIG C EXCLUSIVE SERVICE EXCHANGES WITH I.D.F.

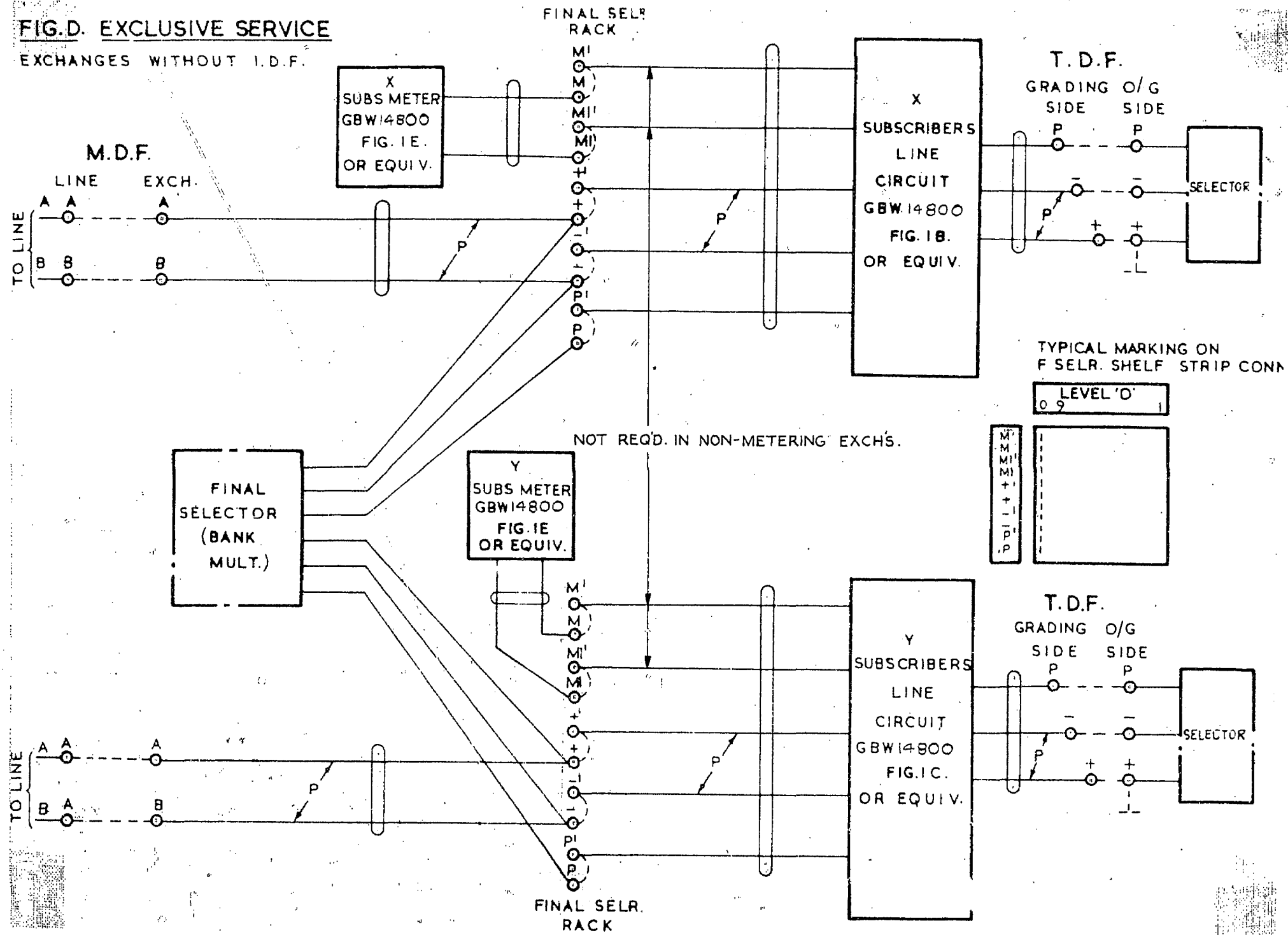
					SUBSCRIBERS LINE CIRCUIT		
SHTS 12-15 ADDED.		(10498)	4A	5.3.61	CTF		
NOTES ON MI & M WIRES & SHTS 10 & 11 ADDED.		3272		17.3.70	RW		
SHTS 7, 8 & 9 ADDED		(3488)		12.9.66	UBK		
SHTS 5 & 6 ADDED		(9994)	2	18.6.63	UBK		
		(69211)	1	9.7.57	JOG		
AMENDMENT PARTICULARS				ISSUE	DATE	APPD	
				GBX 14800			
N.Z.P.O.		DRAWN	CHECKED	WIRING	ENGRS		

GBX 14800



**FIG. D. EXCLUSIVE SERVICE**

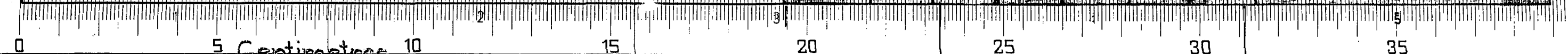
EXCHANGES WITHOUT I.D.F.



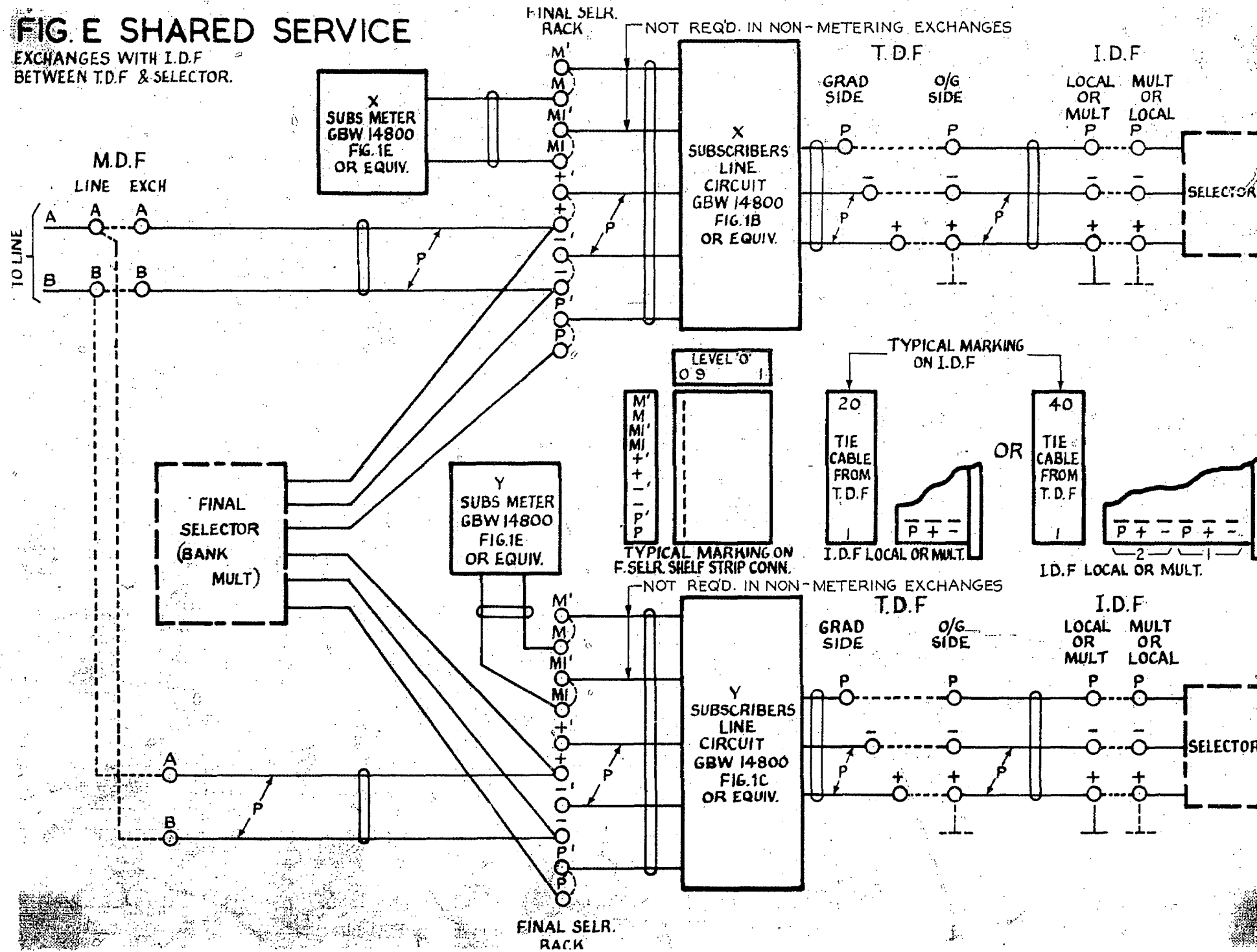
SUBSCRIBERS LINE CIRCUIT			
SHTS 12-15 ADDED.	(70498)	4A	5.3.81 CTF
NOTE ON MI & M WIRES & SHTS. 10&11 ADDED.	(13272)	4	17.3.70 9w
SHTS 7, 8 & 9 ADDED.	(63459)	3	12.8.66
SHTS 5&6 ADDED	(79994)	2	18.6.63
	(69211)	1	9.7.57
AMENDMENT PARTICULARS	ISSUE DATE	APP	
DRAWN		CHECKED	WIRED/ENGR
N.Z.P.O.		7.7	5

SHARED SERVICE WITH  
SUBSCRIBERS DISCONNECT  
& DOUBLE HOMING

**GBX 14800** SHEET 15



**FIG. E SHARED SERVICE**  
EXCHANGES WITH I.D.F.  
BETWEEN T.D.F. & SELECTOR.

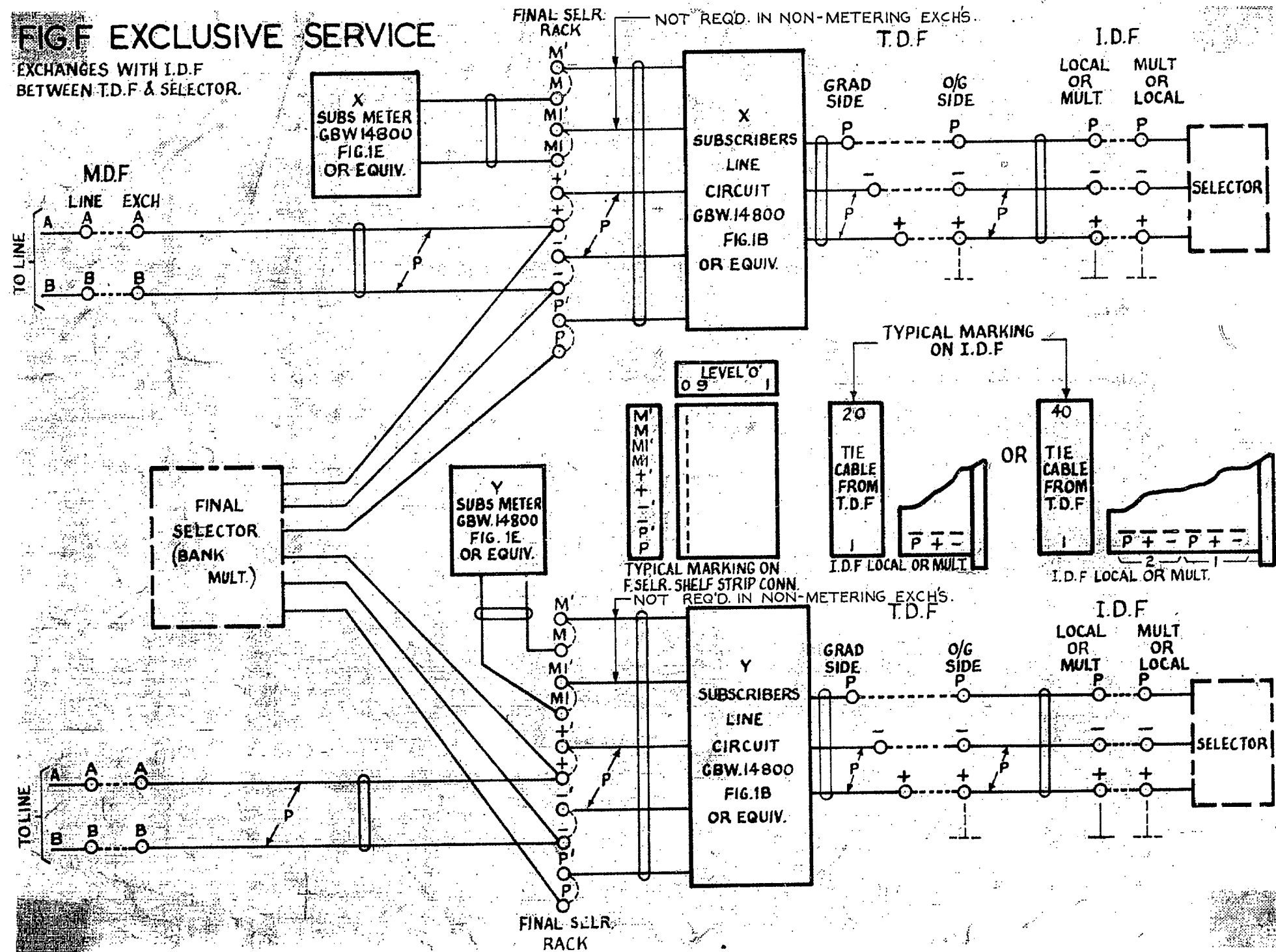


SUBSCRIBERS LINE CIRCUIT			
SHARED SERVICE WITH SUBSCRIBERS DISCONNECT & DOUBLE HOMING			
SHTS 12-15 ADDED.	(70498)	4A	5.3.8 CTF
NOTES ON MI & M WIRES & SHTS. 10&11 ADDED	(13272)	4	17.3.70 RW
SHEETS 7,8&9 ADDED	(53459)	3	12.8.66
	(79994)	2	18.6.63 OK
AMENDMENT PARTICULARS	ISSUE	DATE	APP
NZPO	DRAWN	CHECKED	WIRING
			CIRCUIT
GBX14800			50Y H
SHEET 15-15			



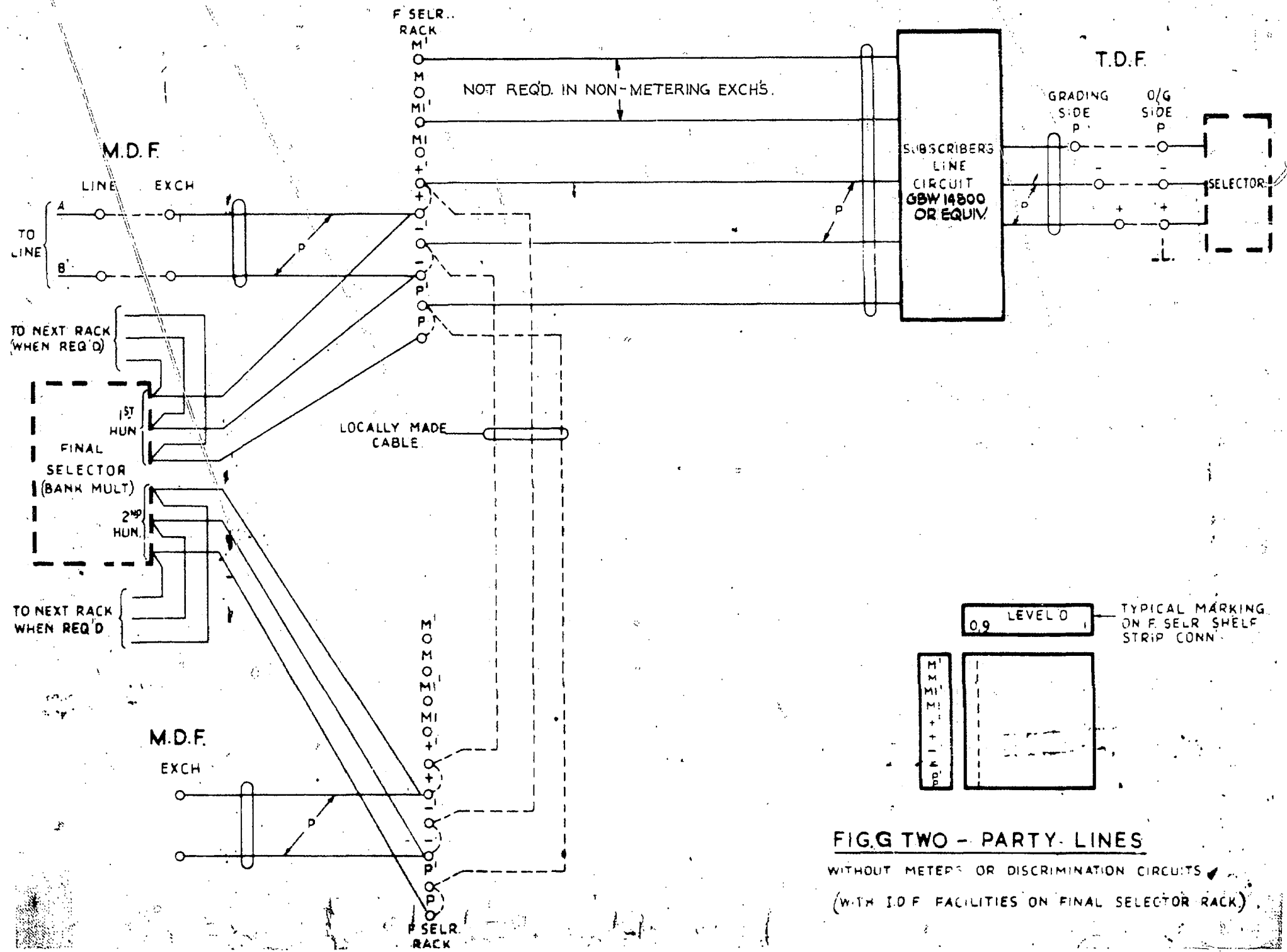
# FIG EXCLUSIVE SERVICE

EXCHANGES WITH I.D.F. BETWEEN T.D.F. & SELECTOR.



SUBSCRIBERS LINE CIRCUIT				
SHARED SERVICE WITH SUBSCRIBERS DISCONNECT & DOUBLE HOMING				
SHTS 12-15 ADDED (70498)		4A	5.3.81	CTF
NOTES ON MI & M WIRES & SHTS 10&11 ADDED (13272)		4	17.3.70	RW
SHEETS 7, 8 & 9 ADDED (53459)		3	12.8.66	OBK
		2	18.6.65	OBK
AMENDMENT PARTICULARS			ISSUE	DATE
APP			50V	H
GBX 14800				SHEET 15
NZ P.O.	DRAWN	CHECKED	WIRING	CIRCUIT





**FIG TWO - PARTY LINES**  
 WITHOUT METERS OR DISCRIMINATION CIRCUITS  
 (WITH I.O.F. FACILITIES ON FINAL SELECTOR RACK)

				SUBSCRIBERS LINE CIRCUIT.			
				SHARED SERVICE WITH SUBSCRIBERS DISCONNECT & DOUBLE HOMING			
SHTS 12-15 ADDED. (70498)		4A	5.3.01	CTF			
NOTE ON MI & M WIRES & SHTS. 10 & 11 ADDED. (13272)		4	17.3.70	RW			
		(53459)	3.	128.06			
AMENDMENT PARTICULARS				ISSUE DATE	APPD		
N.Z.P.O.		DRAWN	CHECKED	WIRING	ENGINEER	GBX 14800	
		BB				SHEET 7-15	

UL 235

5 Centimetres

10

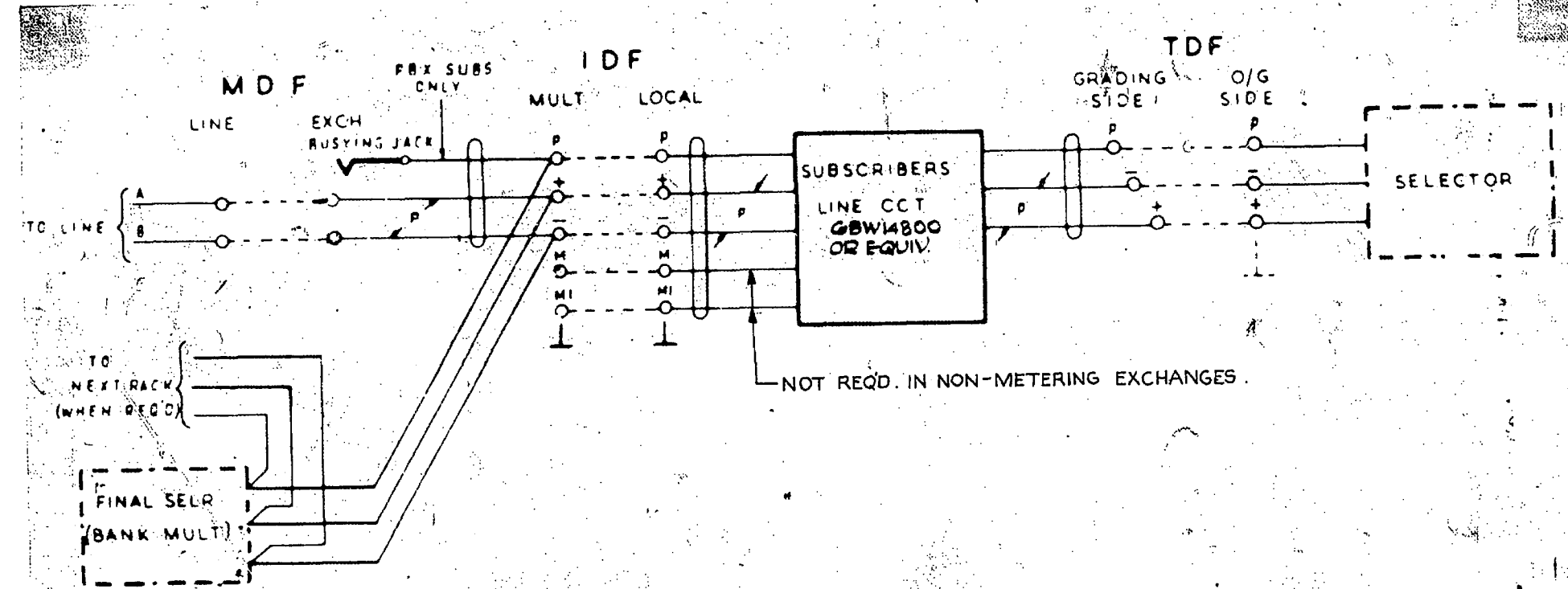
15

20

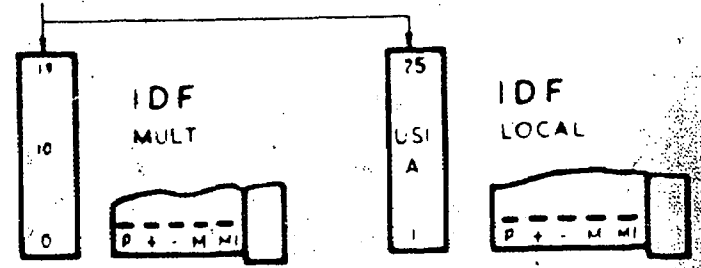
25

30

35



TYPICAL MARKING

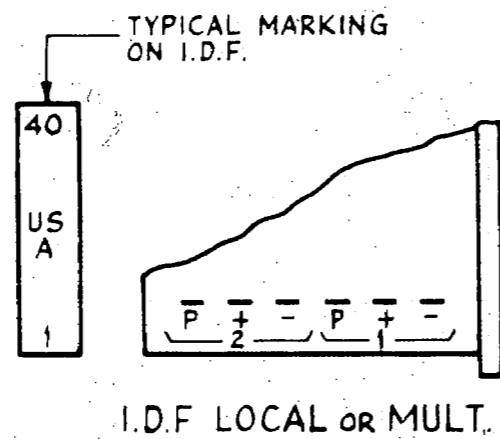
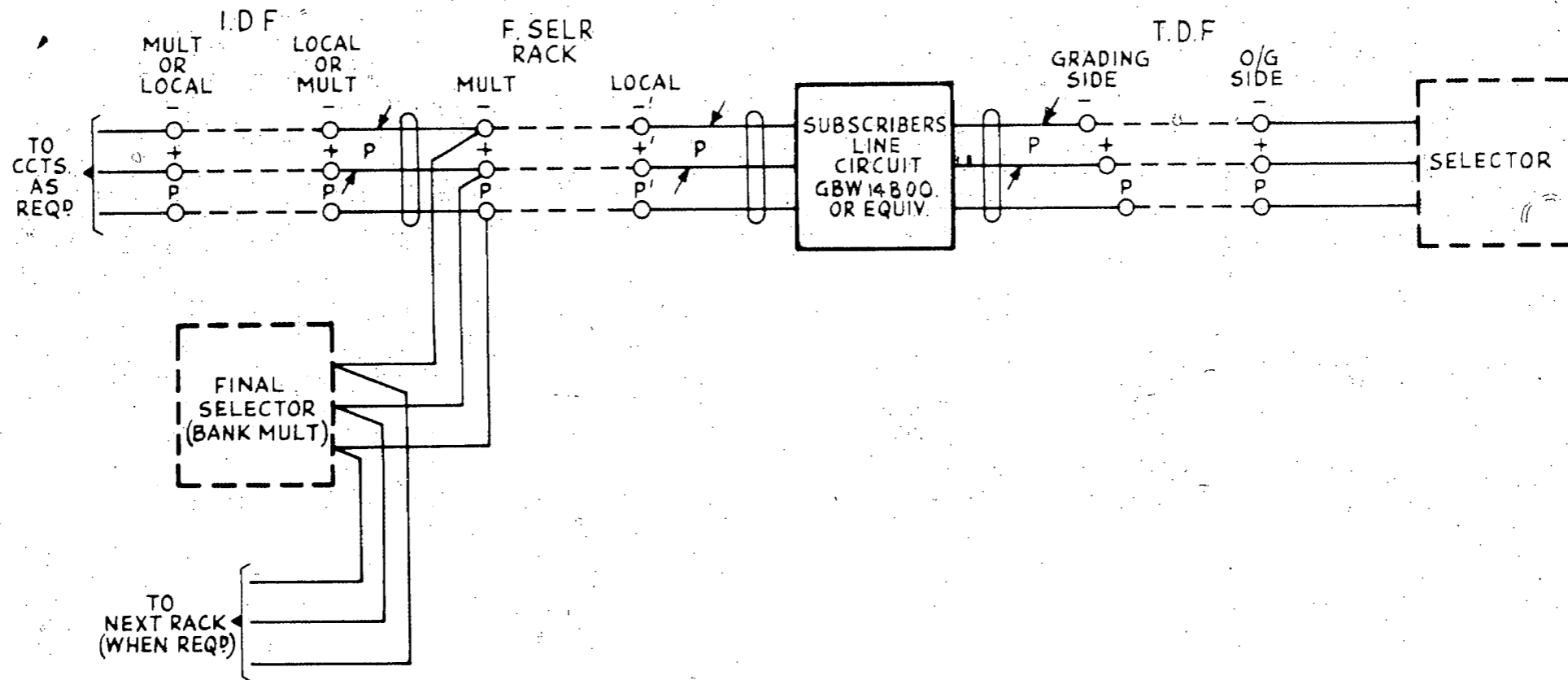


**FIG.H REGULAR & 2-10 PBX SUBSCRIBERS**  
 \* (WITH CENTRALISED IDF)

				SUBSCRIBERS LINE-CIRCUIT.			
				SHARED SERVICE WITH			
				SUBSCRIBERS DISCONNECT			
				& DOUBLE HOMING.			
SHTS 12-15 ADDED.		(70498)	4A	5.3.81	CTF		
NOTE ON MI & M WIRES & SHTS. 10 & 11 ADDED:		(13272)	4	17.3.70	Rw		
		(53459)	3	12.8.66			
AMENDMENT PARTICULARS				ISSUE	DATE	APP	
NZ PO				DRAWN	CHECKED	WIRING	ENGINEER
				BB			
				<b>GBX14800</b>			
				SHEET 1/1			

UD 235





**FIG. J**  
 REGULAR & 2-10 P.B.X. SUBS.  
 (WITH DIRECT CONNECTION BETWEEN  
 F/S STRIP CONN (MULT) & I.D.F.)

SUBSCRIBERS LINE CIRCUIT.				
SHARED SERVICE WITH SUBSCRIBERS DISCONNECT & DOUBLE HOMING.				
SHTS 12-15 ADDED.	(70498)	4A	5.3.81	CTF
NO CHANGE ADV. IN ISS. ONLY SHTS 10&11 ADDED (13272)	(53459)	4	17.3.70	Rw
		3	12.8.66	
AMENDMENT PARTICULARS	ISSUE	DATE	APP	H
GBX 14800				SHEET 9-15
N.Z.P.O.	DRAWN B.B.	CHECKED	WIRING	ENGINEER

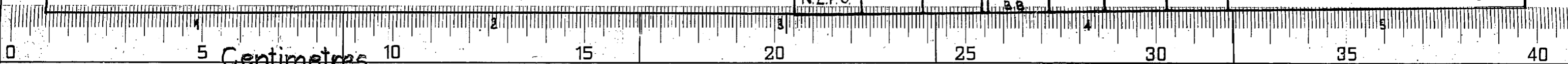
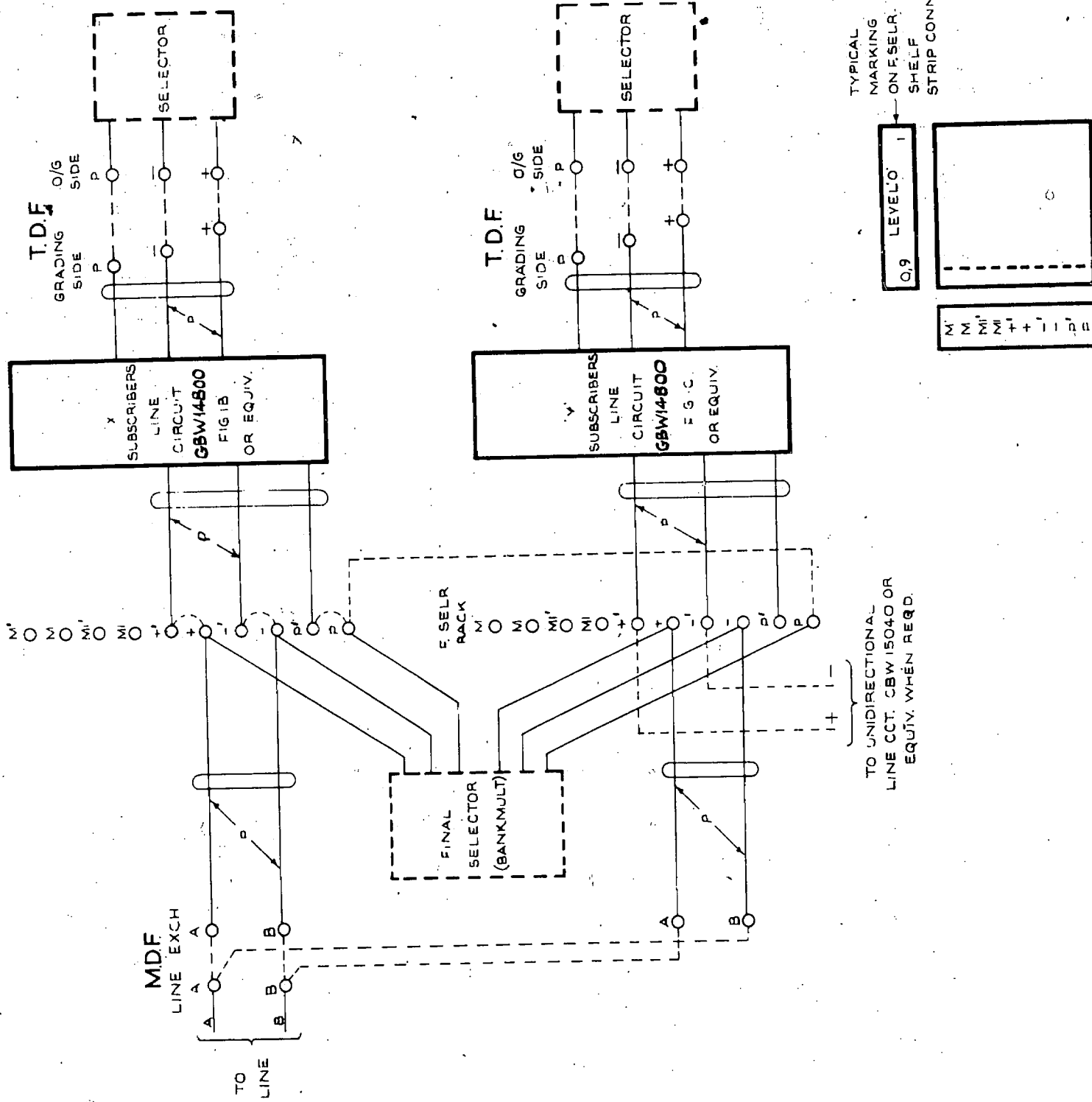


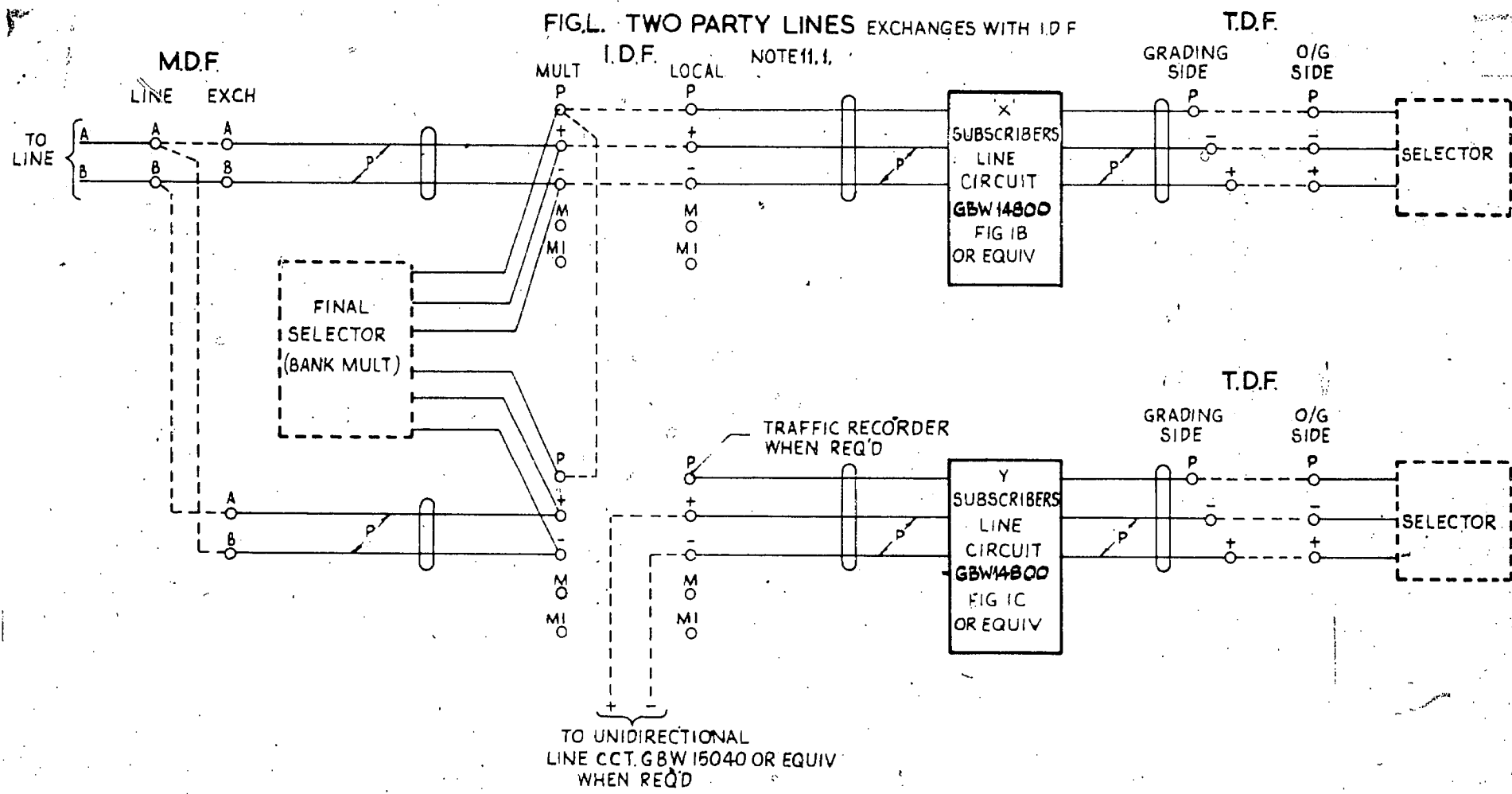
FIG. K<sub>1</sub> TWO-PARTY LINES EXCHANGES WITHOUT DF  
NOTE 10.1



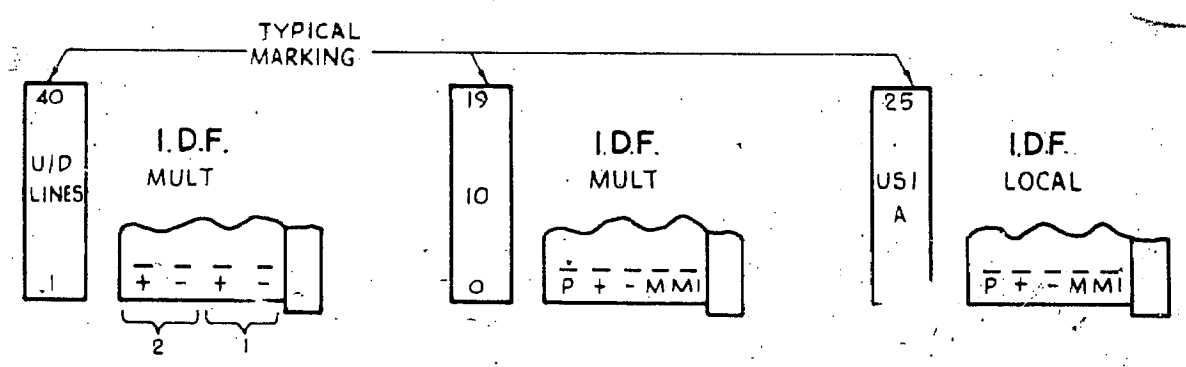
NOTES:-

10.1 THIS FIG COVERS THE ADAPTATION OF SHARED SERVICE EQUIPMENT FOR TWO-PARTY LINE AND UNIDIRECTIONAL WORKING IN EXCHANGES CONVERTED TO NON-METERING OPERATION

SUBSCRIBERS LINE CIRCUIT					
SHARED SERVICE WITH SUBSCRIBERS DISCONNECT & DOUBLE HOMING.					
SHTS 12-15 ADDED.		(70498)	4A	5.3.81	CTF
		(13272)	4	17.3.70	
AMENDMENT PARTICULARS			ISSUE	DATE	APP'D
NZPO		DRAWN	CHECKED	WIRING	CIRCUIT
		1/4			
GBX 14800					H



**NOTES:-**  
 11.1. THIS FIG COVERS THE ADAPTATION OF SHARED SERVICE EQUIPMENT FOR TWO-PARTY LINE AND UNIDIRECTIONAL WORKING IN EXCHANGES CONVERTED TO NON-METERING OPERATION



<b>SUBSCRIBERS LINE CIRCUIT</b>				
<b>SHARED SERVICE WITH SUBSCRIBERS DISCONNECT &amp; DOUBLE HOMING</b>				
SHTS 12-15 ADDED.	(70498)	4A	5.3.81	CTF
	(13272)	4	17.3.70	Rw
AMENDMENT PARTICULARS			ISSUE	DATE
			APP	H
<b>NZPO</b>		DRAWN	CHECKED	WIRING
		CIRCUIT	<b>GBX 14800</b>	
				SHEET 11-15

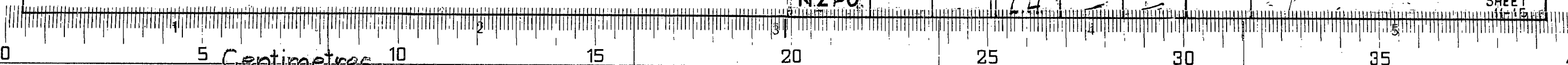
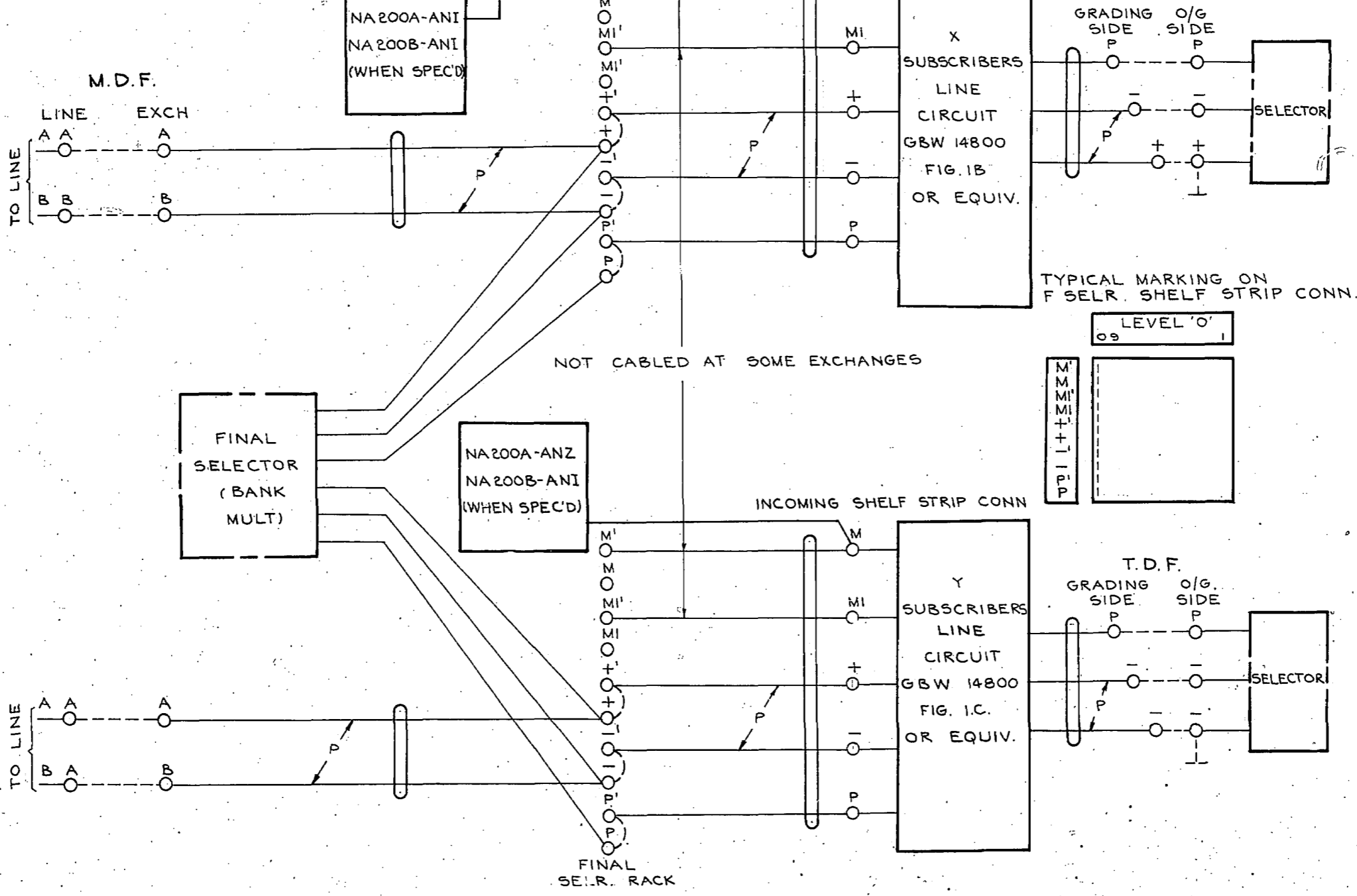


FIG. N. EXCLUSIVE SERVICE WITH ANI

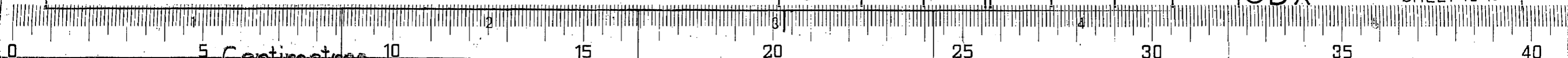
EXCHANGES WITHOUT I. D. F.



SUBSCRIBERS LINE CIRCUIT SHARED SERVICE WITH SUBSCRIBERS DISCONNECT & DOUBLE HOMING					
SHTS 12-15 ADDED.		(70498)	4A	5.3.81	CTF
AMENDMENT PARTICULARS			ISSUE	DATE	APD
N.Z. P.O.		DRAWN	CHECKED	WIRING	ENGRS

GBX 14800 SHEET 12-15

UD 235



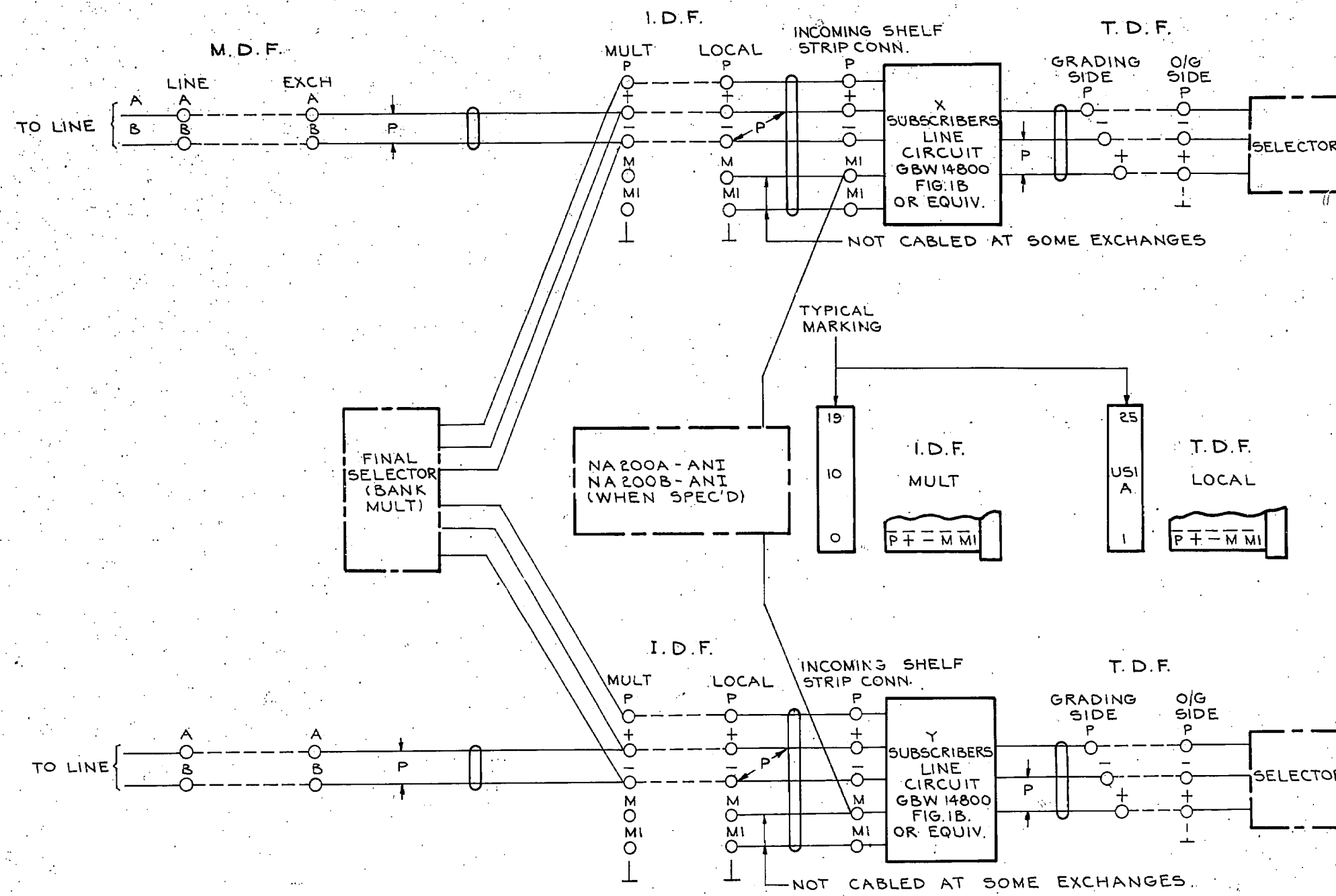
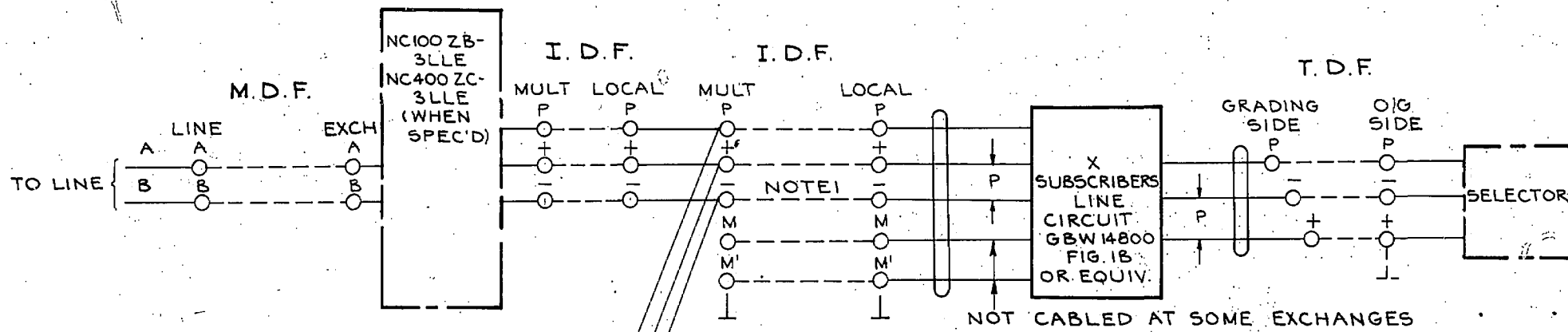


FIG. M EXCLUSIVE SERVICE WITH ANI. EXCHANGES WITH I.D.F.

					SUBSCRIBERS LINE CIRCUIT SHARED SERVICE WITH SUBSCRIBERS DISCONNECT & DOUBLE HOMING.
SHTS 12-15 ADDED.		(70498)	4A	5.3.81	CTF.
AMENDMENT PARTICULARS			ISSUE	DATE	APD
					H
N.Z.P.O.			DRAWN	CHECKED	WIRED ENGRS
					GBX 14800
					SHEET 13-15

UD 235



NOTE I  
REMOVE -, + AND P TO  
SUBSCRIBERS M.D.F. EXCHANGE  
SIDE TERMINATION

TYPICAL  
MARKING

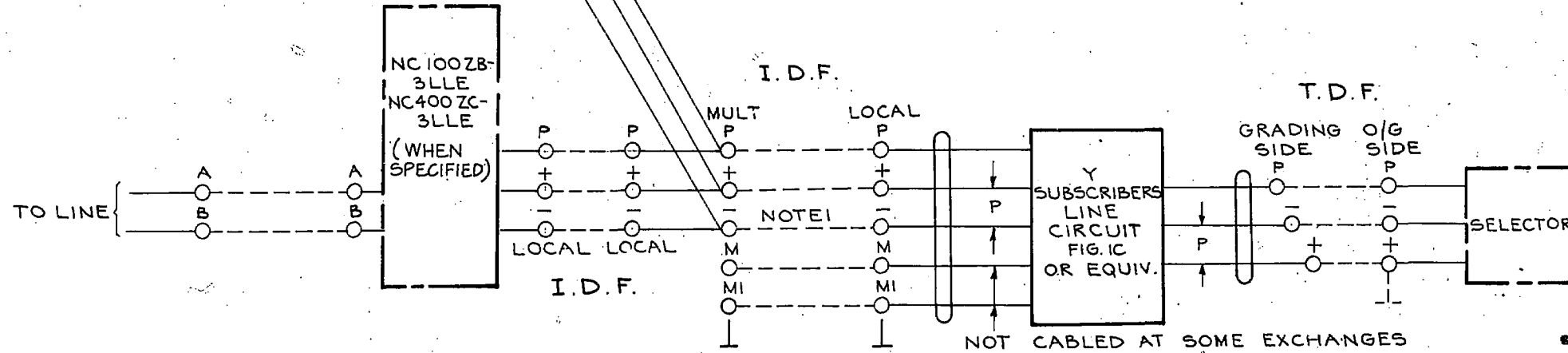
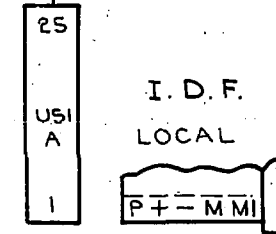
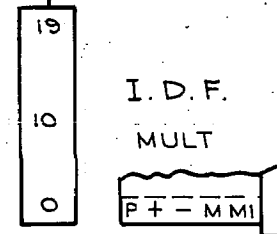


FIG. P EXCLUSIVE SERVICE WITH NEC LLE. EXCHANGES WITH I. F.

				SUBSCRIBERS LINE CIRCUIT SHARED SERVICE WITH SUBSCRIBERS DISCONNECT & DOUBLE HOMING.			
SHTS 12-15 ADDED.				(70498)	4A	5.3.81	CTF
AMENDMENT PARTICULARS				ISSUE	DATE	APD	H
N.Z.P.O.				DRAWN	CHECKED	WIRED	ENGRS

GBX 14800

SHEET 14-15

5 Centimetres 10

15

20

25

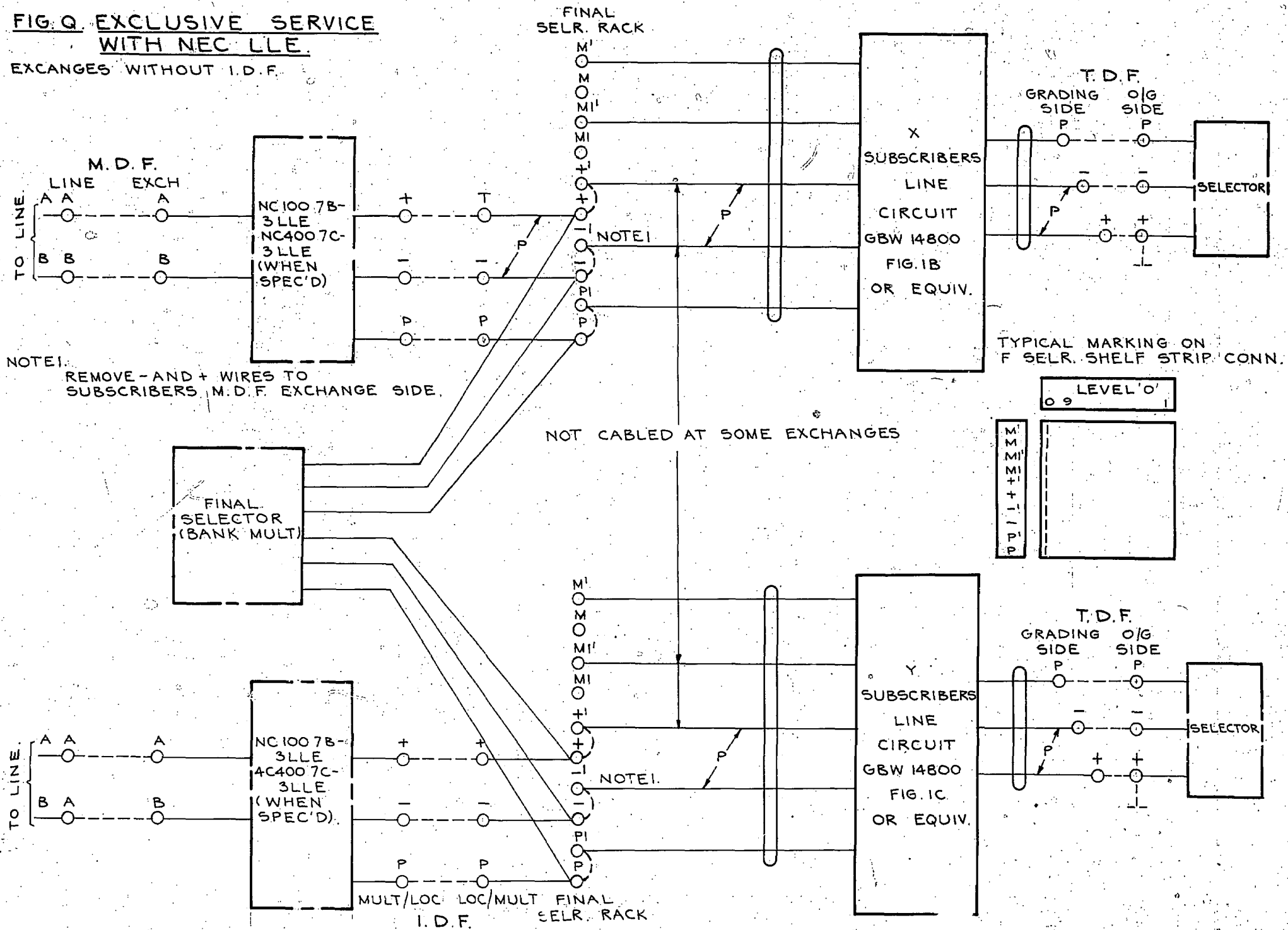
.30

35

40

UD 235

**FIG. Q. EXCLUSIVE SERVICE WITH NEC LLE.**  
EXCHANGES WITHOUT I.D.F.



				SUBSCRIBERS LINE CIRCUIT SHARED SERVICE WITH SUBSCRIBERS DISCONNECT & DOUBLE HOMING.			
SHTS 12-15 ADDED.				(70498)	4A	5.3.81	CTF
AMENDMENT PARTICULARS				ISSUE	DATE	APD	
N.Z.P.O.		DRAWN	CHECKED	WIRED	ENGRS	GBX 14800 SHEET 15-15	

UD 235

5 Centimeters 10

15

20

25

30

35

40