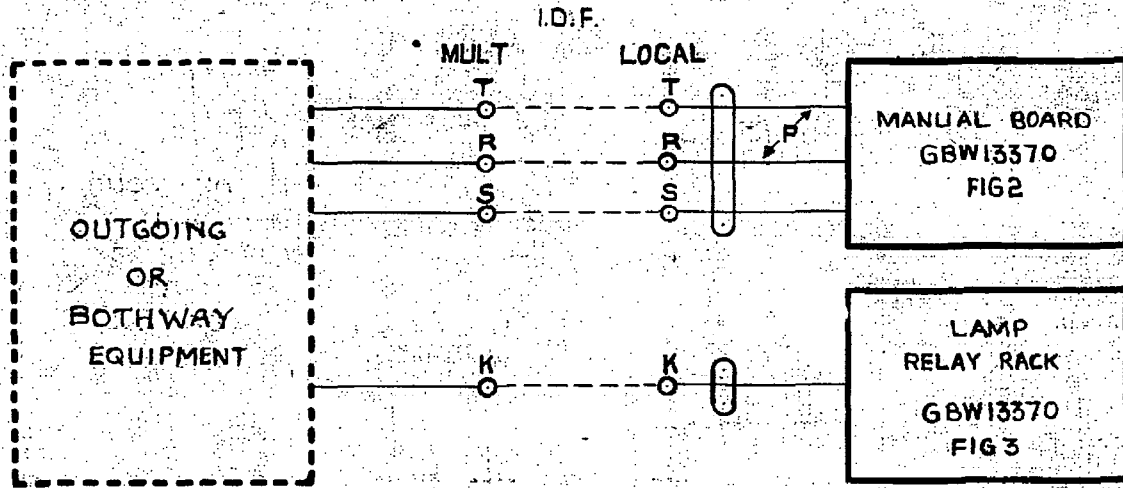
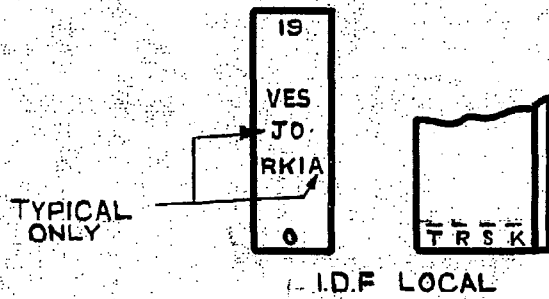


FIG.A.

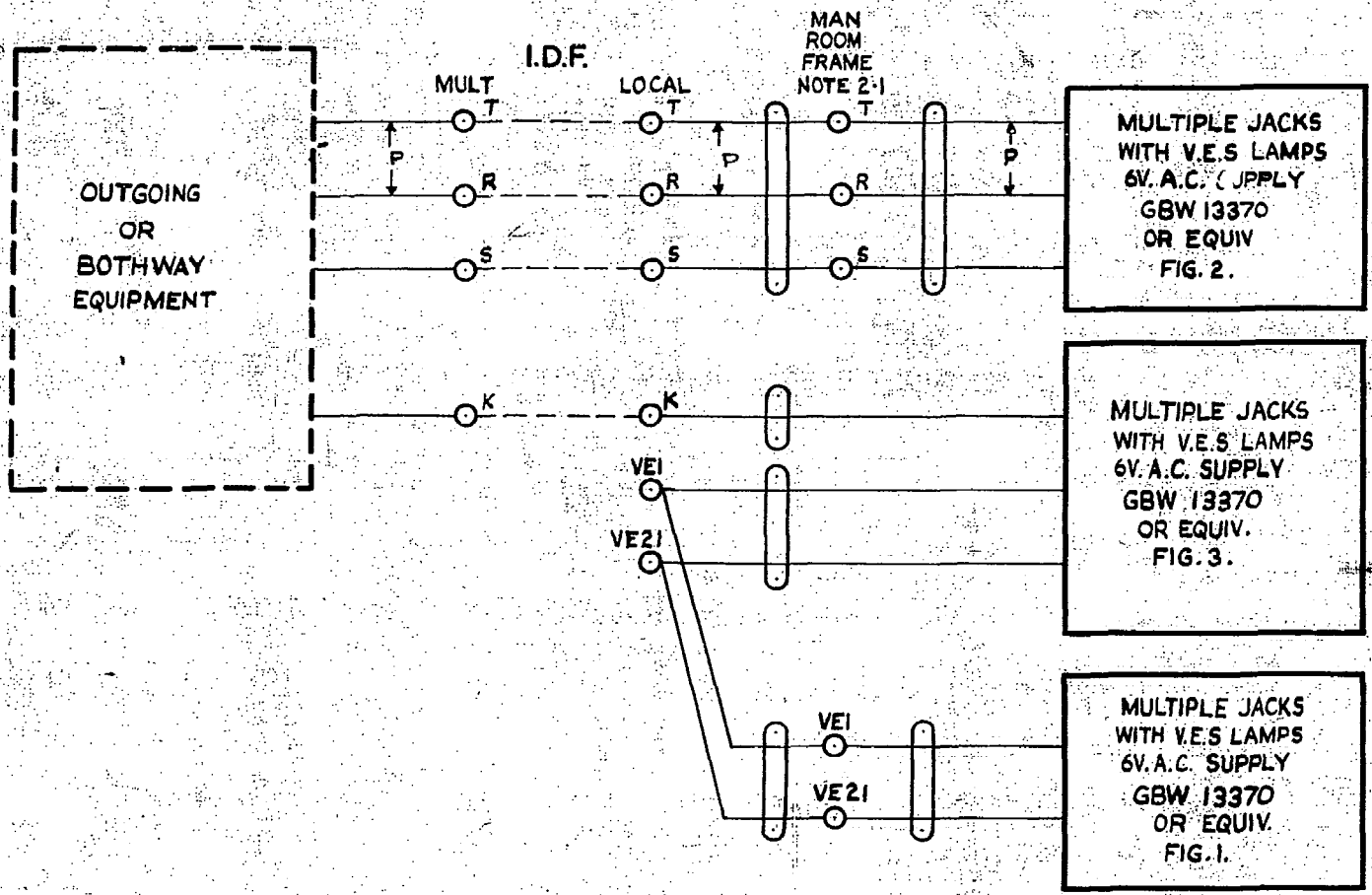


MARKING ON I.D.F



				MULTIPLE JACKS WITH V.E.S LAMPS 6V A.C SUPPLY	
SHEET 2 ADDED (69419)		3	25-10-63	DBH	
EXPLAN. FIG. REFERRED TO: I/C.R/SETS		2			
		1			
AMENDMENT PARTICULARS			ISSUE	DATE	APPD.
			G 53	12.24	50V S
				GBX 13370	
N.Z.P.O.	DRAWN F.J.O.	CHECKED E.T.O.	WIRING	CIRCUIT	SHT 1-2
				HAC	

FIG. B. CABLING BETWEEN AUTO BUILDING AND REMOTE MANUAL BUILDING.



NOTE.

2:1 MAN. ROOM FRAME AND ASSOC. TERM. STRIPS SUPPLIED BY N.Z. P.O.

TYPICAL MARKING



I.D.F. LOCAL

				MULTIPLE JACKS WITH V.E.S LAMPS 6V. A.C. SUPPLY			
		(69419)	3	25.10.63	DBZ		
AMENDMENT PARTICULARS				ISSUE	DATE	APP	REF: 50V/S
				GBX 13370			
N.Z.P.O.	DRAWN M.A.A.	CHECKED G.A.	WIRING G.A.	CIRCUIT G.A.	SHE 2-2		