

FIG. A.

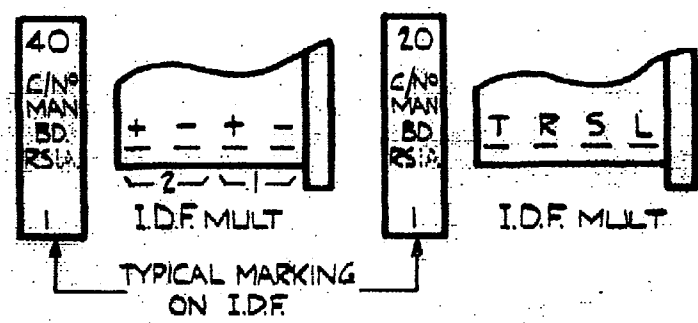
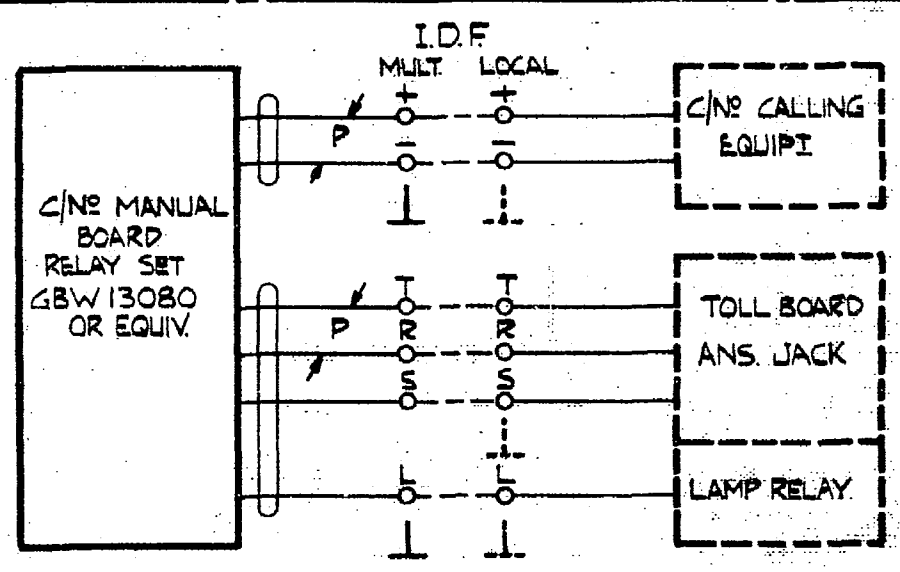


FIG. B.

					CHANGED NUMBER MANUAL BOARD RELAY SET		
					S.C.S.		
					2000 TYPE		
NEW COY. TCG. INCORP		(2467)	2	17-9-73	BS-H		
REDRAWN & MODIFIED		(34088)	2	29-12-54	CWH		
			1	10-2-54	C.K.		
AMENDMENT PARTICULARS			ISSUE	DATE	APPD	REF -	SIZE F
NZPO					GBX 13080		
AT&E CO LTD LIVERPOOL	ENGINEER. H.B.	APPROVED. H.B.	CHECKED. 5/10/54	WIRING	CIRCUIT	SHEET 1-2	

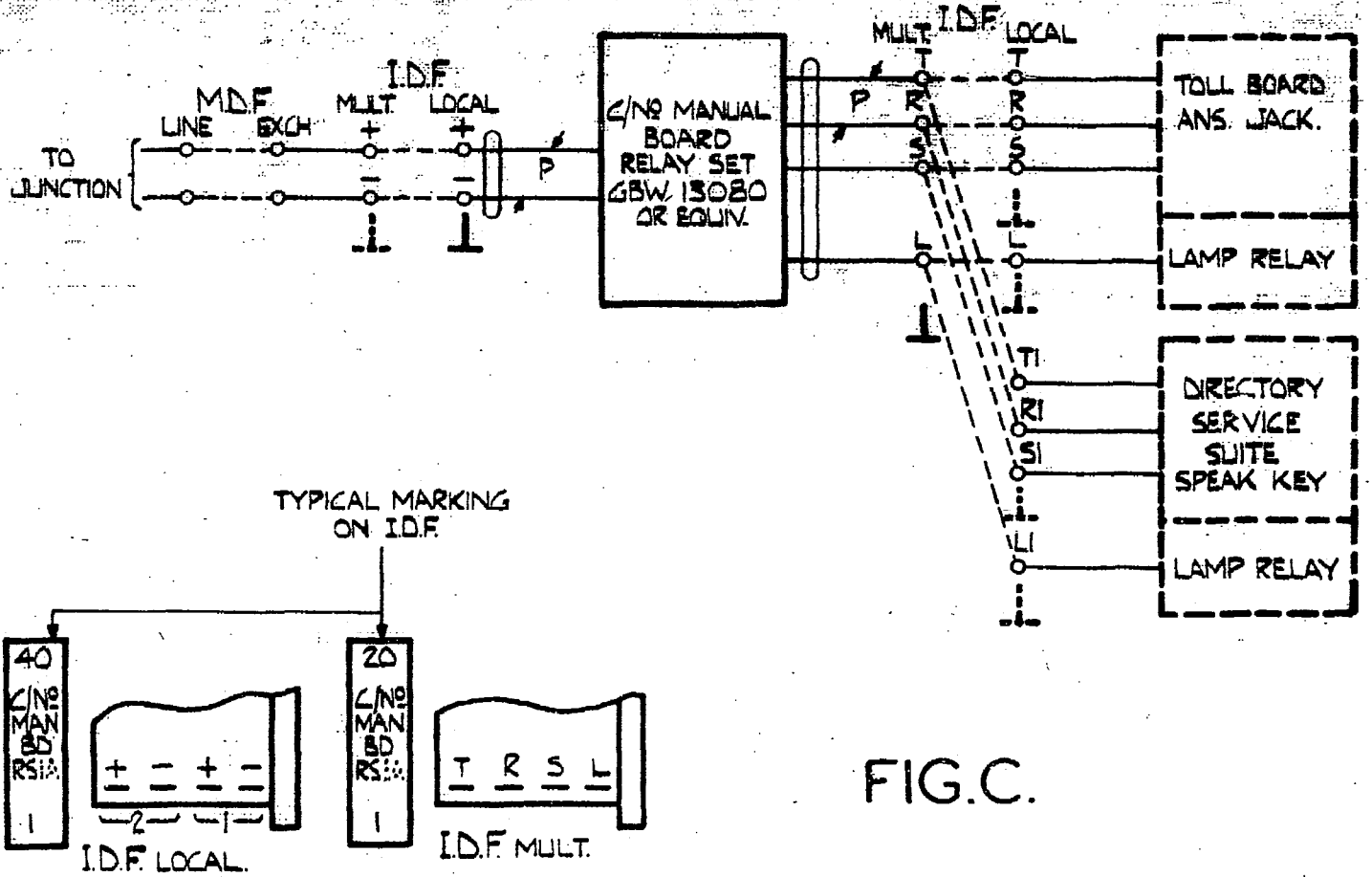


FIG. C.

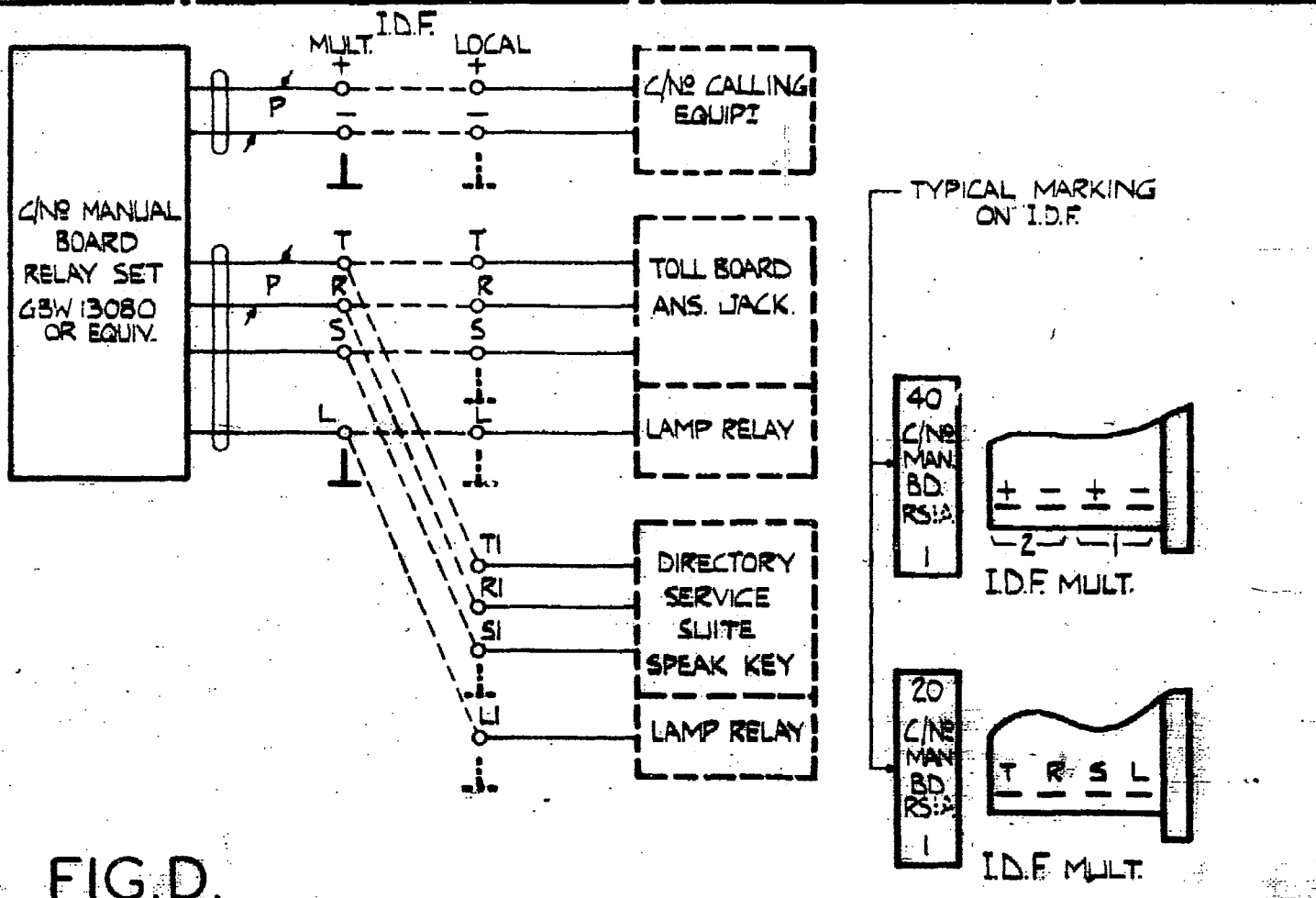


FIG. D.

					CHANGED NUMBER MANUAL BOARD RELAY SET	
					S.C.S.	
					2000 TYPE.	
NEW COY. TCG. INCORP			(2467)	2	17-9-73	BS-H
REDRAWN & MODIFIED			(34088)	2	29-12-54	CWH
				1	10-2-54	C.K.
AMENDMENT PARTICULARS				ISSUE DATE	APP?	REV?
NZPO						SIZE F
A.T. & T. CO. LTD LIVERPOOL.		ENGINEER H.B.	APPROVED H.B.	CHECKED 5/10/77	WIRING	CIRCUIT
					GBX 13080	
					SHEET 2-2	