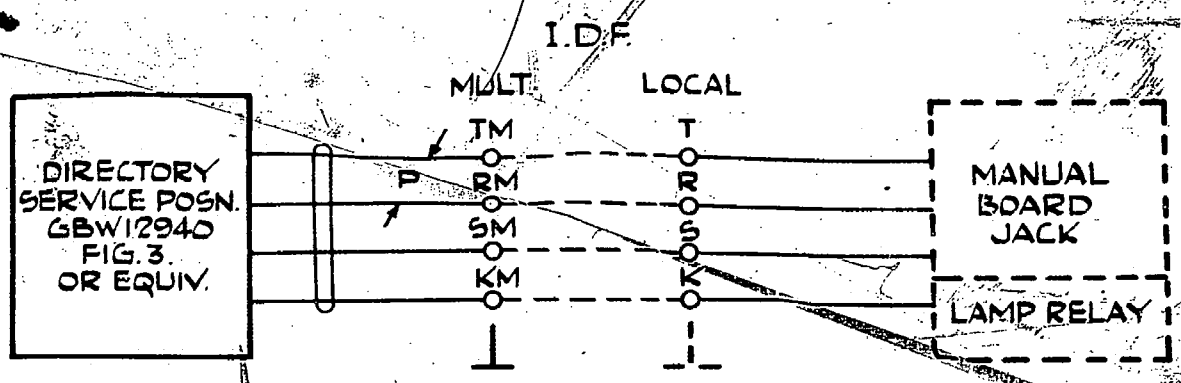


FIG.A
I/C CIRCUIT FROM MANUAL BOARD



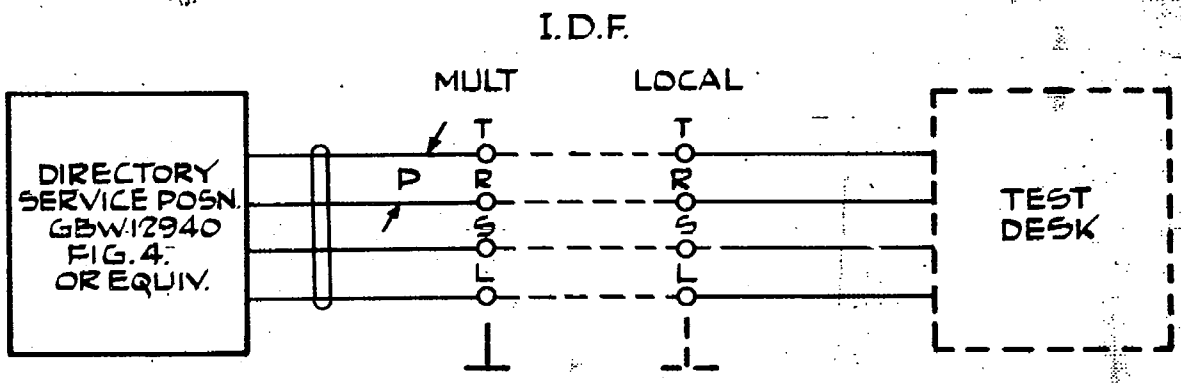
20
I/C FROM MAN. BD.
1

TYPICAL MARKING ON I.D.F.



I.D.F. MULT

FIG.B
B/W CIRCUIT TO TEST DESK



20
B/W TO T.D.
1

TYPICAL MARKING ON I.D.F.



I.D.F. MULT

NEW COY. TCG. INCORP.	(2467)	4	17-9-73	BS-H
FIG.A REFERENCE TO FIG.3. WAS FIG.2.	(91574)	4	5-2-65	-
ISSUE ADVANCED. NO AMENDMENTS.	e/n(C00040)	3	27-3-62	66.P.
ISSUE ADVANCED. NO AMENDMENTS.	CJC	2	18-1-55	H.R.B.
		1	10-2-54	C.K.

DIRECTORY SERVICE POSITION
CIRCUIT &
I/C, O/G & B/W LINES

AMENDMENT PARTICULARS		ISSUE	DATE	APP'D	REF.	SIZE	F	H	
NZPO									
AT & T CO LTD LIVERPOOL	ENGINEER H.B.	APPROVED H.B.	DRAWN CJC	CHECKED EJD 26/1	WIRING	CIRCUIT	GBX 12940		
								SHEET 1/2	

FIG.C

I/C CIRCUIT FROM AUTO

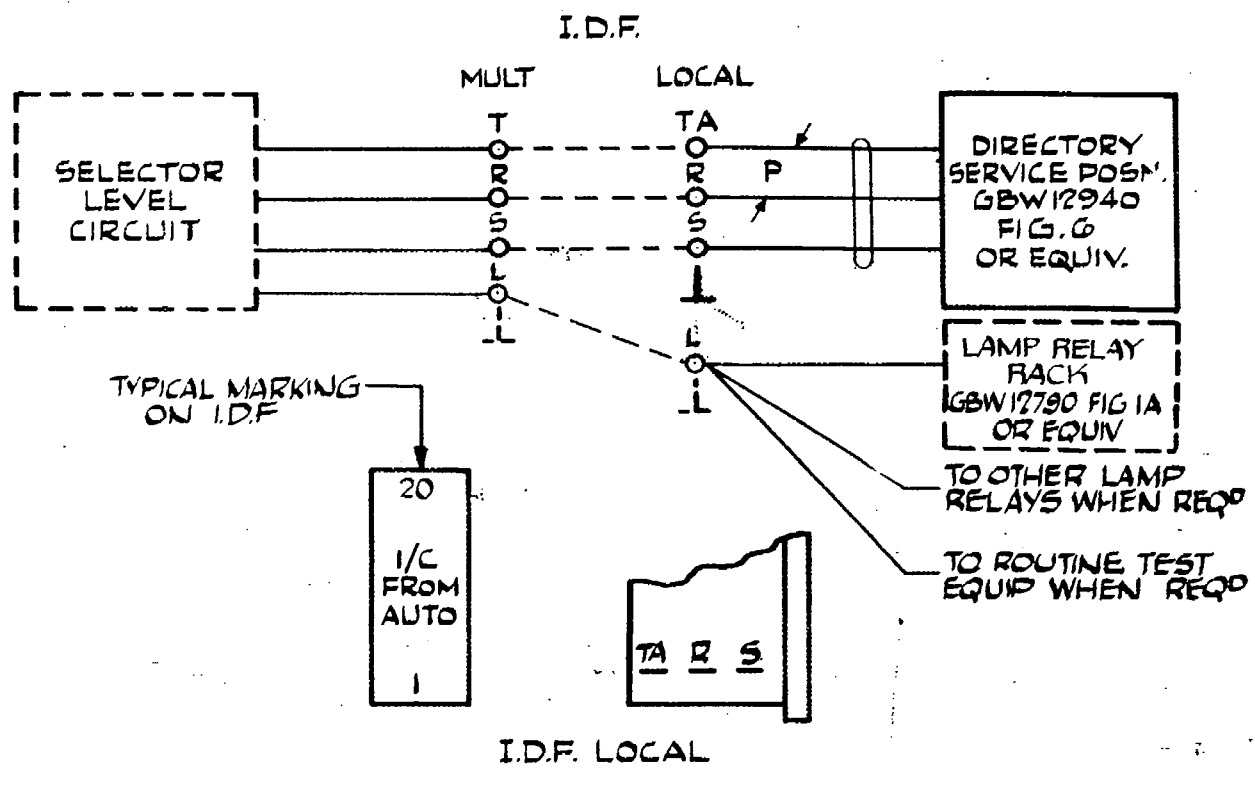
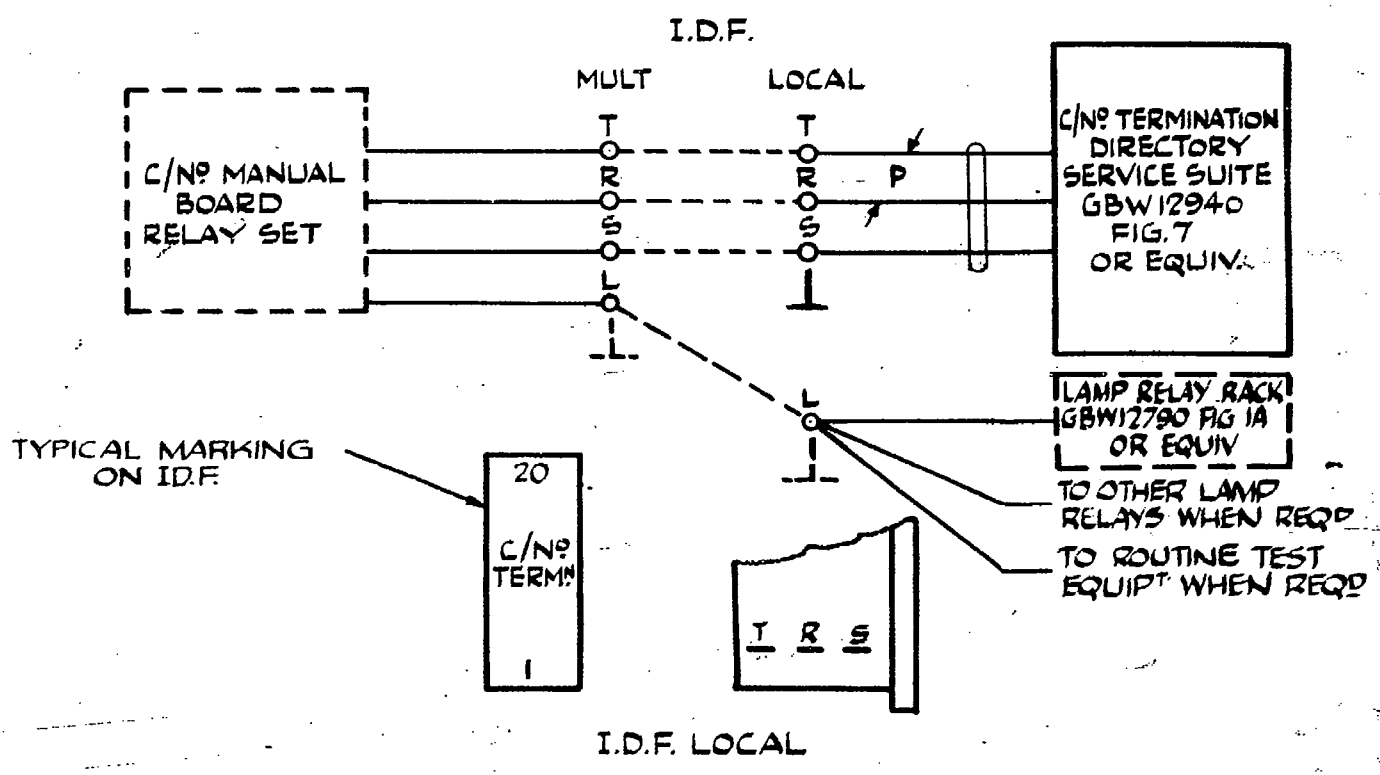


FIG.D

CHANGED NUMBER TERMINATION



NEW COY. TCG. INCORP	(2467)	4	17-9-73	BS-H
ISSUE ADVANCED. NO AMENDMENTS	(91574)	4	5-2-65	—
FIG.C & D. I.D.F. LOC. TAG L ADDED.	(C.O.0040) D.M.	3	27-3-62	GG.P
FIG.D WAS NOT SHOWN. REDRAWN.	CJC	2	18-1-55	HP.B
		1	10-2-54	CK.
AMENDMENT PARTICULARS		ISSUE	DATE	APP'D
NZPO				
A.T. & E. CO. LTD LIVERPOOL	ENGINEER H.B.	APPROVED H.B.	DRAWN CJC	CHECKED EJG
			WIRING	CIRCUIT

DIRECTORY SERVICE POSITION
CIRCUIT &
I/C, O/G & B/W LINES

GBX 12940

SHEET 2/2