

FIG. A.

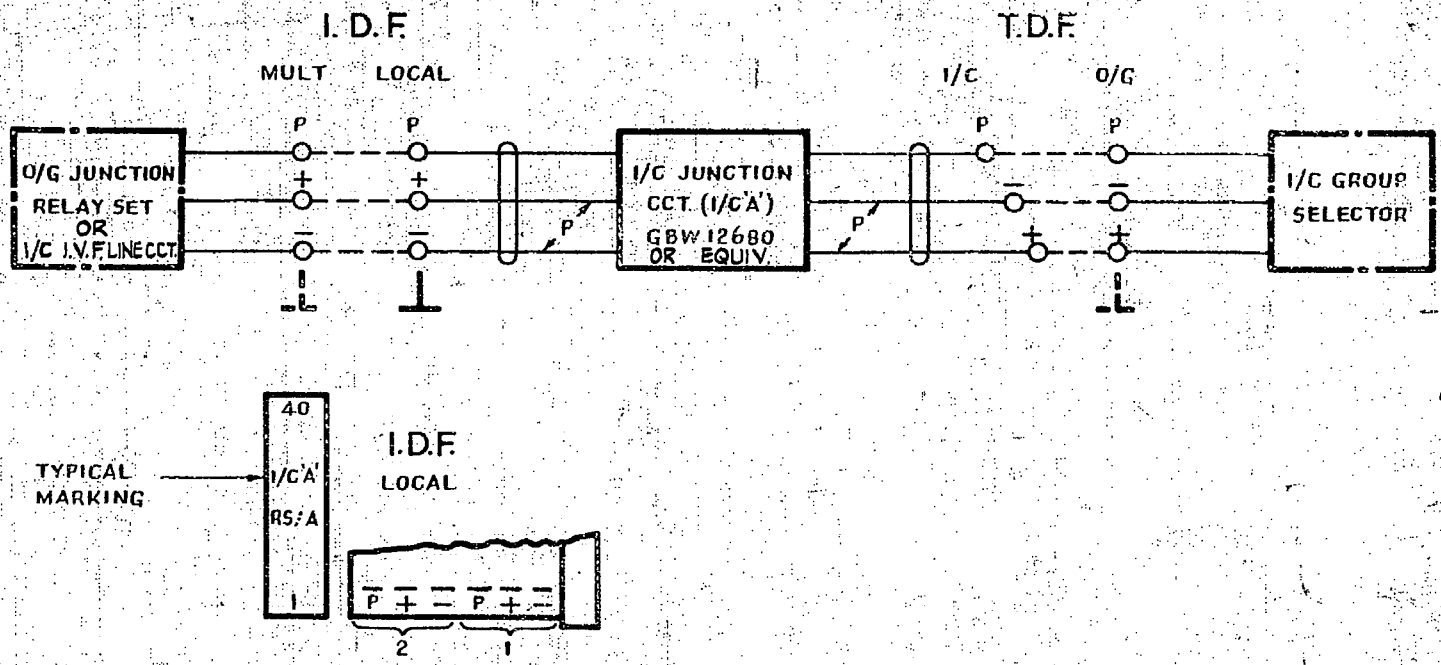


FIG. B.

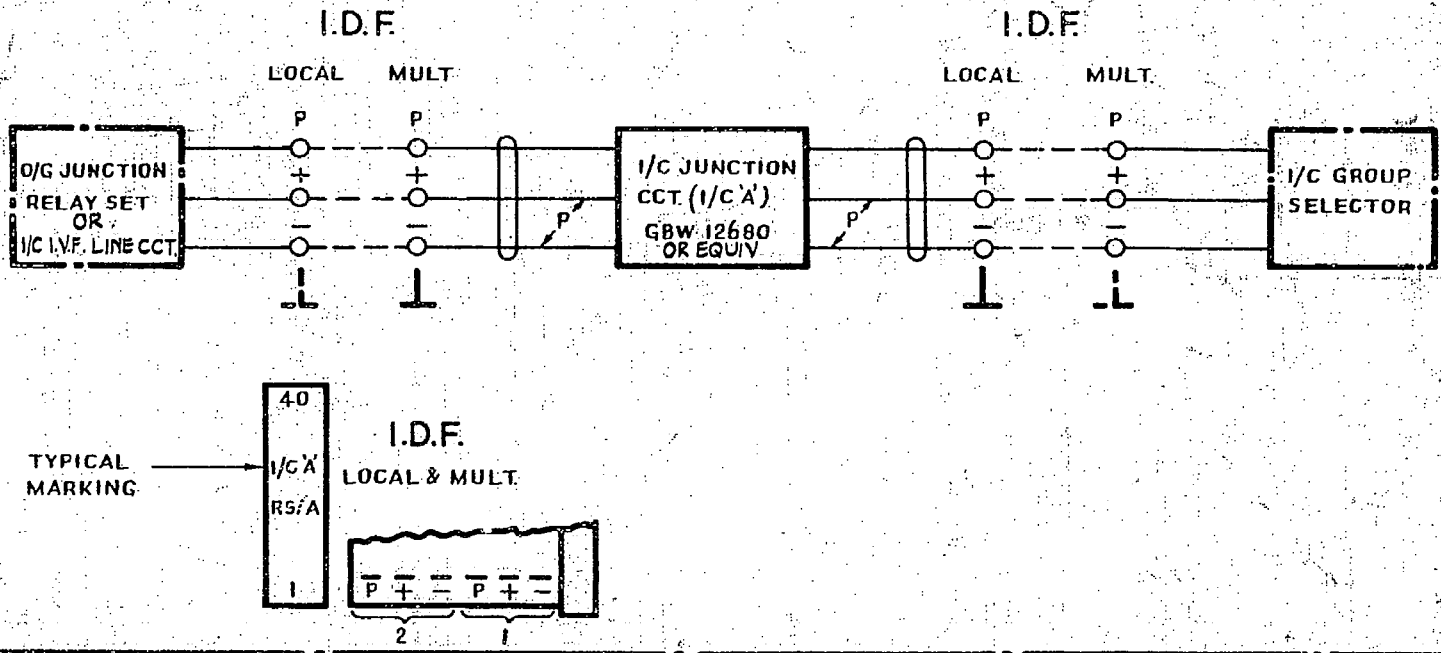
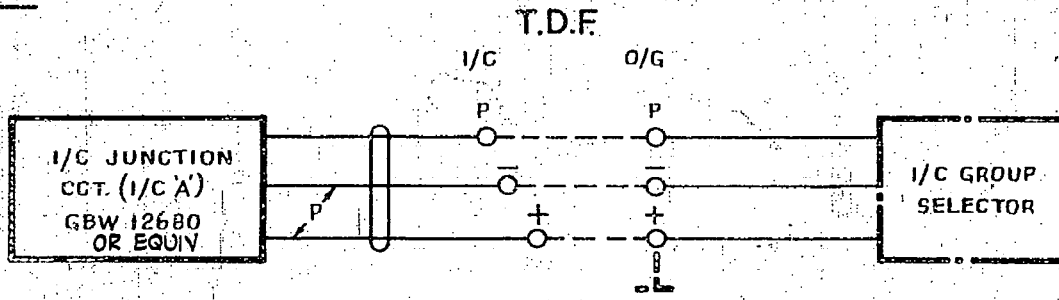


FIG. C.



				INCOMING JUNCTION CIRCUIT (1/C'A) FROM DEPENDENT UAX. N.Z. 13 AUTOMATIC MINOR EXCHANGES	
REFS TO 1/C I.V.F. LINE CCT ADDED (50592)	3	11.12.62	<i>DBK</i>		
MADE SHEET 1-2 (72175)	2	10.4.58	<i>ac</i>		
(65053)	1	8.6.55	<i>cm</i>		
AMENDMENT/PARTICULAR	ISSUE	DATE	APPD	REF: TR1039-17-22	E
GBX 12680				SHEET 1-2	
N.Z. P.O.	DRAWN	CHECKED	WIRING	CIRCUIT	

FIG D

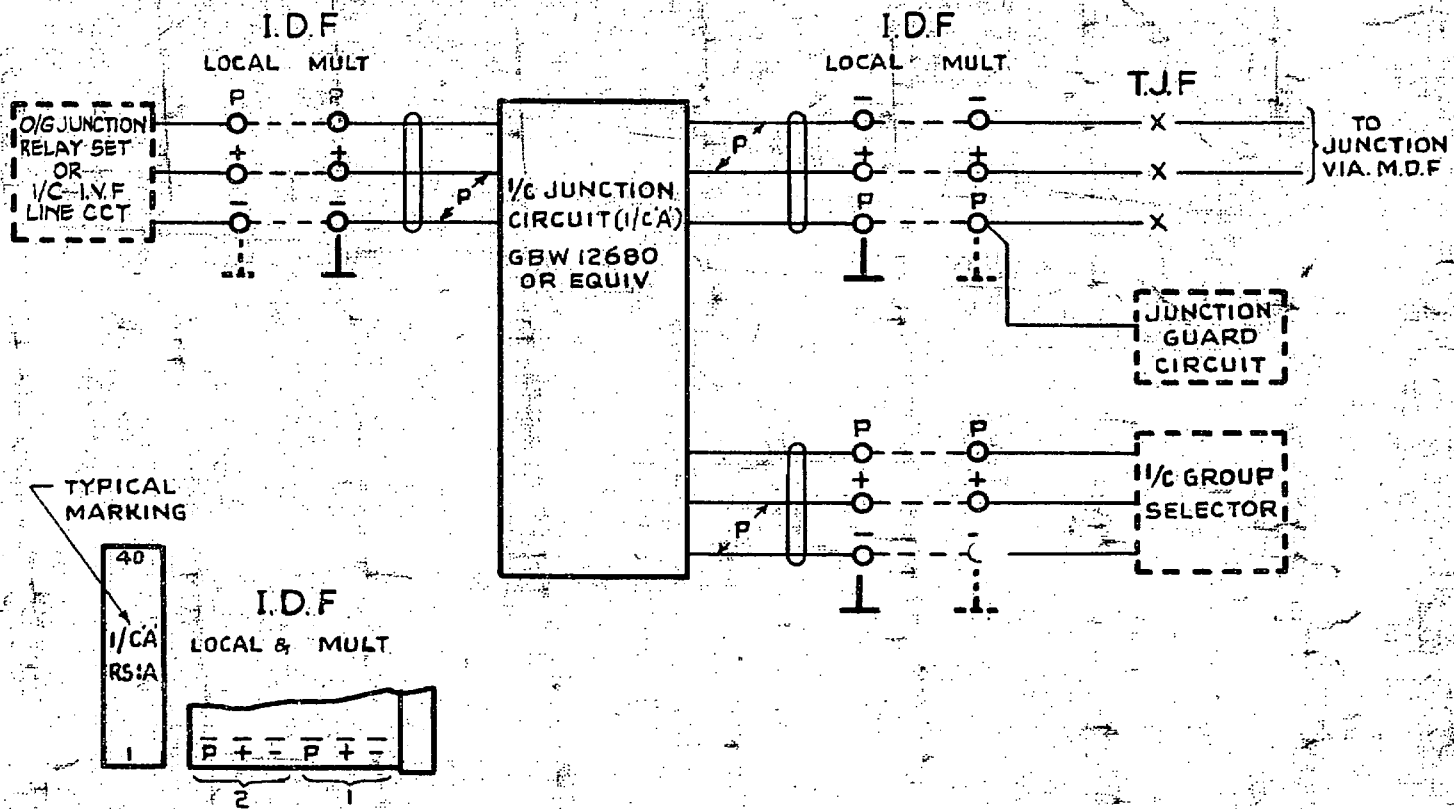


FIG.E

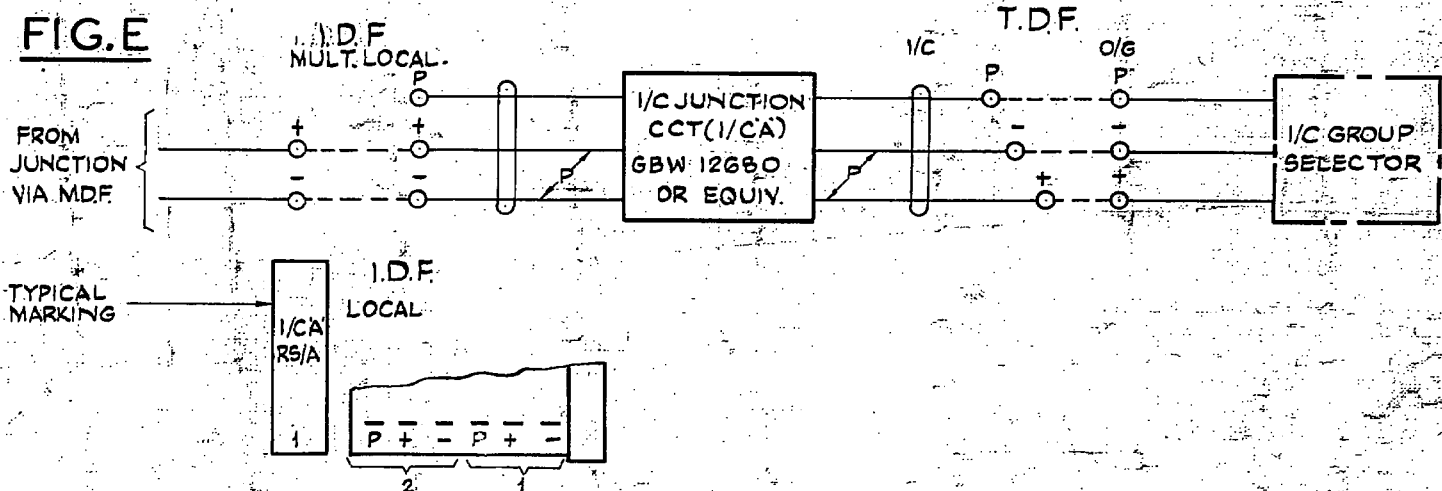
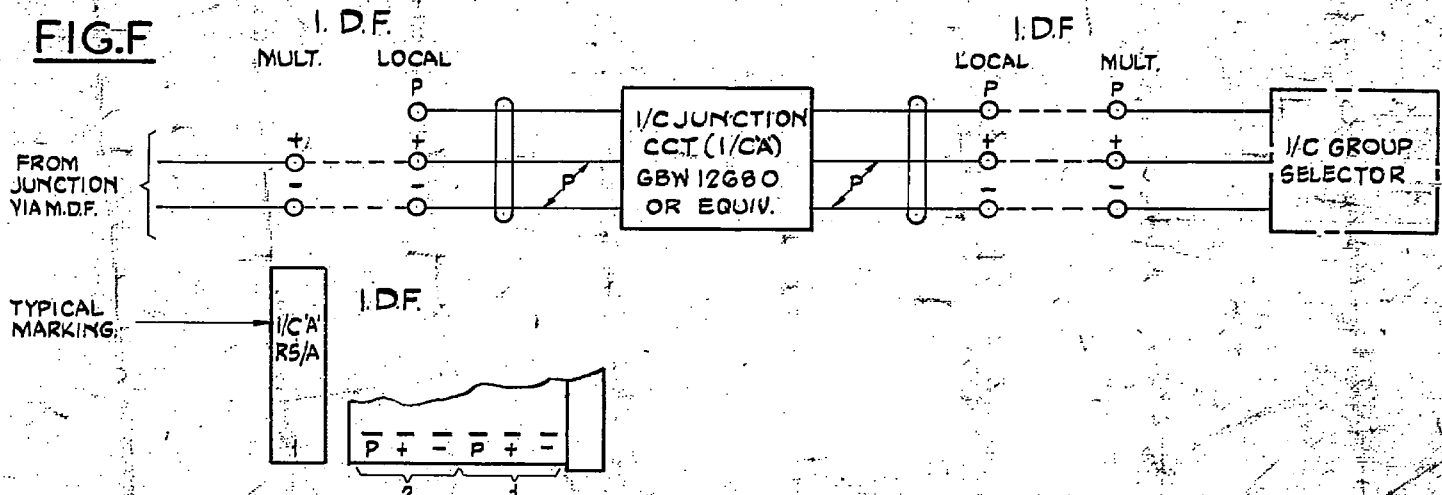


FIG.F



				INCOMING JUNCTION CIRCUIT (INCOMING 'A')	
				FROM DEPENDENT U.A.X. NZ13	
				AUTOMATIC MINOR EXCHANGES	
FIGS E & F ADDED (50592)		3	11-12-62	DBH	
SHEET 2 ADDED (72175)		12	10-4-58	DBH	
AMENDMENT PARTICULARS		ISSUE	DATE	APPD	REF TR 1039 17.22
				GBX 12680	
NZ.P.O.		DRAWN		CHECKED WIRING CIRCUIT	
				SHEET 2-2	