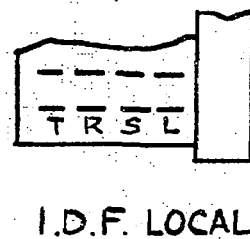
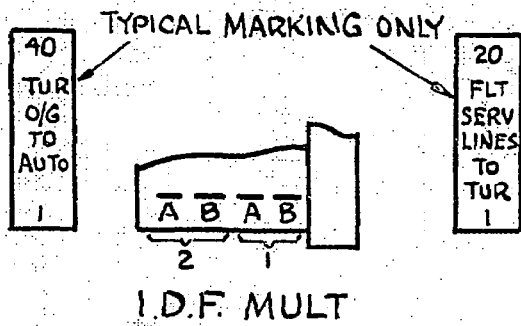
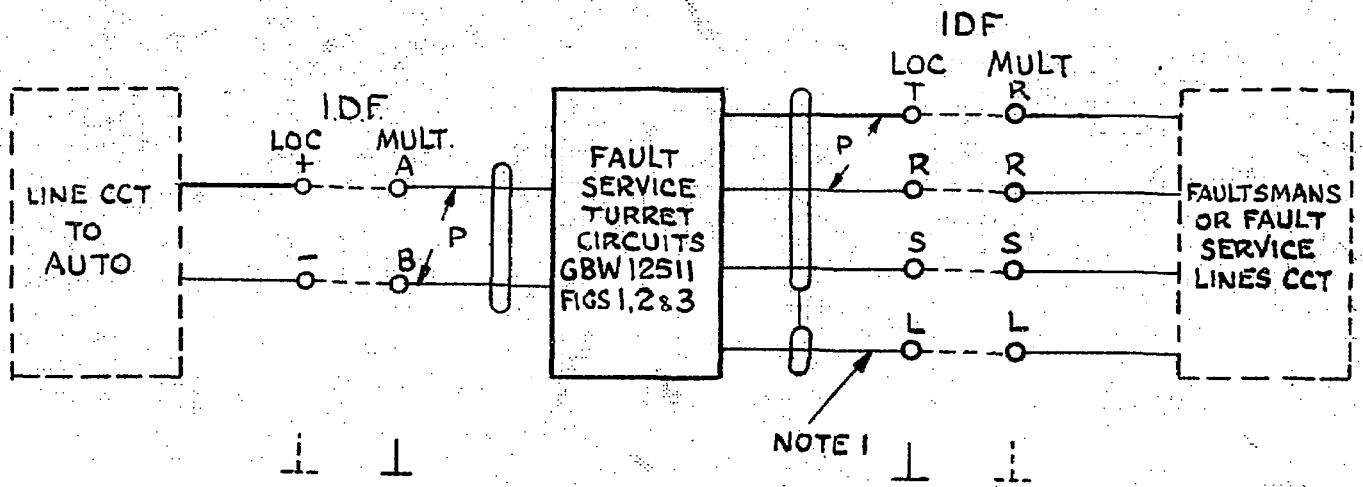


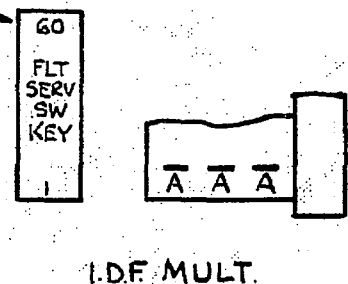
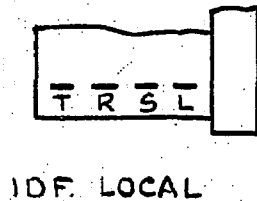
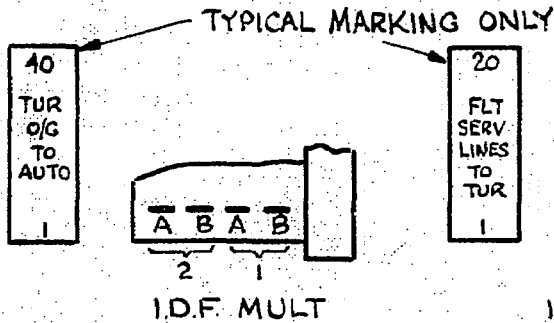
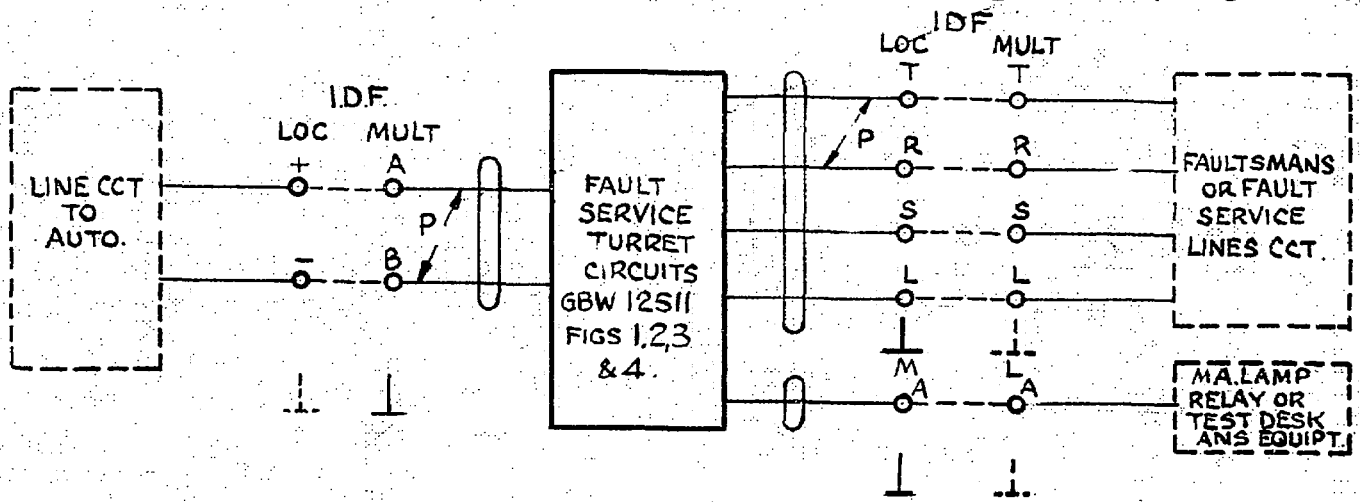
FIG A. ANS.KEYS.



NOTES

1. WHEN TOTAL LAMP APPEARANCE IS OVER 5 THIS LEAD IS THEN CABLED DIRECT TO LAMP RELAY CONTACT.

FIG B. ANS.KEYS & FAULT SERV. SWITCHING KEY.



					<p>FAULT SERVICE. TURRET CIRCUITS.</p>			
<p>REDRAWN IN FIG B TITLE AMENDED & TERM L ADDED. (66430)</p>							2	22.2.63
<p>AMENDMENT PARTICULARS</p>					ISSUE	DATE	APPD	W
					<p>GBX 12511.</p>			
NZ.P.O.		DRAWN	CHECK	WIRING	CIRCUIT			
				HAM	DHO			