

FIG A REGULAR & 2-10 P.B.X. SUBSCRIBERS

ON CHANGED NUMBER

(EXCHANGES WITH FLOOR TYPE M.D.F. BUT WITHOUT I.D.F.)

REFERENCE TO FLOOR TYPE M.D.F. & SHTS. 10-18 ADDED (81754)	4	28.11.67	9/2
SHEET 11-15 ADDED (77974)	3	4.6.63	002
DIAGRAM WAS 8 SHEETS			
REF. TO FIGS. 2B OR 2E OF GBW 12100 DELETED (34769)	2	9.5.55	001
(30963)	1	2.8.54	001

CHANGED NUMBER
CALLING EQUIPMENT

AMENDMENT PARTICULARS ISSUE DATE APPD

N.Z. P.O.

DRAWN: *MS* TRACED: *EB* CHECKED: *TS* APPROVED: *MS*

GBX. 12100

SHEET 1-18

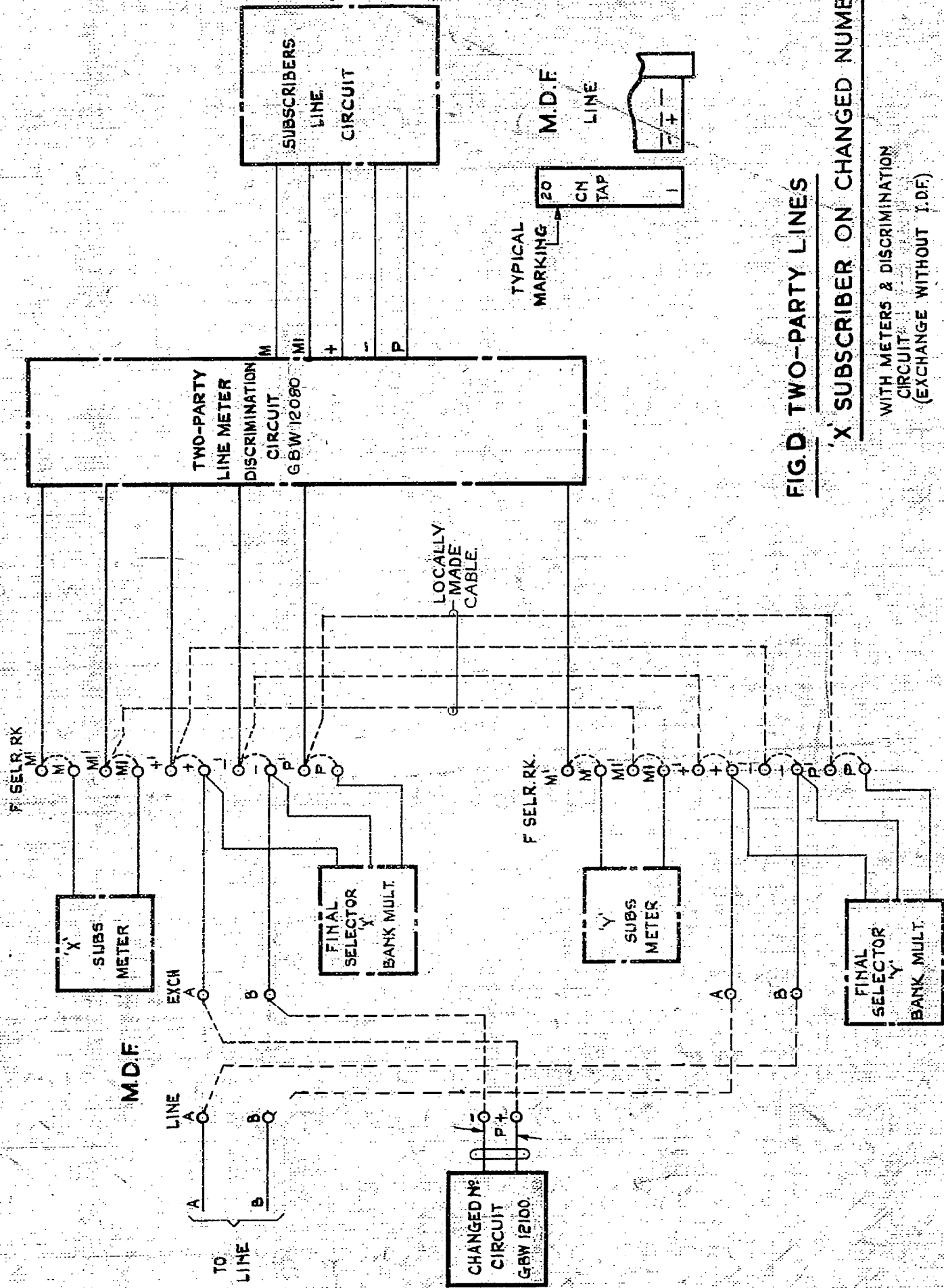


FIG. D TWO-PARTY LINES
'X' SUBSCRIBER ON CHANGED NUMBER
 WITH METERS & DISCRIMINATION CIRCUIT (EXCHANGE WITHOUT I.D.F.)

SHEETS 16 - 18 ADDED.	(81754)	4	28-11-67	AYB.
SHEETS 11 - 15 ADDED.	(77974)	3	4-6-63	DBH
DIAGRAM WAS 8 SHEETS. SHEET 2 WAS FIG. B.		2	9-5-55	CLW
CONNS. OF A & B LEADS AMENDED	(34769)	1	2-8-54	CLW
	(30963)			

CHANGED NUMBER CALLING EQUIPMENT

AMENDMENT PARTICULARS	ISSUE	DATE	APPD.	S
-----------------------	-------	------	-------	---

N.Z. P.O.

DRAWN *[Signature]* TRAC'D DB. CHECKED *[Signature]* APPROVED *[Signature]*

GBX 12100

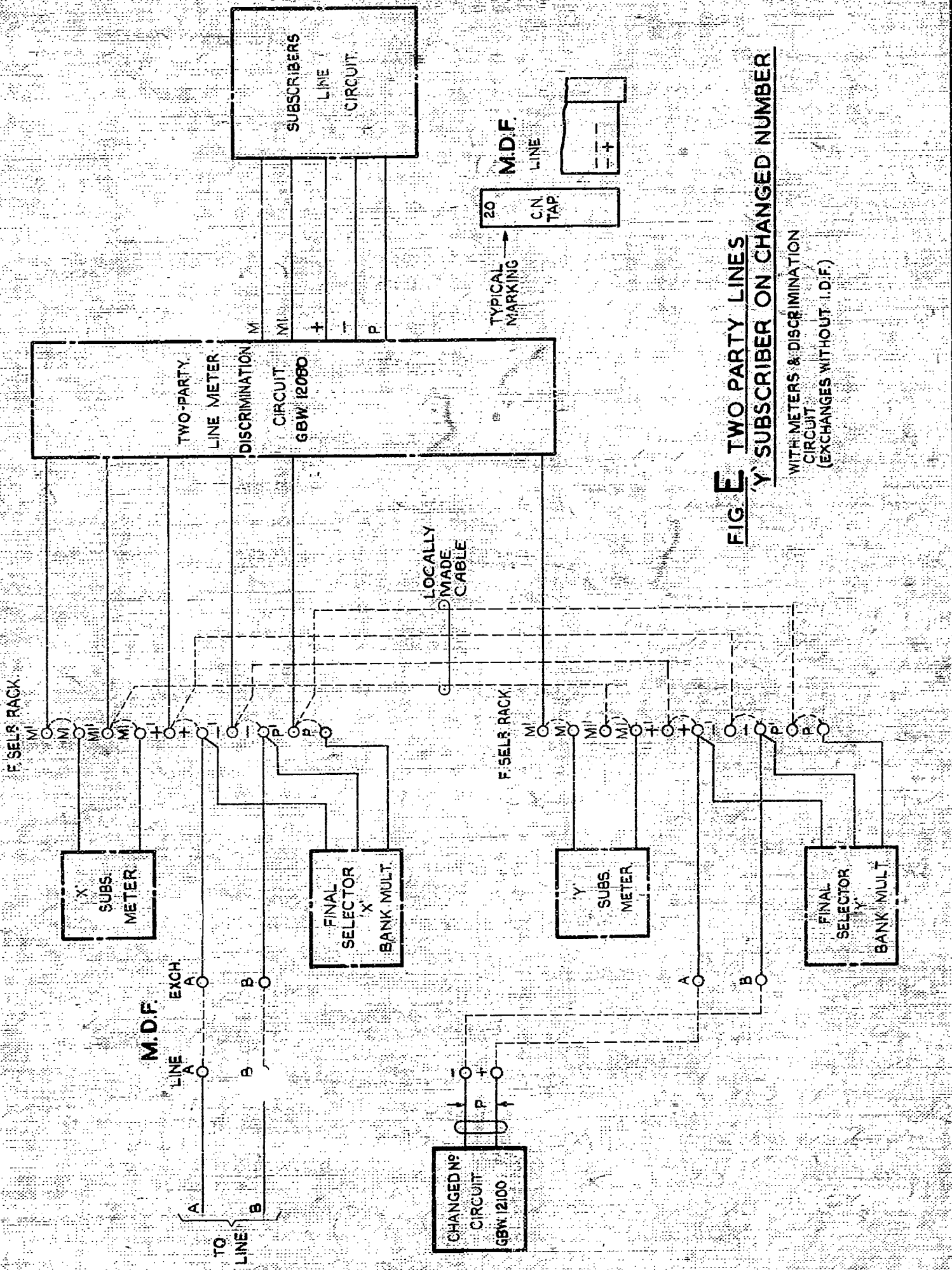


FIG E TWO PARTY LINES
'Y' SUBSCRIBER ON CHANGED NUMBER
 WITH METERS & DISCRIMINATION CIRCUIT (EXCHANGES WITHOUT I.D.F.)

SHEETS 16-18 ADDED.	(81754)	4	28-11-67	AKB
SHEETS 11-15 ADDED.	(77974)	3	4-6-63	DNH
DIAGRAM WAS 8 SHEETS FIG E WAS FIG C		2	9-5-55	CS
LOCALLY MADE CABLE WAS JUMPERS	(34769)			
	(30963)	1	2-8-54	UM*
MENDM	PARTICULARS	ISSUE	DATE	APPD
N.Z. P.O.	DRAWN	TRACED	CHECKED	APPROVED
	Y.P.O.	SH	Y.P.O.	UM

CHANGED NUMBER
 CALLING EQUIPMENT

GBX 12100

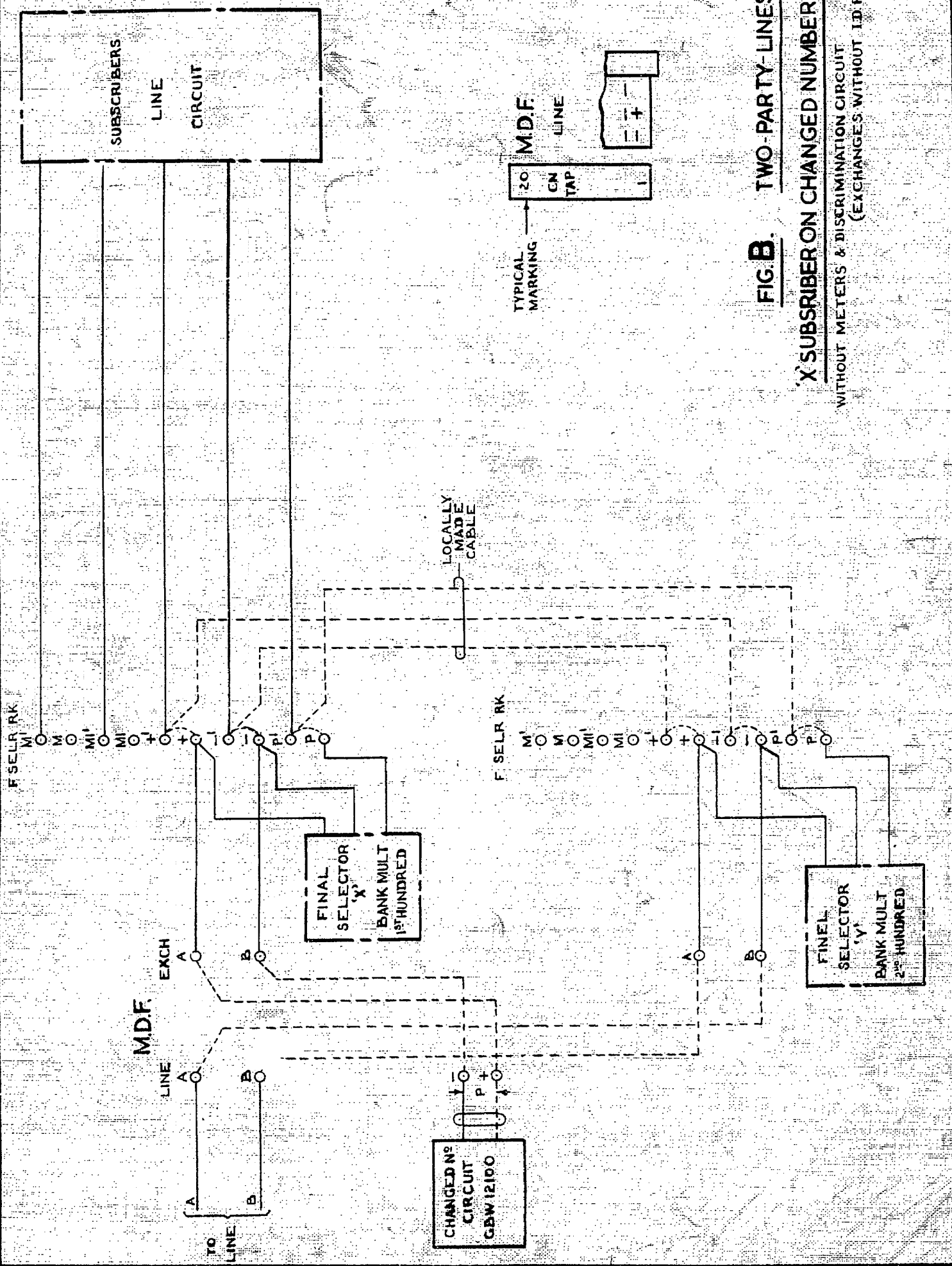
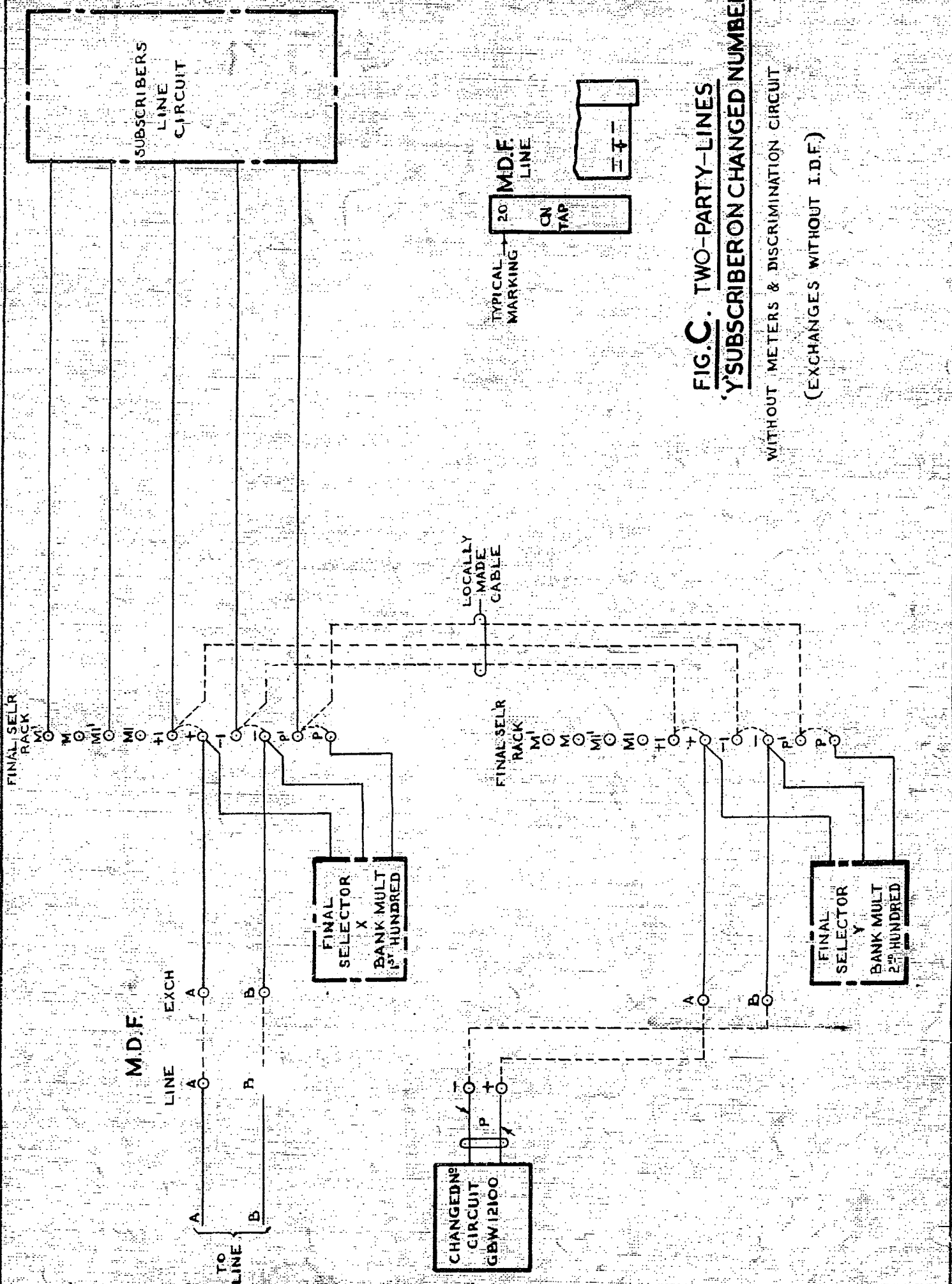


FIG B. TWO-PARTY-LINES
'X' SUBSCRIBER ON CHANGED NUMBER.
 WITHOUT METERS & DISCRIMINATION CIRCUIT
 (EXCHANGES WITHOUT I.D.F.)

SHEETS 16-18 ADDED.	(81754)	4	28-11-67	AVB
SHEETS 11-15 ADDED.	(77974)	3	4-6-63	DBK
REDRAWN DIAGRAM WAS 8 SHEETS. FIG B WAS FIG D		2	9-5-55	CLM
2 PARTY LINE METER DISC CONNS DELETED (34769)		1		
AMENDMENT PARTICULARS	ISSUE	DATE	APPD	S
INZPO	DRAWN	TRACED	CHECKED	APPROVED

**CHANGED NUMBER
 CALLING EQUIPMENT**

GBX 12100



**FIG. C. TWO-PARTY-LINES
'Y' SUBSCRIBER ON CHANGED NUMBER**
WITHOUT METERS & DISCRIMINATION CIRCUIT
(EXCHANGES WITHOUT I.D.F.)

SHEETS 16 - 18 ADDED.	(81754)	4	28-11-67	RPR
SHEETS 11 - 15 ADDED.	(77974)	3	4-6-63	NRN
REDRAWN DIAGRAM WAS 8 SHEETS FIG. C WAS FIG. E 2-PTY-LINE METER DISC. CONNS. DELETED. (34 763)		2	9-5-55	CLW
AMENDMENT PARTICULARS		1		
N.Z.P.O.	DRAWN	TRACED	CHECKED	APPROVED

**CHANGED NUMBER
CALLING EQUIPMENT**

GBX 12100

SHEET 5-18

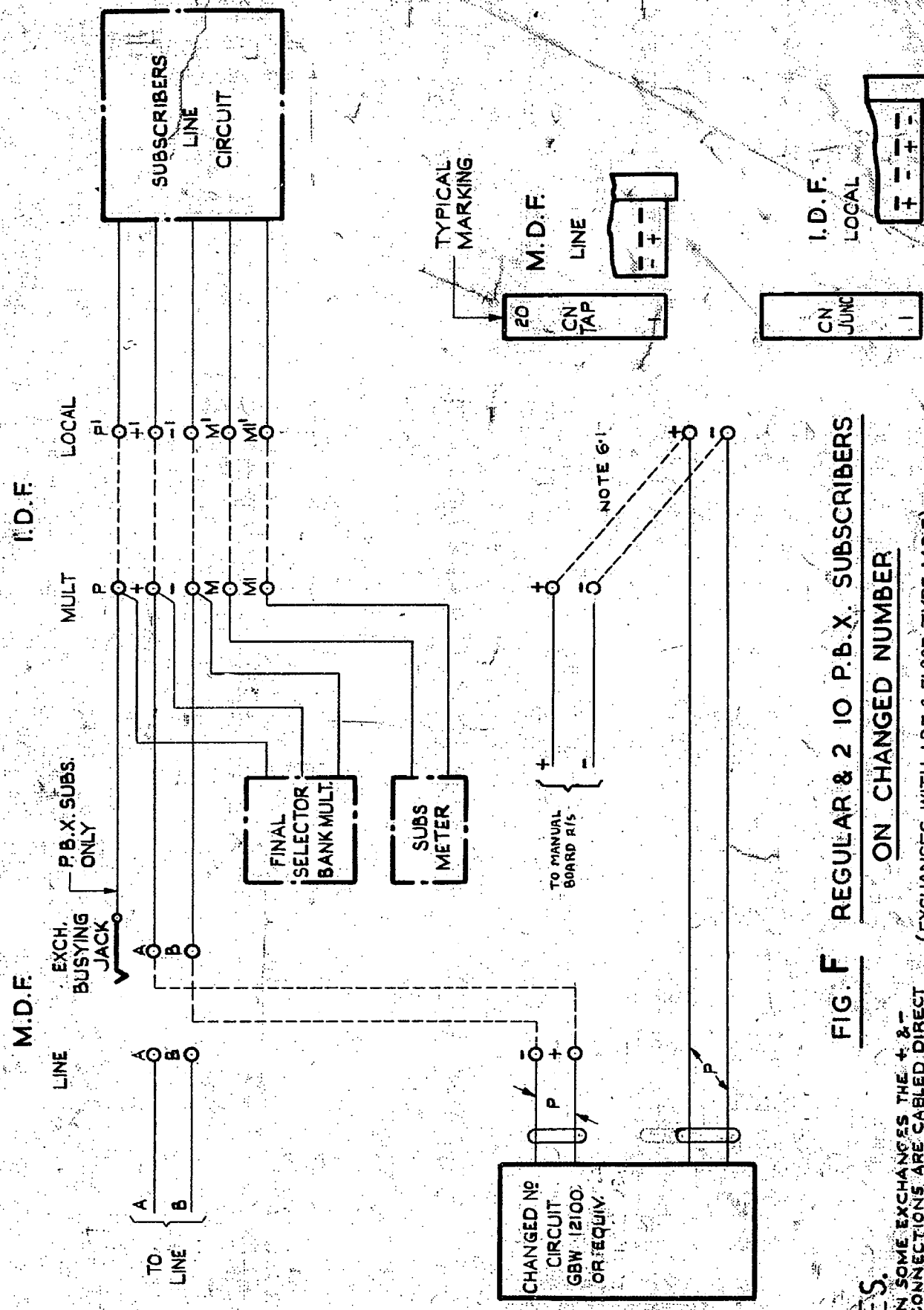


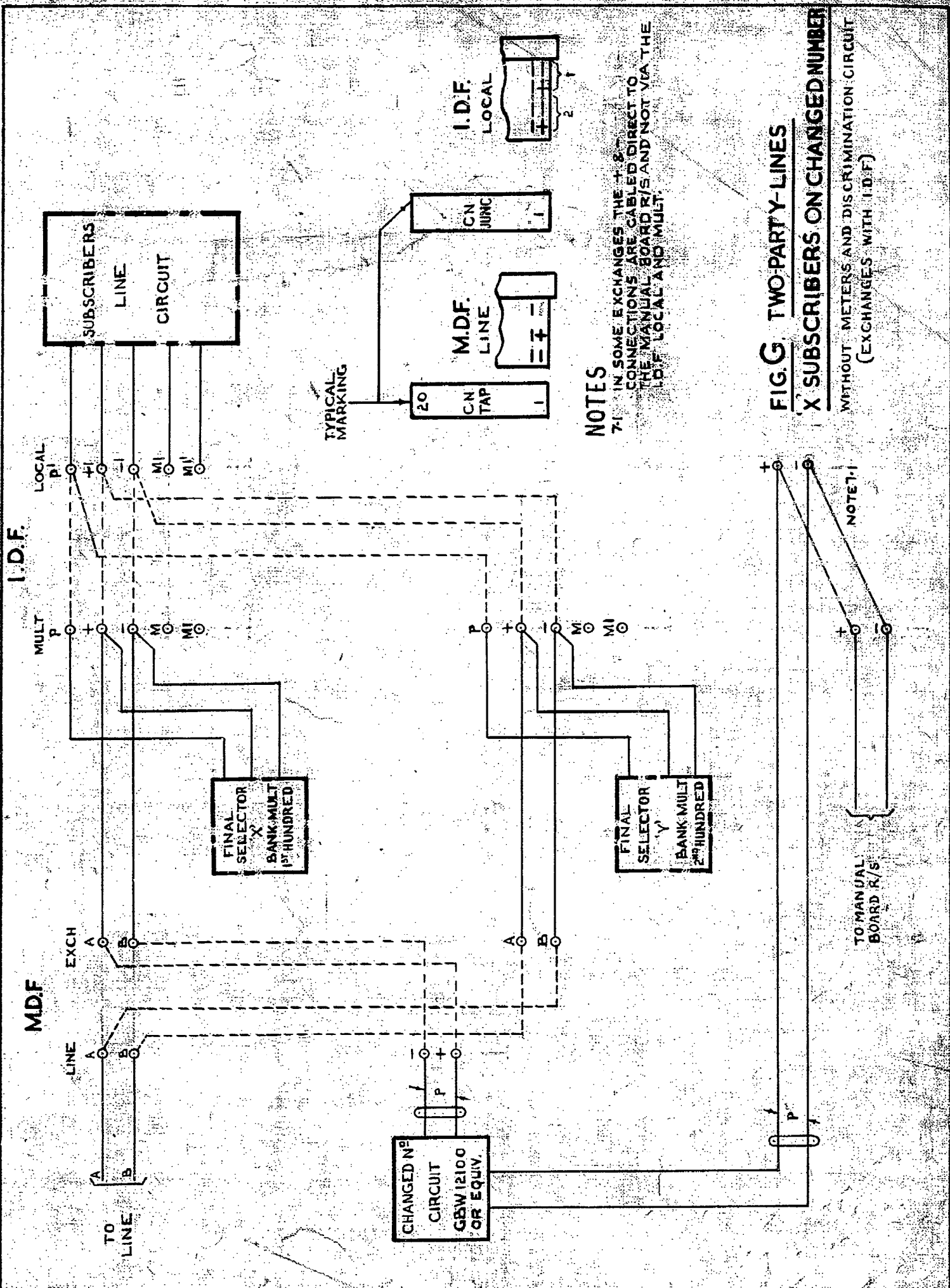
FIG. F REGULAR & 10 P.B.X. SUBSCRIBERS
ON CHANGED NUMBER

NOTES.
61 IN SOME EXCHANGES THE + & - CONNECTIONS ARE CABLED DIRECT TO THE MANUAL BOARD R/S AND NOT VIA THE I.D.F. LOCAL AND MULT.

REFERENCE TO M.D.F. FLOOR TYPE & SHTS. 16-18 ADDED (81754)	4	28-11-67	<i>978</i>
NOTE 6-1 AND SHEETS 11-15 ADDED (77974)	3	4-6-63	<i>08X</i>
REFS TO FIGS. 2B OR 2E & 2A (GBW 12100) DELETED	2		
AMENDMENT PARTICULARS	ISSUE	DATE	APPD.
NZPO	DRAWN	TRACED	CHECKED
	<i>Y...</i>	D.M.J.	<i>...</i>
			PROVED
			<i>EWD</i>

CHANGED NUMBER CALLING EQUIPMENT

GBX 12100



**FIG. G TWO-PARTY-LINES
X SUBSCRIBERS ON CHANGED NUMBER**
WITHOUT METERS AND DISCRIMINATION CIRCUIT
(EXCHANGES WITH I.D.F.)

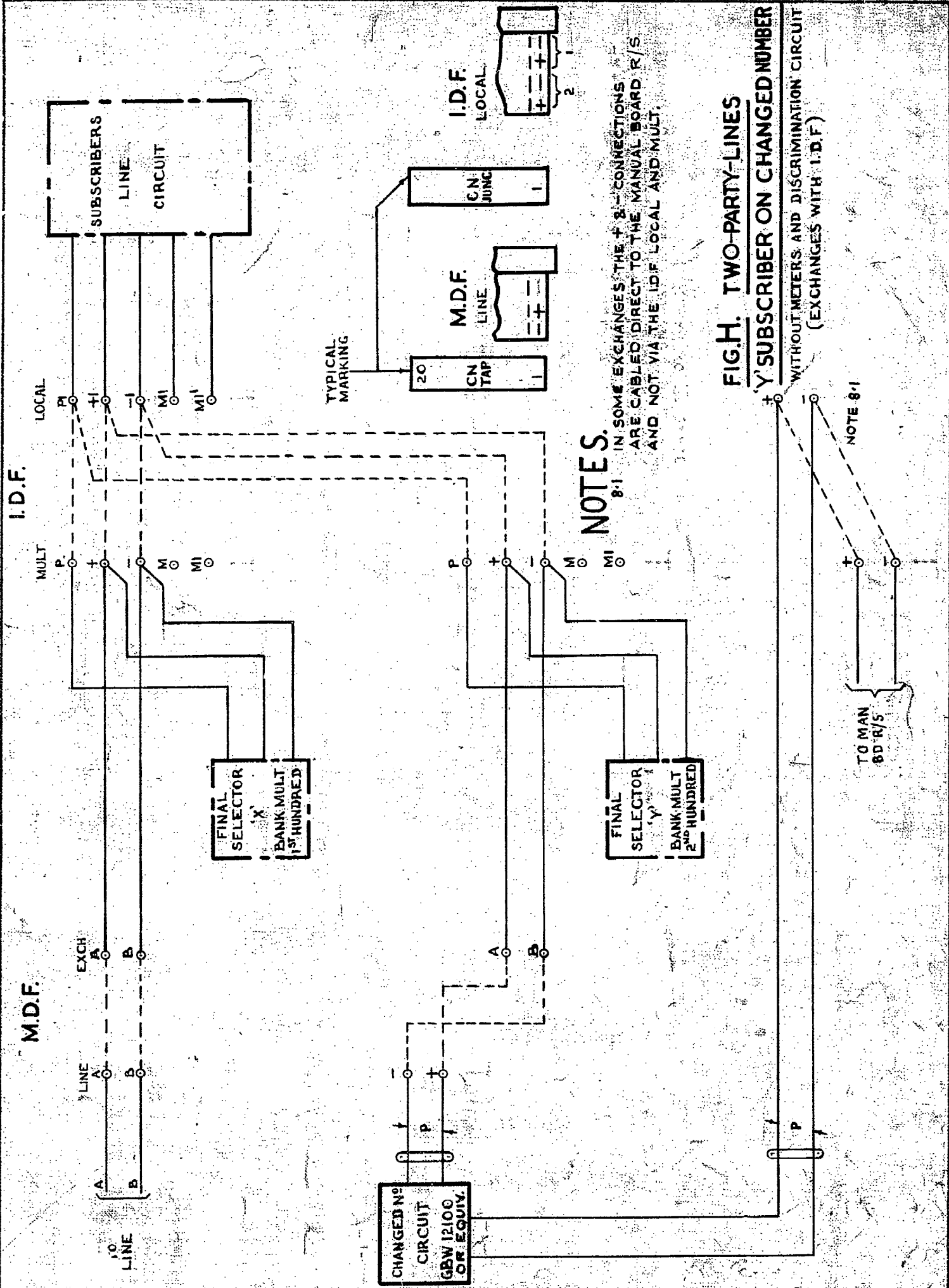
NOTES

7-1 IN SOME EXCHANGES THE + & - CONNECTIONS ARE CABLED DIRECT TO THE MANUAL BOARD R/S AND NOT VIA THE I.D.F. LOCAL AND MULT.

SHEETS 16-18 ADDED. (81754)		4	28-11-67	4/8
NOTE 7-1 AND SHEETS 11-15 ADDED (77974)		3	4-6-63	08N
SHEET 9 WAS SHEET 7 NEWSHEET 7. ADDED.		2		
AMENDMENT PARTICULARS	ISSUE	DATE	APPD	S
N.Z.P.O.	DRAWN	TRACED	CHECKED	APPROVED

**CHANGED NUMBER
CALLING EQUIPMENT**

GBX 12100



NOTES.

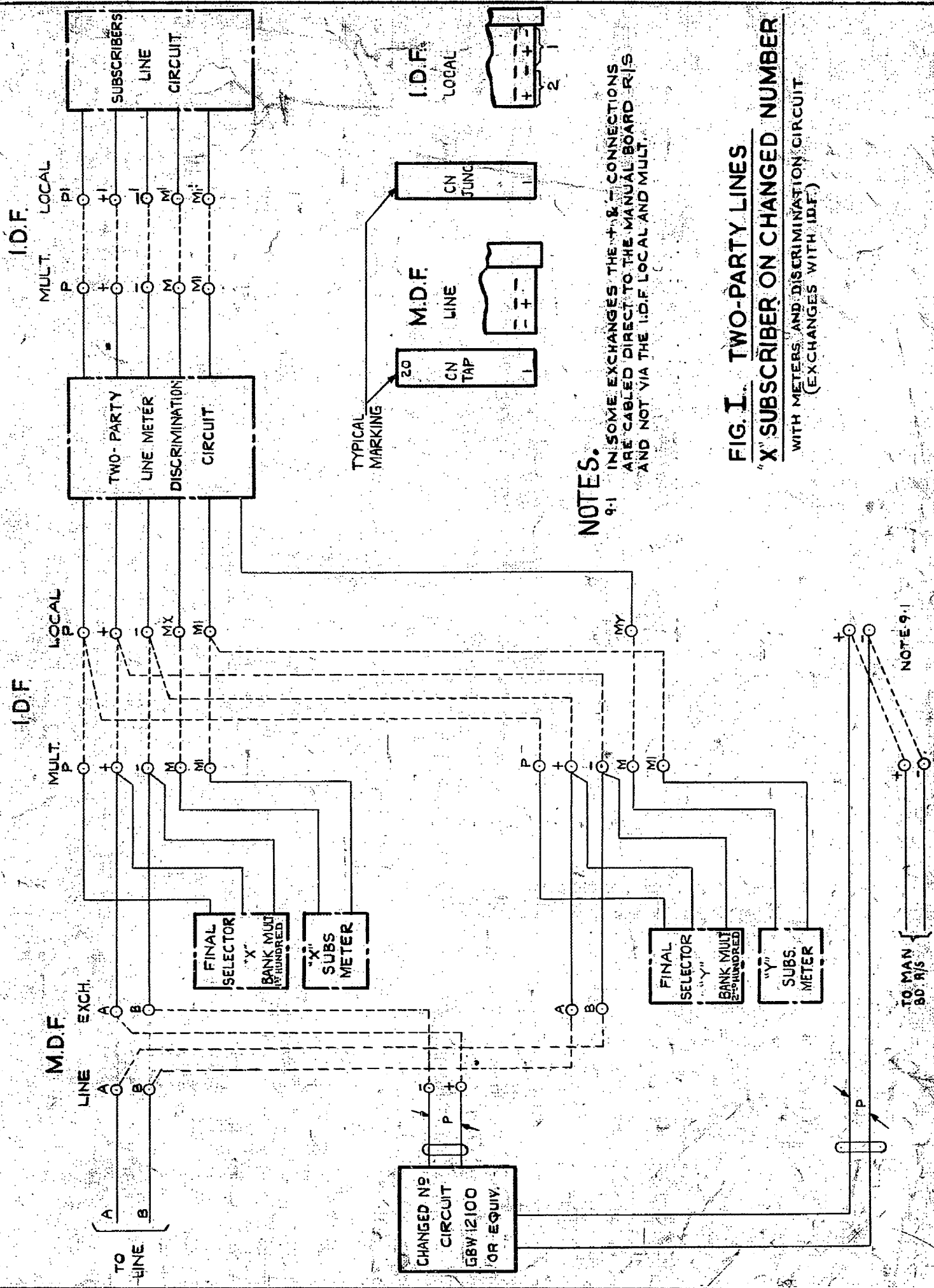
8:1 IN SOME EXCHANGES THE + & CONNECTIONS ARE CABLED DIRECT TO THE MANUAL BOARD R/S AND NOT VIA THE IDF LOCAL AND MULT.

**FIG.H. TWO-PARTY-LINES
'Y' SUBSCRIBER ON CHANGED NUMBER**
WITHOUT METERS AND DISCRIMINATION CIRCUIT
(EXCHANGES WITH I.D.F.)

NOTE 8:1

TO MAN 8D R/S

				CHANGED NUMBER	
				CALLING EQUIPMENT	
SHEETS 16-18 ADDED. (81754)		4	28-11-67	078	
NOTE 8:1 AND SHEETS 11-15 ADDED (77974)		3	4-6-63	08X	
SHEET 10 WAS SHEET 8. NEWSHEET 8 ADDED.		2			
AMENDMENT PARTICULARS			ISSUE DATE	APPD	\$
NZPO		DRAWN	TRACED	CHECKED	APPROVED
GBX 12100			SHEET 8-18		



NOTES.

9-1 IN SOME EXCHANGES THE + & - CONNECTIONS ARE CABLED DIRECT TO THE MANUAL BOARD R/S AND NOT VIA THE I.D.F. LOCAL AND MULT.

**FIG. I. TWO-PARTY LINES
"X" SUBSCRIBER ON CHANGED NUMBER
WITH METERS AND DISCRIMINATION CIRCUIT
(EXCHANGES WITH I.D.F.)**

SHEETS 16-18 ADDED. (81754)		4	28-11-67	0/S.
NOTE 9-1 AND SHEETS 11-15 ADDED (77974)		3	4-6-63	0/BH
WAS SHEET 7 A & B CONNS AMENDED		2		
		1		
AMENDMENT PARTICULARS		ISSUE	DATE	APPD.
N.Z.P.O.		DRAWN	TRACED	CHECKED
		DS.		APPROVED

**CHANGED NUMBER
CALLING EQUIPMENT**

GBX 12100

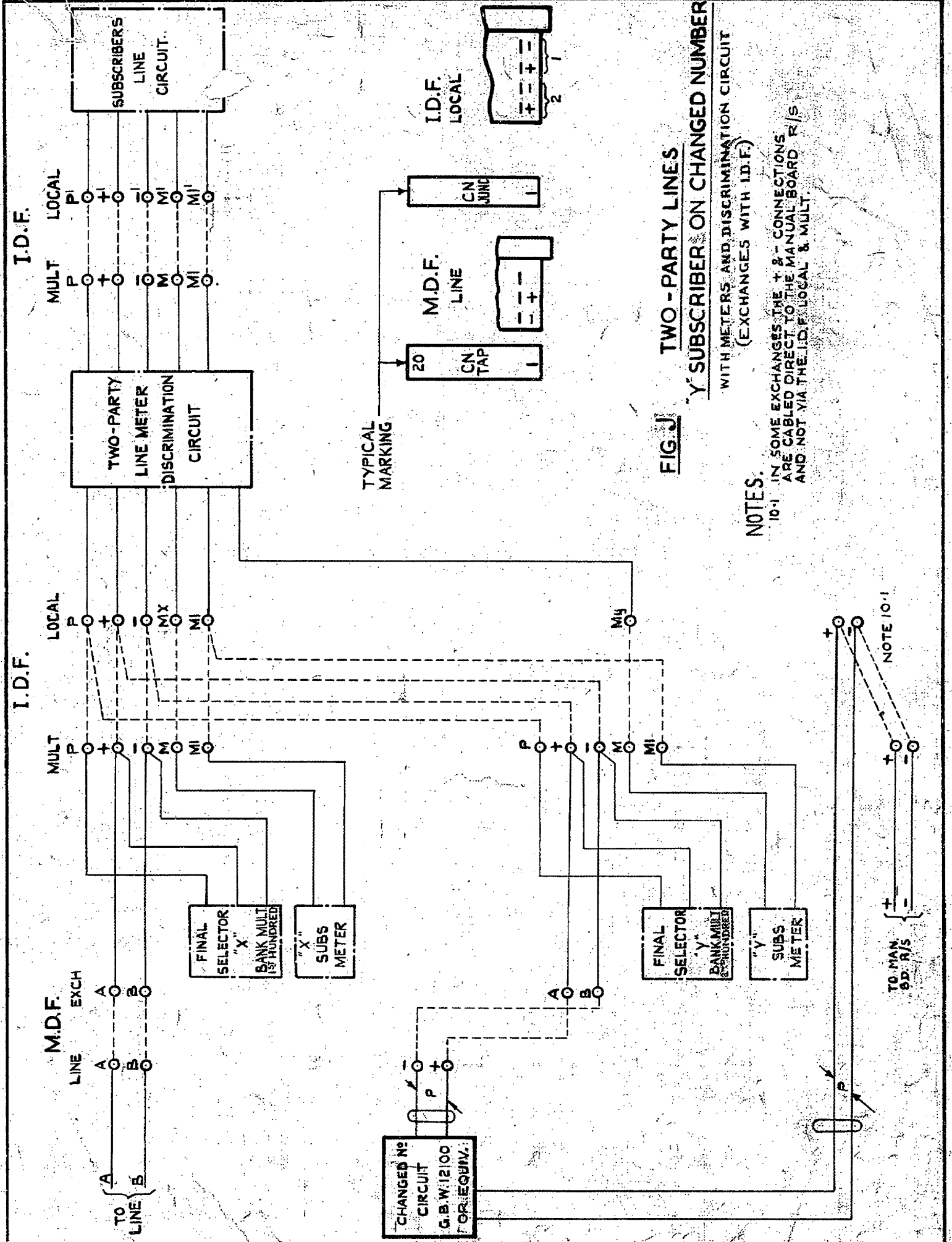


FIG. J TWO - PARTY LINES
 'Y' SUBSCRIBER ON CHANGED NUMBER
 WITH METERS AND DISCRIMINATION CIRCUIT
 (EXCHANGES WITH I.D.F.)

NOTES.
 10-1 IN SOME EXCHANGES THE + & - CONNECTIONS ARE CABLED DIRECT TO THE MANUAL BOARD R/S AND NOT VIA THE I.D.F. LOCAL & MULT.

NOTE 10-1
 TO MAN. OP. R/S

SHEETS 16-18 ADDED. (81754)	4	28-11-67	OTB.
NOTE 10-1 AND SHEETS 11-15 ADDED. (77974)	3	4-6-63	DBX.
WAS SHEET 8 FIG. J. WAS FIG. H	2		

CHANGED NUMBER CALLING EQUIPMENT

AMENDMENT PARTICULARS	ISSUE DATE	APPD.	S
NZ P.O.	DRAWN	TRACED	CHECKED
	LP		

GBX. 12100

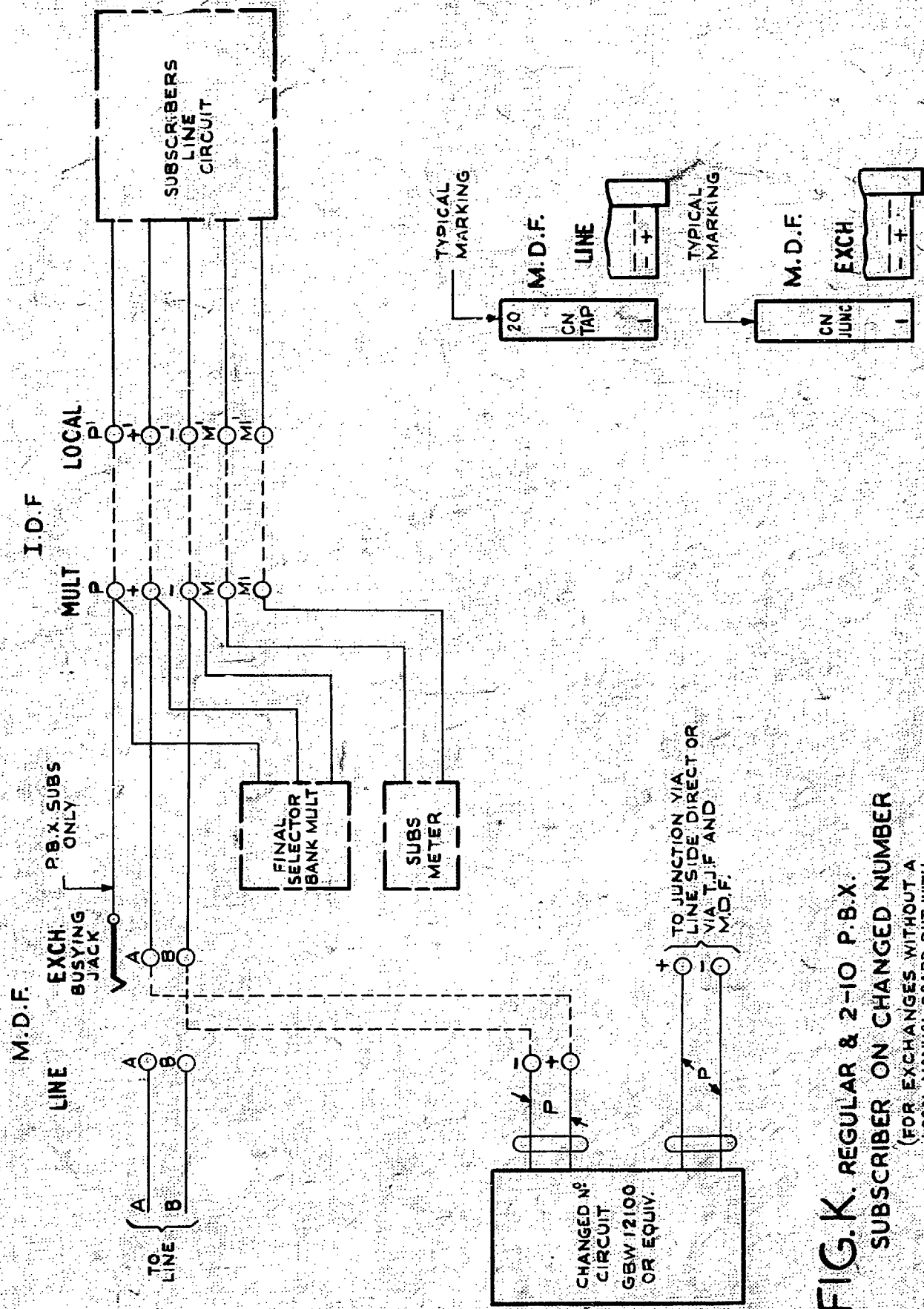
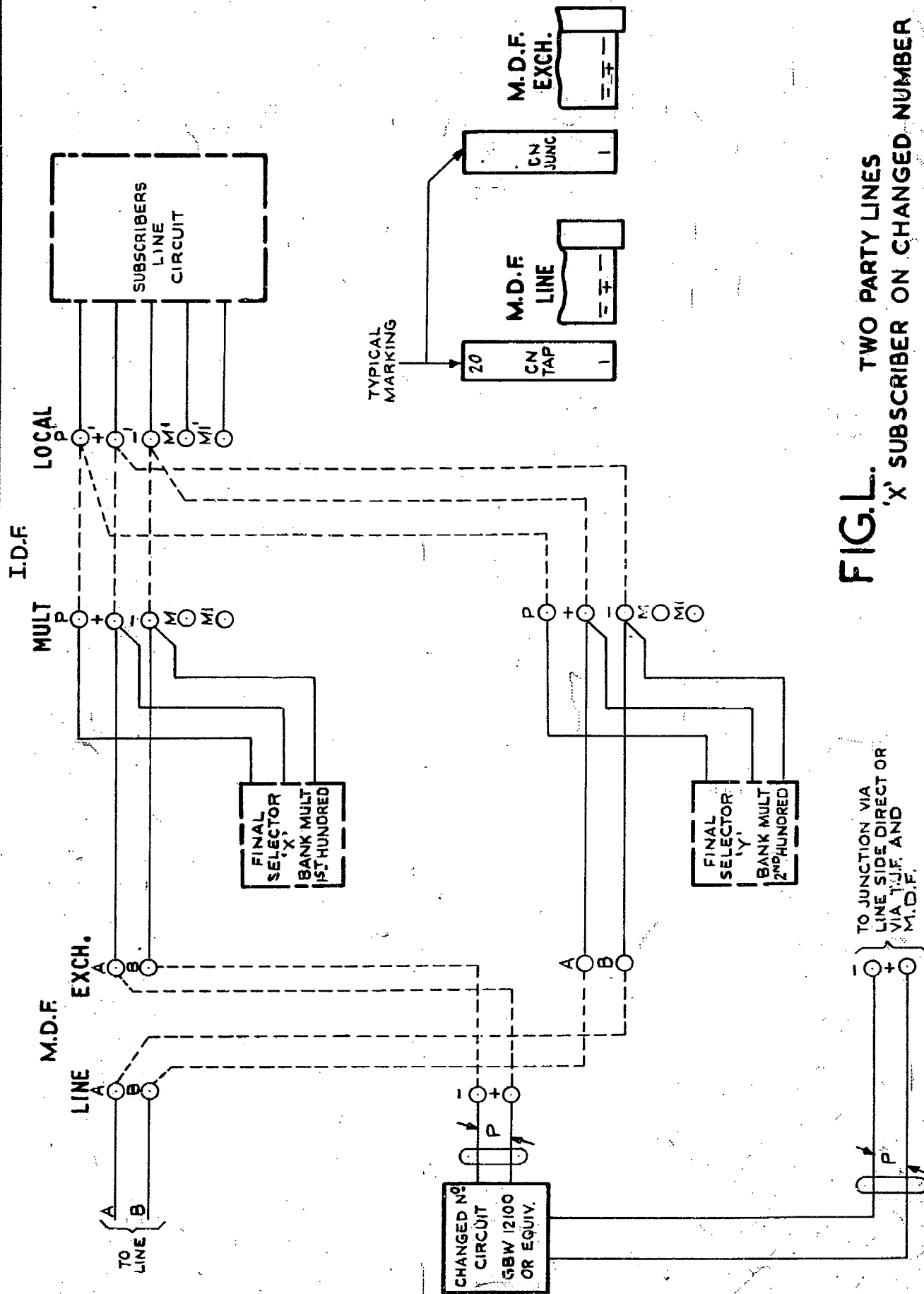


FIG. K. REGULAR & 2-10 P.B.X. SUBSCRIBER ON CHANGED NUMBER
 (FOR EXCHANGES WITHOUT A LOCAL MANUAL BOARD BUT WITH A FLOOR TYPE M.D.F.)

					CHANGED NUMBER CALLING EQUIPMENT	
SHEETS 16-18 & REFERENCE TO FLOOR TYPE M.D.F. ADDED (81754)		4	28-11-67	ONS.		
(77974)		3	4-6-63	DRX.		
AMENDMENT PARTICULARS		ISSUE	DATE	APP	REF	5
-NZ PO-		DRAWN M.A.	CHECKED G.A.P.	WIRING W.J.	CIRCUIT T.A.S.H.	GBX 12100
						SHEET 11-18



**FIG. L. TWO PARTY LINES
'X' SUBSCRIBER ON CHANGED NUMBER**
WITHOUT METERS AND DISCRIMINATING CIRCUIT.
(EXCHANGES WITHOUT A LOCAL MANUAL BOARD)

CHANGED NUMBER CALLING EQUIPMENT					
SHEETS 16 - 18 ADDED.		(81754)	4	28-11-47	R/B.
		(77974)	3	4-3-63	DRK
AMENDMENT PARTICULARS		ISSUE	DATE	APP	REF
- NZPO -		DRAWN M.A.	CHECKED G.A.	WIRING W.J.	CIRCUIT A.S.H.
GBX 12100					SHEET 12-18

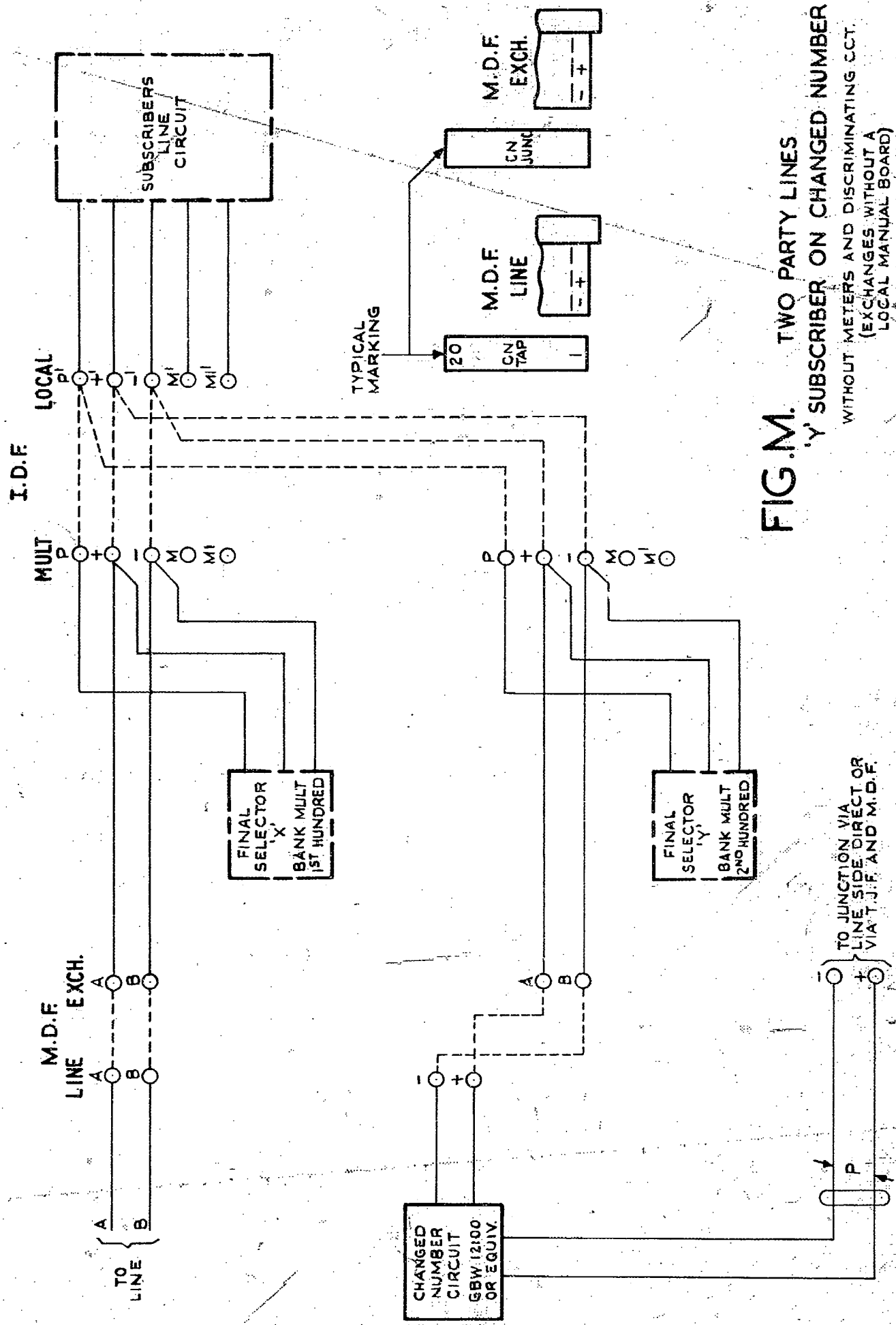


FIG.M. TWO PARTY LINES
'Y' SUBSCRIBER ON CHANGED NUMBER
 WITHOUT METERS AND DISCRIMINATING CCT.
 (EXCHANGES WITHOUT A LOCAL MANUAL BOARD)

CHANGED NUMBER CALLING EQUIPMENT

SHEETS 16 - 18 ADDED.		(81754)	4	28-11-67	N/B.
		(77974)	3	4-6-63	DBK
AMENDMENT PARTICULARS		ISSUE	DATE	APP	REF
-NZPO-		DRAWN	CHECKED	WIRING	CIRCUIT
		M.A.	G.A.	W.J.	A.S.H.

GBX 12100

SHEET 13-18

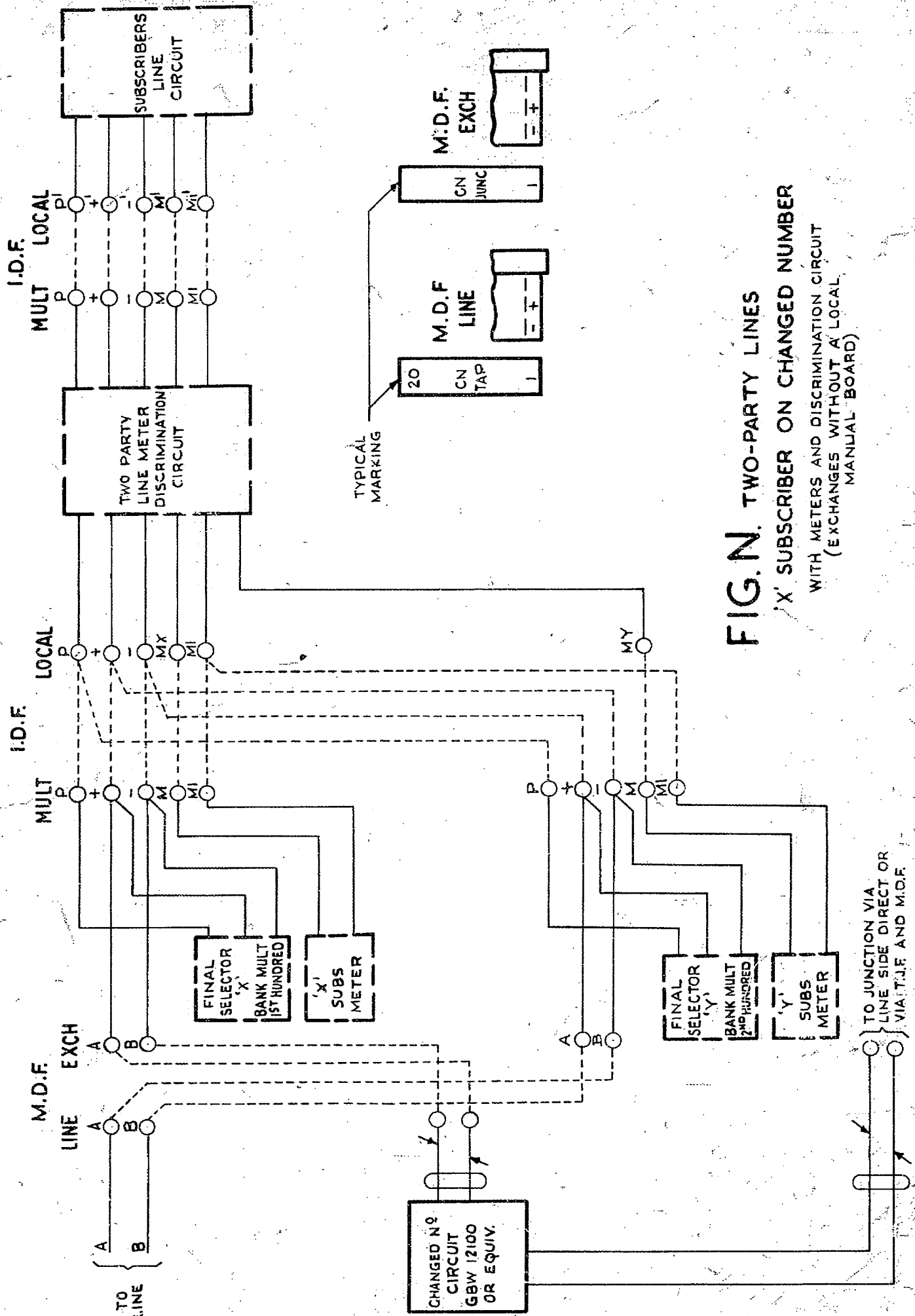


FIG. N. TWO-PARTY LINES
 'X' SUBSCRIBER ON CHANGED NUMBER
 WITH METERS AND DISCRIMINATION CIRCUIT
 (EXCHANGES WITHOUT A LOCAL
 MANUAL BOARD)

**CHANGED NUMBER
 CALLING EQUIPMENT**

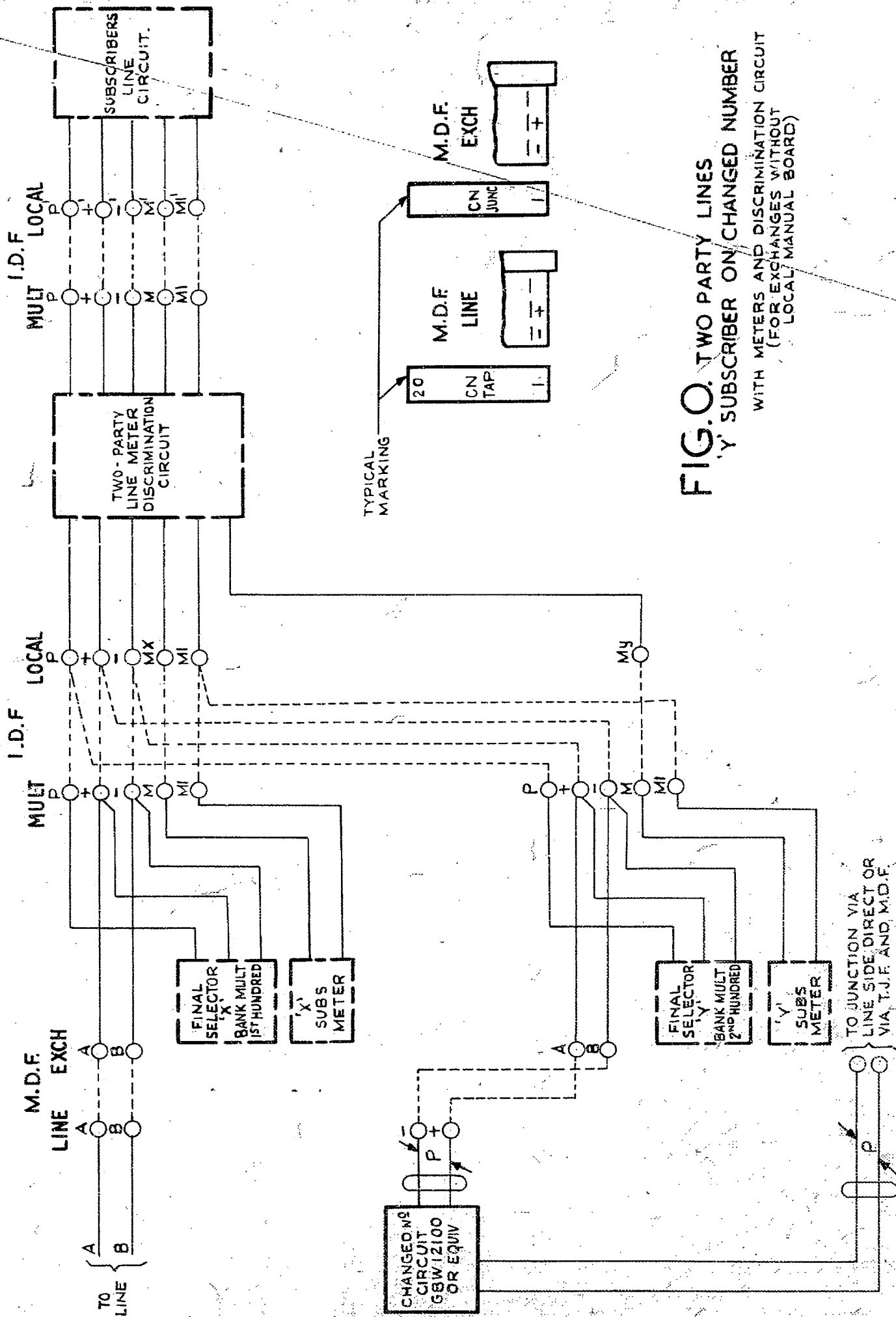
SHEETS 16 - 18 ADDED.	(81754)	4	28-11-67	928.
	(77574)	3	4663	00K

AMENDMENT PARTICULARS	ISSUE	DATE	APP	REF	S
-----------------------	-------	------	-----	-----	---

GBX 12100

**SHEET
 14-18**

NZPO	DRAWN	CHECKED	WIRING	CIRCUIT
	M.A.	G.A.	W.J.	A.S.H.



**FIG. O. TWO PARTY LINES
'Y' SUBSCRIBER ON/CHANGED NUMBER**
WITH METERS AND DISCRIMINATION CIRCUIT
(FOR EXCHANGES WITHOUT
LOCAL MANUAL BOARD)

					CHANGED NUMBERS CALLING EQUIPMENT	
SHEETS 16-18 ADDED.		(81754)	4	28-11-67	A/B	
		(77974)	3	4-6-63	DBK	
AMENDMENT PARTICULARS			ISSUE	DATE	APP	REF. -
-NZPO-			DRAWN	CHECKED	WIRING CIRCUIT	GBX 12100
			M.A.	G.A.	W.J. ASH	SHEET 15-18

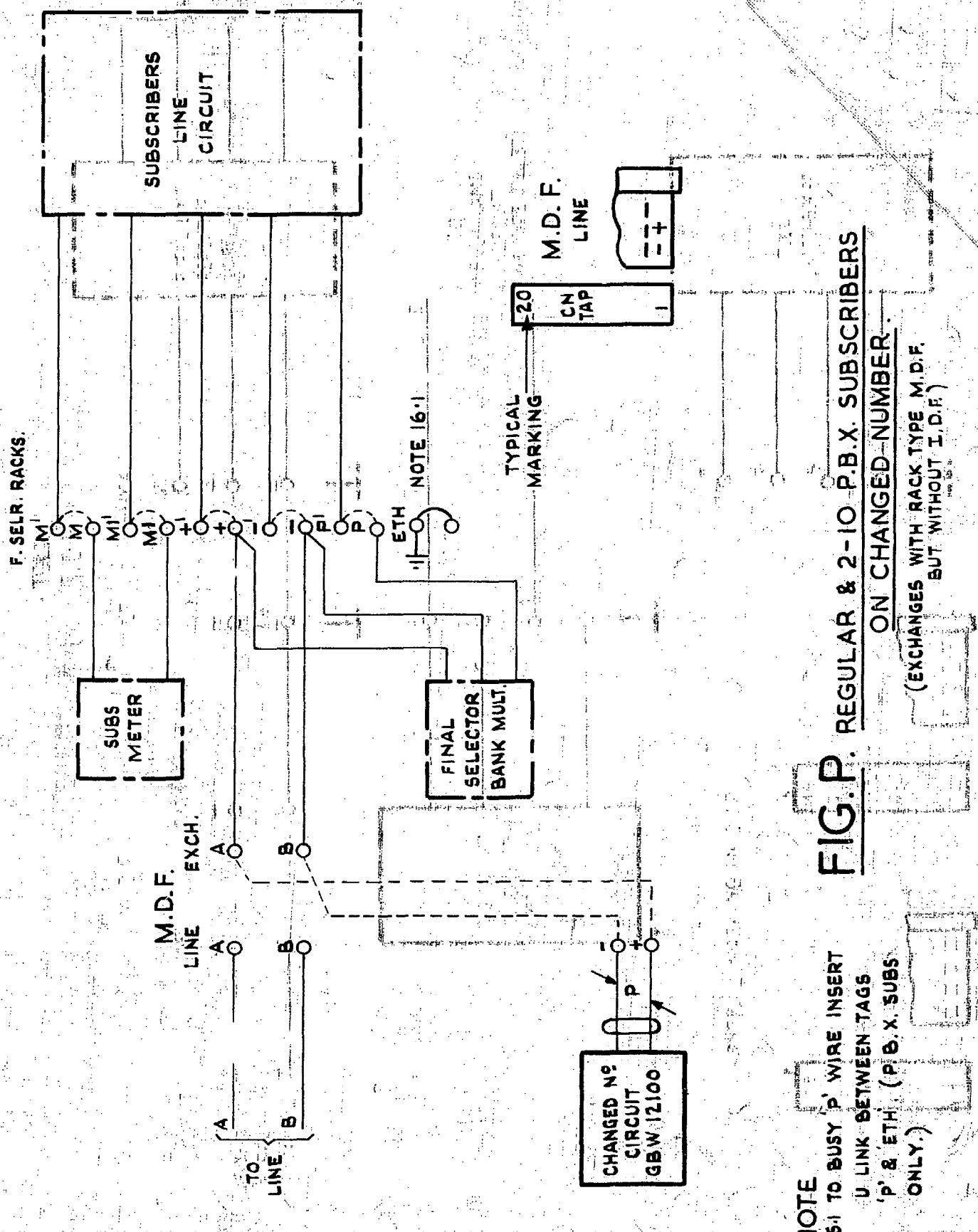


FIG. P. REGULAR & 2-10 P.B.X. SUBSCRIBERS ON CHANGED NUMBER (EXCHANGES WITH RACK TYPE M.D.F. BUT WITHOUT I.D.F.)

				CHANGED NUMBER CALLING EQUIPMENT			
				(81754)	4	28-11-67	D/S
AMENDMENT PARTICULARS		ISSUE	DATE	APP.	REF. :-	S	
N.Z.P.O.		DRAWN MH	CHECKED MH	WIRING CIRCUIT	GBX 12100	SHEET 16-18	

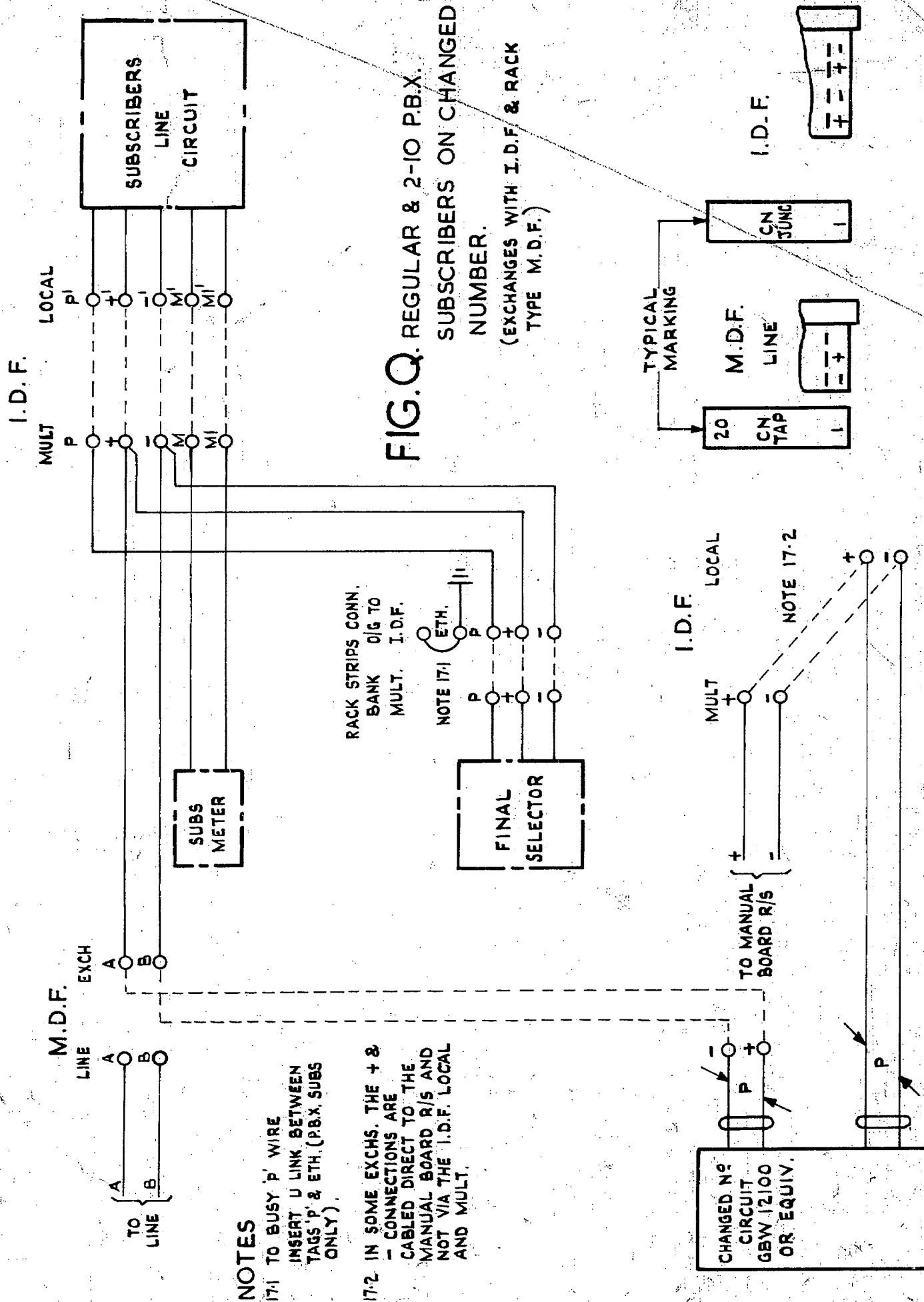


FIG. Q. REGULAR & 2-10 P.B.X.
SUBSCRIBERS ON CHANGED NUMBER.
 (EXCHANGES WITH I.D.F. & RACK TYPE M.D.F.)

NOTES

- 17-1 TO BUSY 'P' WIRE - INSERT U LINK BETWEEN TAGS 'P' & ETH. (P.B.X. SUBS ONLY)
- 17-2 IN SOME EXCHS. THE + & - CONNECTIONS ARE CABLED DIRECT TO THE MANUAL BOARD R/S AND NOT VIA THE I.D.F. LOCAL AND MULT.

					CHANGED NUMBER CALLING EQUIPMENT	
(81754)					4	28-11-67
AMENDMENT PARTICULARS			ISSUE	DATE	APP.	REF.
						S
-N.Z.P.O.-		DRAWN MH	CHECKED MH	WIRING	CIRCUIT	GBX 12100
						SHEET 17-18

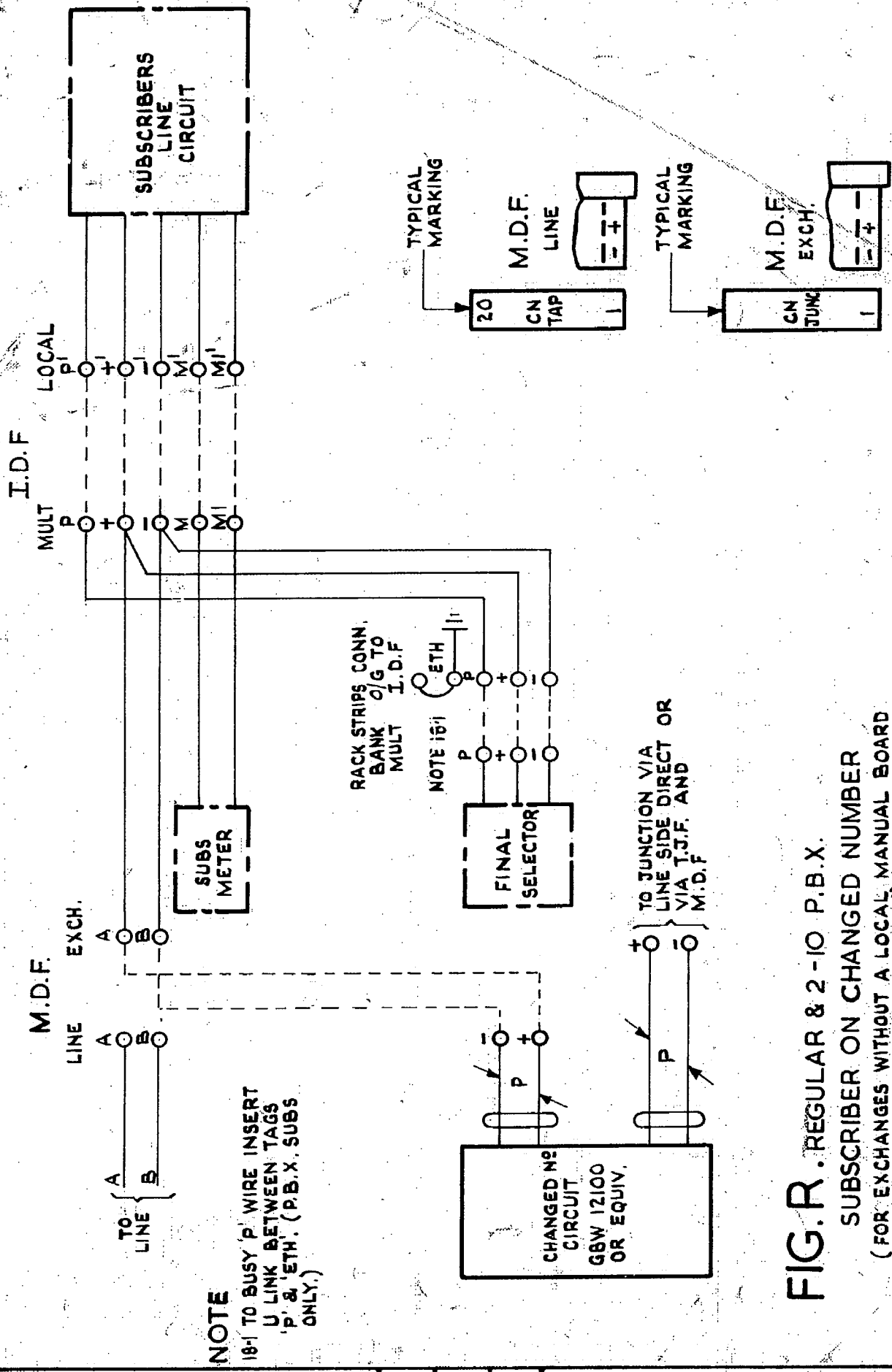


FIG. R. REGULAR & 2-10 P.B.X.
 SUBSCRIBER ON CHANGED NUMBER
 (FOR EXCHANGES WITHOUT A LOCAL MANUAL BOARD
 BUT WITH RACK TYPE M.D.F.)

				CHANGED NUMBER CALLING EQUIPMENT			
				(81754)	4	28/11/67	0/2
AMENDMENT PARTICULARS				ISSUE	DATE	APP.	REF. -
							S
-N.Z.P.O.-				DRAWN MH	CHECKED MH	WIRING CIRCUIT 175H	GBX 12100
							SHEET 18-18