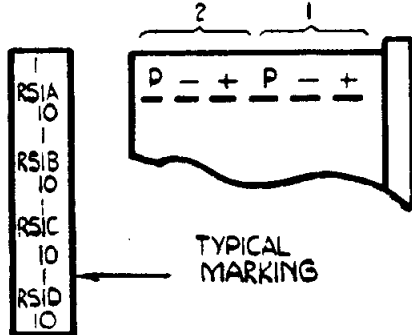
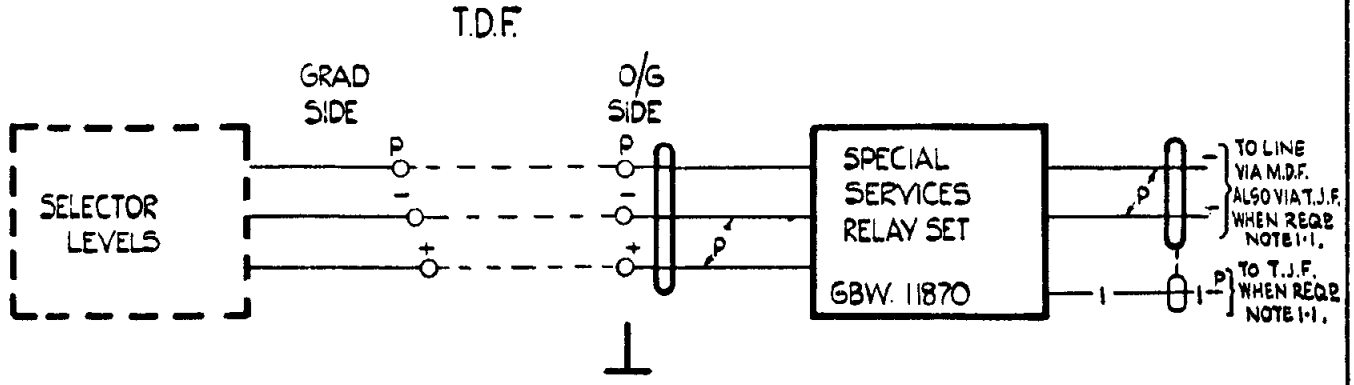


FIG. 1.

FROM SELECTOR LEVELS VIA T.D.F.



T.D.F. O/G.

NOTES :-

- 1-1 WHEN CONNECTION TO LINE VIA T.J.F. IS REQD CONNECTION SHOWN -|-|- TO BE USED IN ADDITION TO +&-.

SPECIAL SERVICES RELAY SET POSITIVE BATTERY METERING 2000 TYPE.				
NOTE 1-1 & P' WIRE CONN. TO T.J.F. ADDED.	(81193)	2	3.4.68	<i>[Signature]</i>
	(31484)	1	4.5.54	<i>[Signature]</i>
AMENDMENT PARTICULARS.	ISSUE.	DATE.	APP'D	
GBX. 11870.				
N.Z.P.O.	RWE <i>[Signature]</i>	<i>[Signature]</i>	17.6.52	SHEET 1-2

