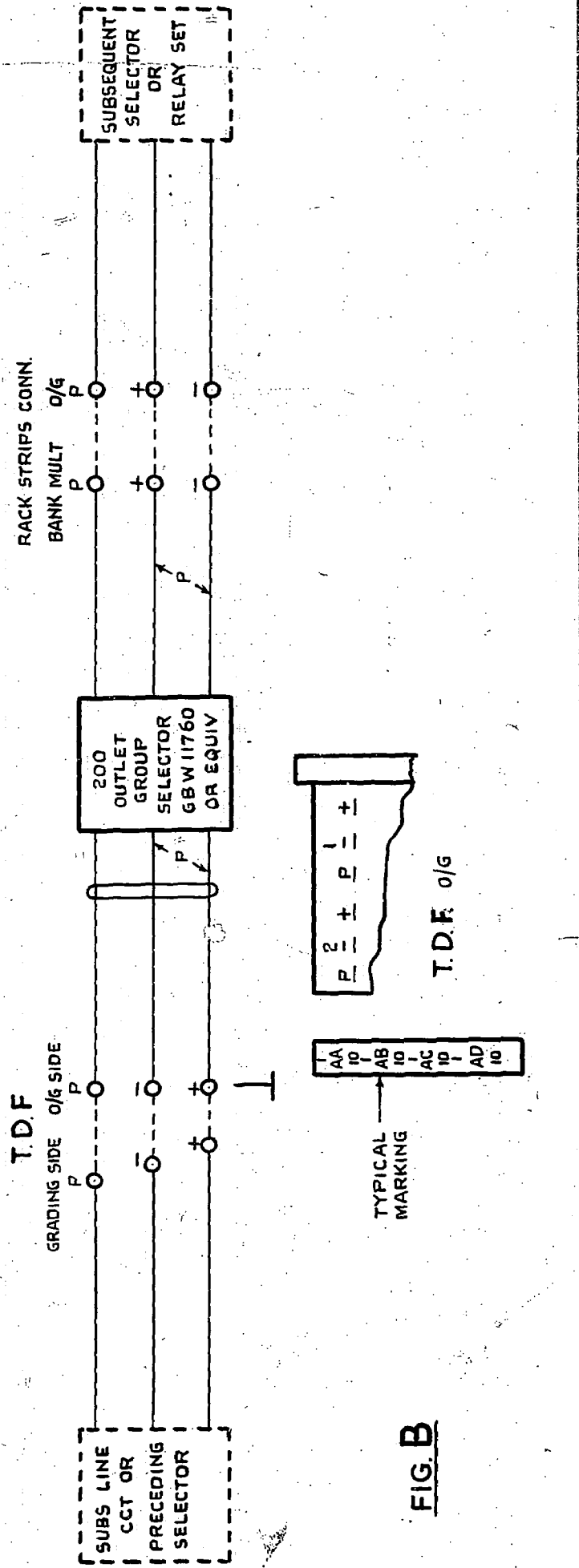


**FIG. A**  
NOT TO BE USED FOR NEW WORK.



**FIG. B**

NOTE 1 DELETED. WAS SHEET 1-3	(93961)	7	3-3-69	GE
FIG. A, NOTE RENEW WORK ADDED WAS SHEET 1-2		6		
11761 ADDED TO DIAGRAM NUMBER		5		
NOTE 1 ADDED		4		
NO CHANGE ISSUE ADVANCED ONLY		3		
MADE SHEET 1-2		2		
		1		
AMENDMENT PARTICULARS		ISSUE	DATE	APP'D
NZPO		DRAWN	CHECKED	WIRED
				ENGIN'RS
				4/9/51

GROUP SELECTOR 200 OUTLET, 2000 TYPE, FOR RACKS WITH GRADING FACILITIES.

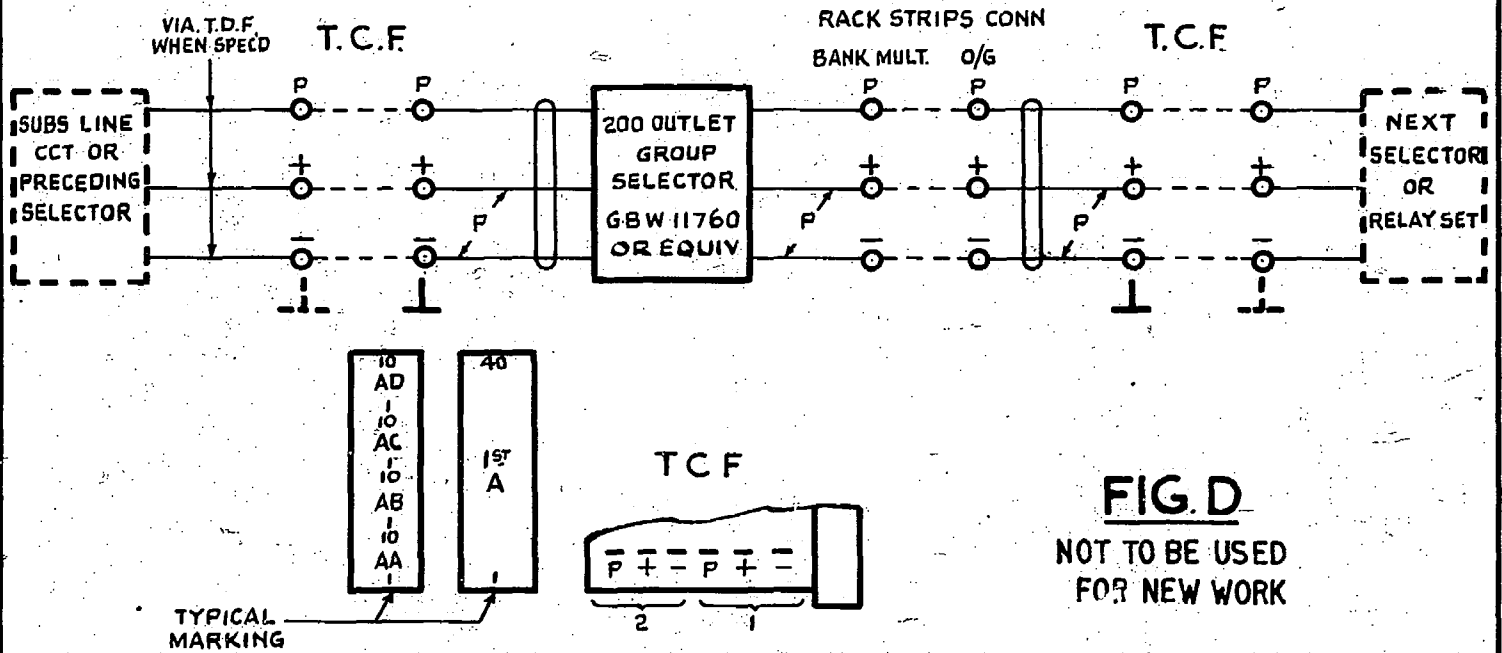
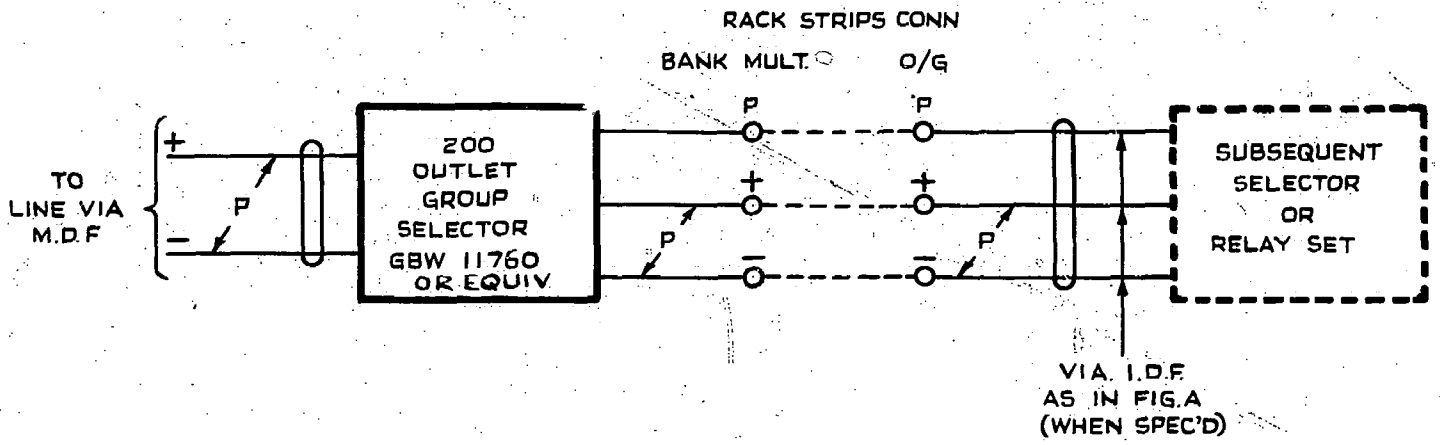
AMENDMENT PARTICULARS

SIZE F E

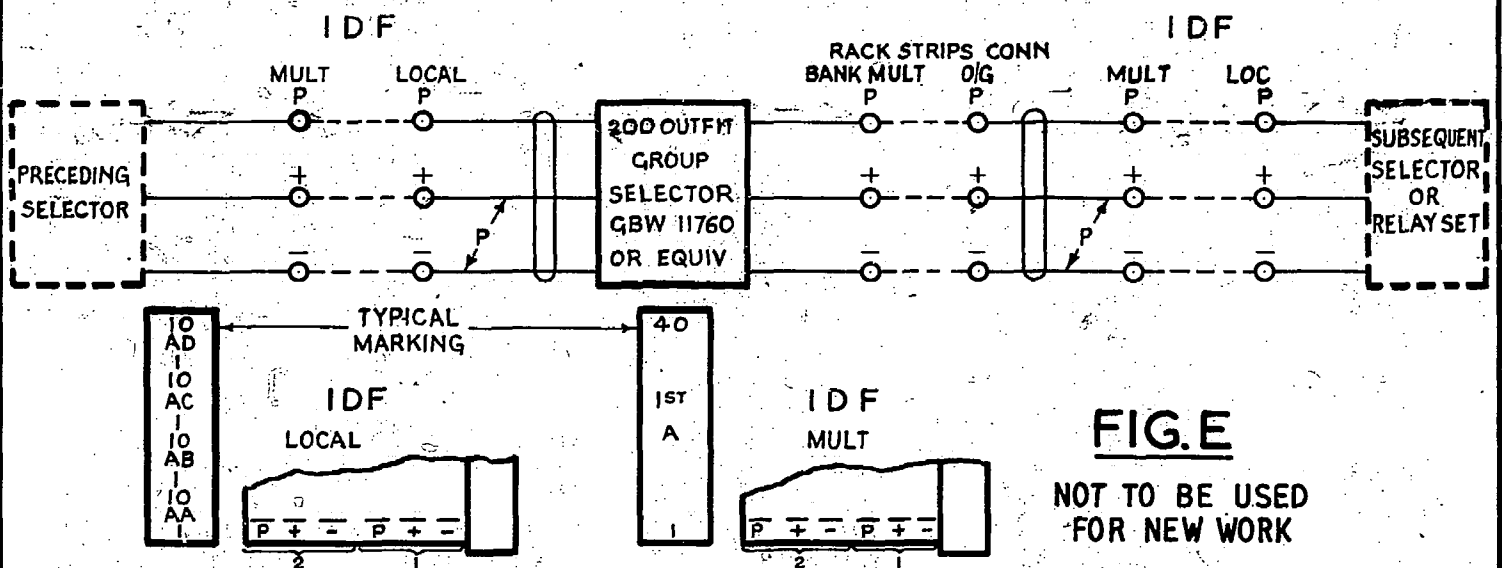
GBX 11760  
11761

SHEET 1-4

**FIG. C**

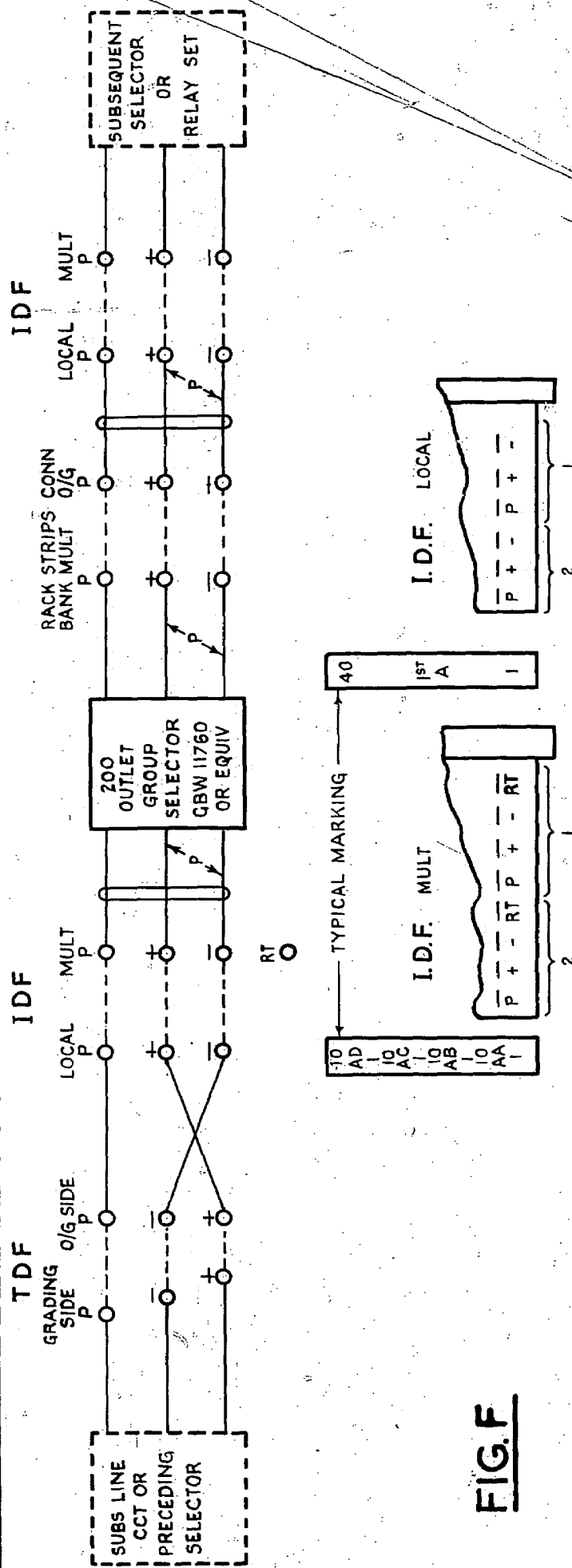


**FIG. D**  
NOT TO BE USED FOR NEW WORK

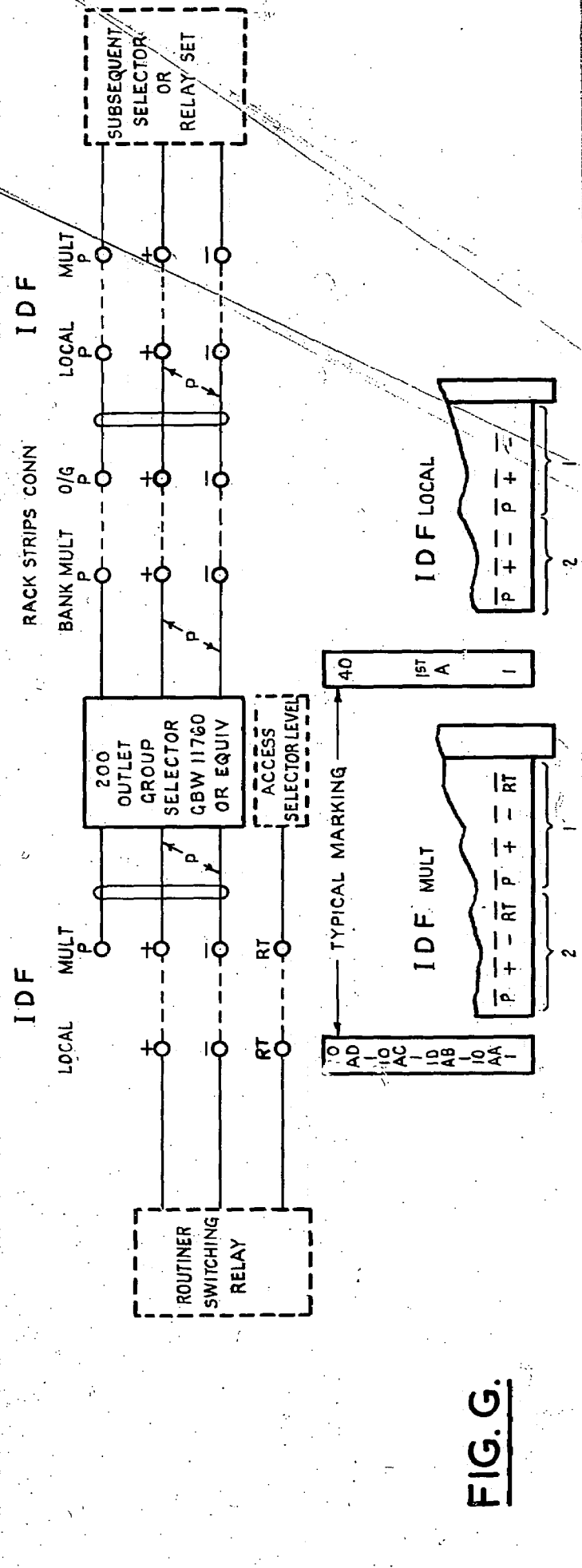


**FIG. E**  
NOT TO BE USED FOR NEW WORK

WAS SHEET 2-3	(93961)	7	3-3-69	GE	GROUP SELECTOR 200 OUTLET. 2000 TYPE FOR RACKS WITH GRADING FACILITIES.
FIG. E ADDED. NOTES RENEW WORK ADDED		6			
11761 ADDED TO DIAGRAM NUMBER		5			
NO CHANGE ISSUE ADVANCED ONLY		4			
FIG. D ADDED		3			
		2			
AMENDMENT PARTICULARS		ISSUE	DATE	APP'D	SIZE F E
NZPO	DRAWN B.B.	CHECKED	WIRING	CIRCUIT	GBX 11760 11761
					SHT. 2-4



**FIG. F**



**FIG. G**

					GROUP SELECTOR 200 OUTLET		
					2000 TYPE		
					FOR RACKS WITH		
					GRADING FACILITIES		
WAS SHEET 3-3		(93961)	7	3.3.69	GE		
			6				
AMENDMENT PARTICULARS			ISSUE	DATE	APPD.	SIZE	F
							E
NZPO		DRAWN	CHECKED	WIRING	CIRCUIT	GBX 11760 11761	
						SHT 3-4	

FIG.H

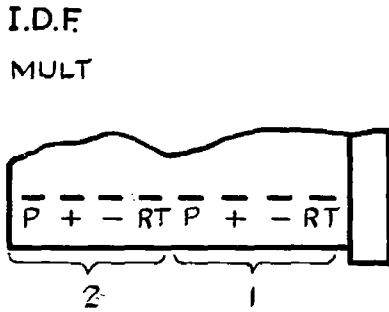
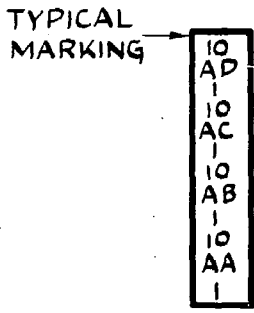
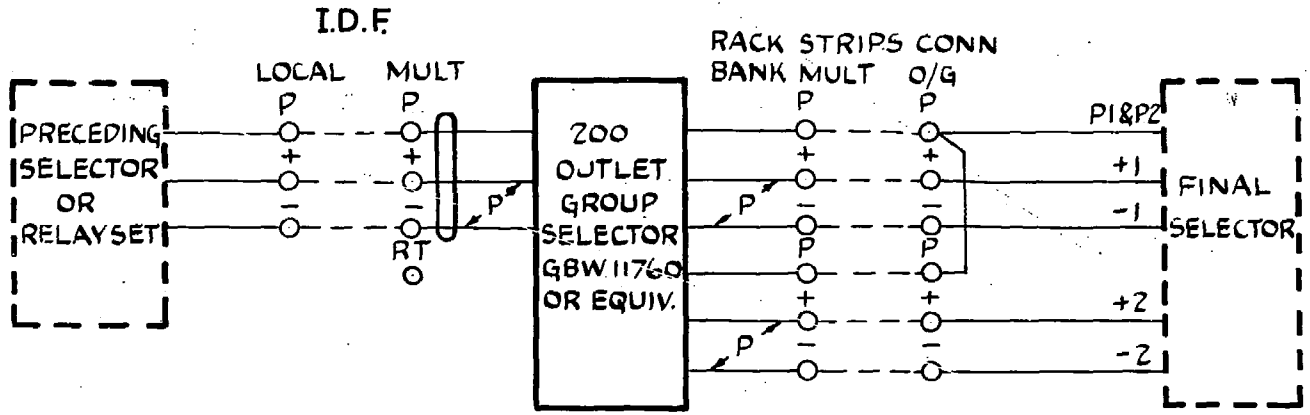
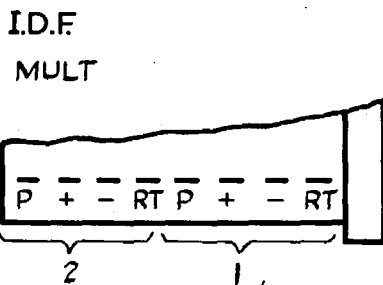
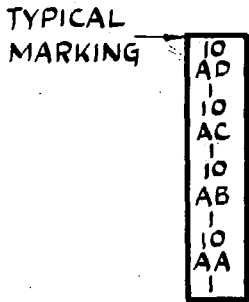
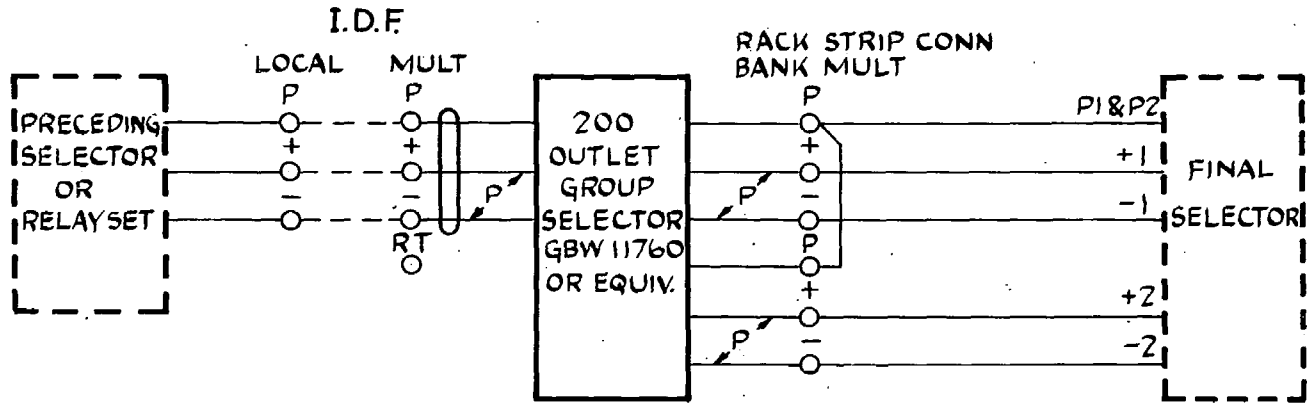


FIG.J



					GROUP SELECTOR 200 OUTLET 2000 TYPE FOR RACKS WITH GRADING FACILITIES			
					(93961)	7.	3-3-69	
AMENDMENT PARTICULARS					ISSUE	DATE	APP?	SIZE F
NZPO					DRAWN	CHECKED	WIRING CIRCUIT	E
					GBX 11760 11761			SHEET 4-4