

FIG. A

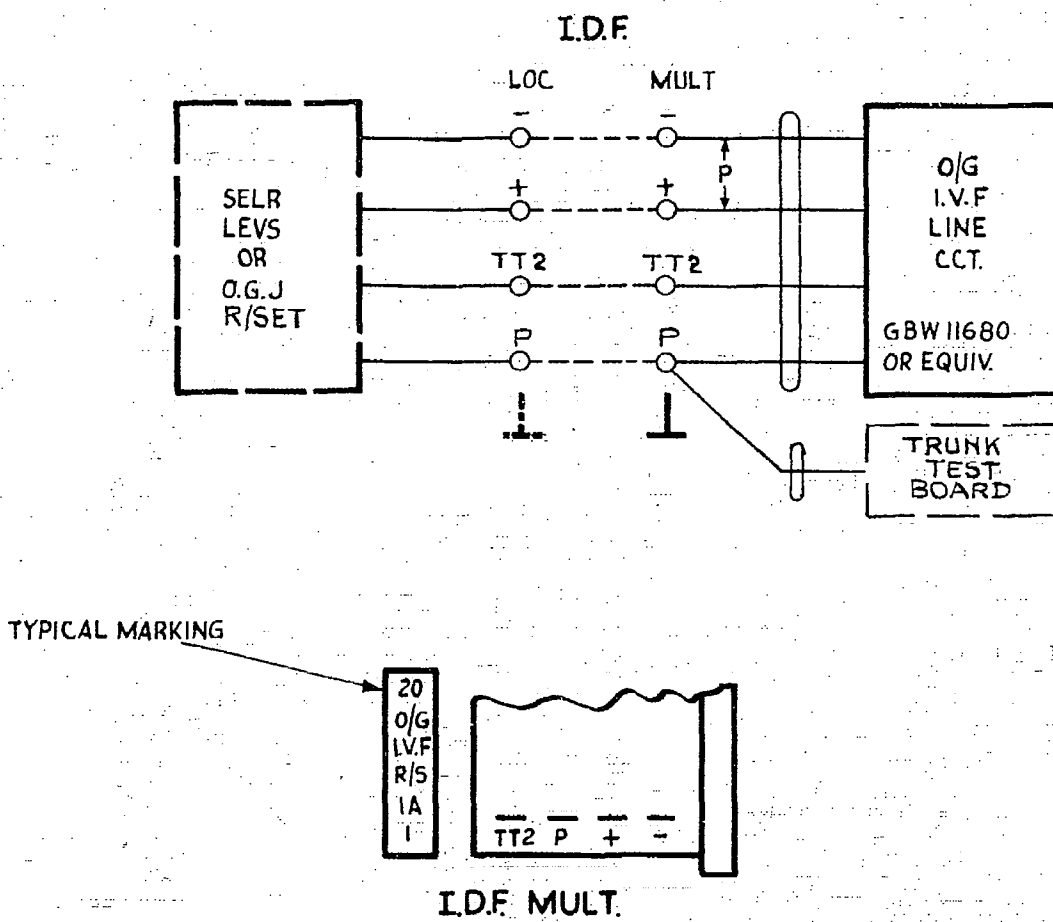
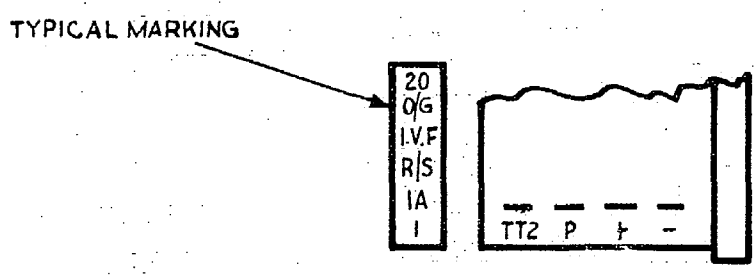
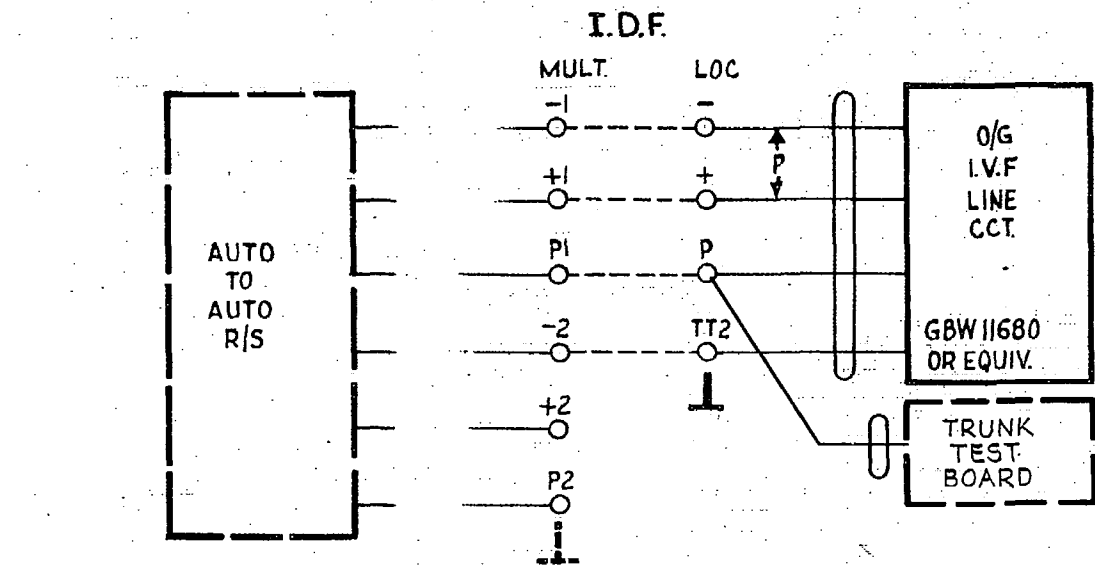


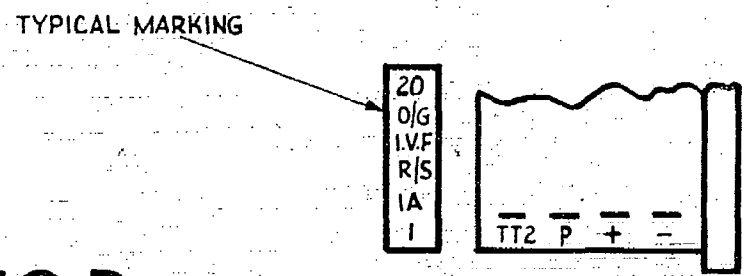
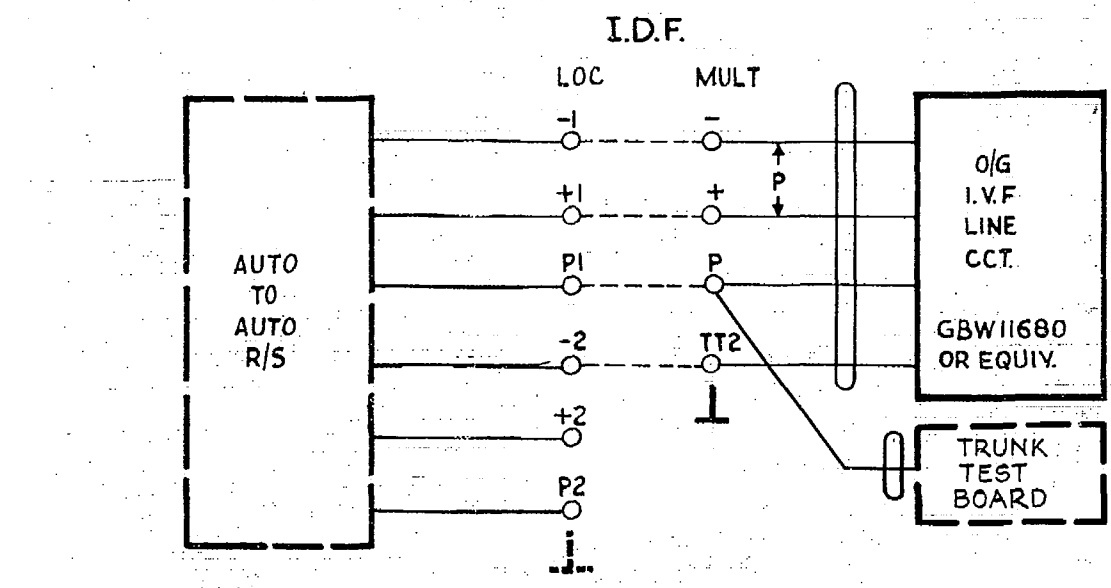
FIG. B

					O/G I.V.F. LINE CIRCUIT FOR BOTHWAY WORKING
SEE SHEET 2.	(35508)	2	5.12.60	OK	
	(35366)	1	10.11.60	OK	
AMENDMENT PARTICULARS			ISSUE DATE	APPD	REF:
GBX 11680					SHEET 1-2
N.Z. P.O.	DRAWN B.A.	CHECKED BA.	WIRING	CIRCUIT KSH	



I.D.F. LOC.

FIG. C.



I.D.F. MULT.

FIG. D.

					O/G I.V.F. LINE CIRCUIT FOR BOTHWAY WORKING	
CONNS. TO T.T. BOARD ADDED, FIGS C & D (35508)		2	5.12.60	<i>AK</i>		
(35366)		1	10.11.60	<i>AK</i>		
AMENDMENT PARTICULARS			ISSUE	DATE	APPD	REF:
						S
-N.Z.P.O.		DRAWN	CHECKED	WIRING	CIRCUIT	GBX 11680
		B.A.	<i>BR</i>	<i>ASH</i>		SHEET 2-2