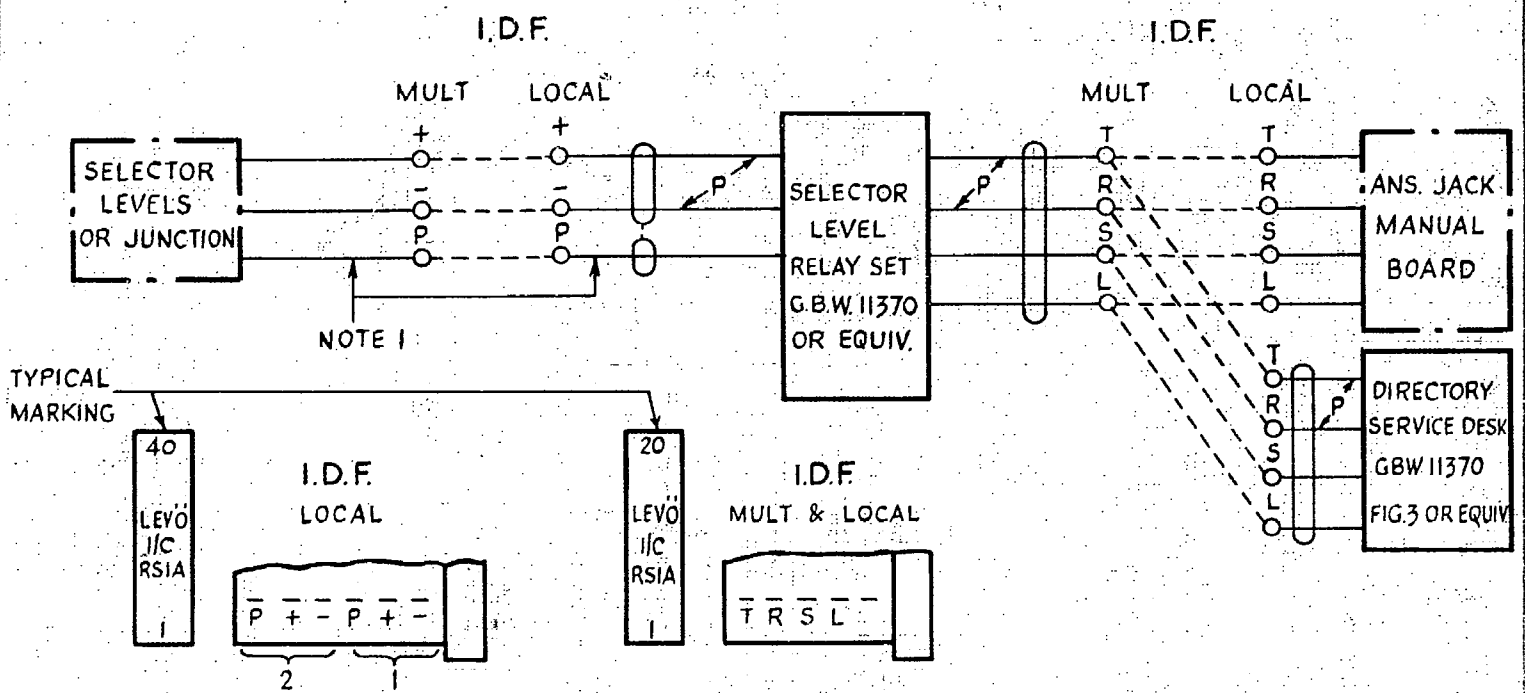
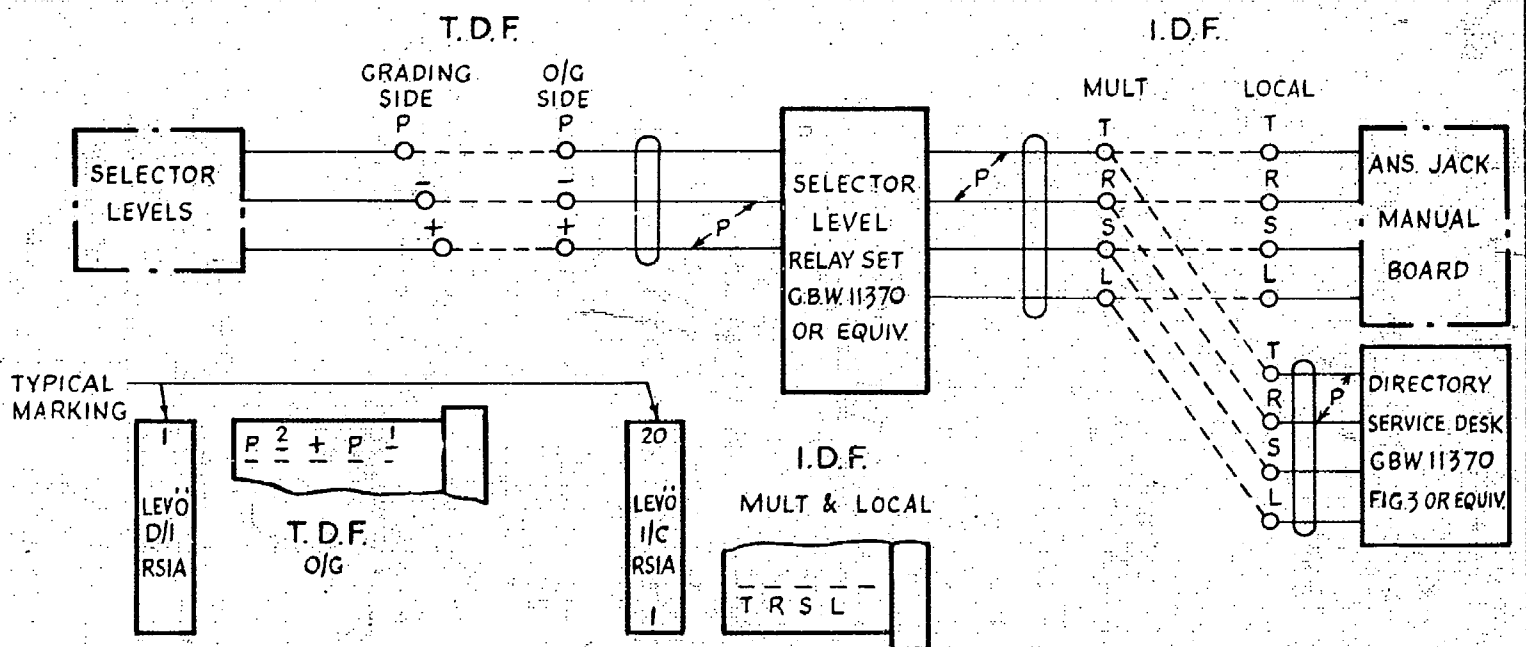


**FIG.1** CIRCUIT INCOMING VIA I.D.F.



NOTE :-

1. 'P' LEAD IS NOT CABLED WHEN CIRCUIT TERMINATES A JUNCTION



**FIG.2** CIRCUIT INCOMING VIA T.D.F.

SUPERSEDED BY GBX 12490				SELECTOR LEVEL RELAY SET DIRECTORY SERVICE DESK AND WE. TYPE TOLL BOARD 2000 TYPE			
DIRECTORY SERVICE DESK ADDED REDRAWN.(50646)				2	11-12-62	DBH	
				1.			
AMENDMENT PARTICULARS				ISSUE	DATE	APP <sup>o</sup>	E
				<b>GBX 11370</b>			
N.Z.P.O.							