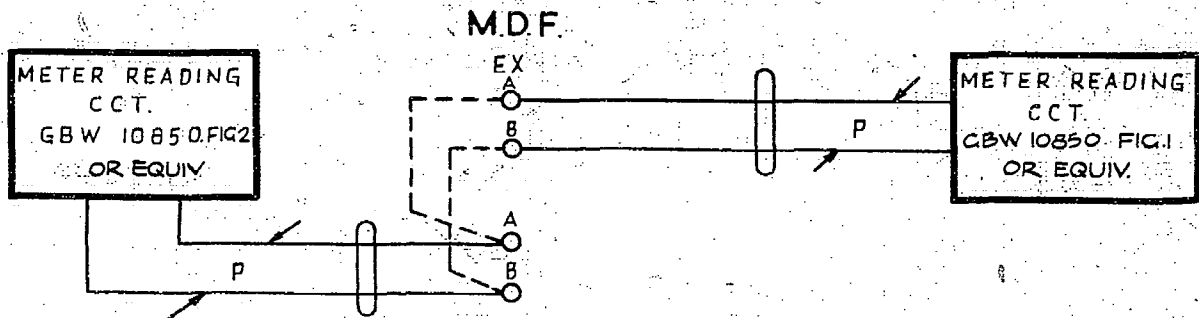
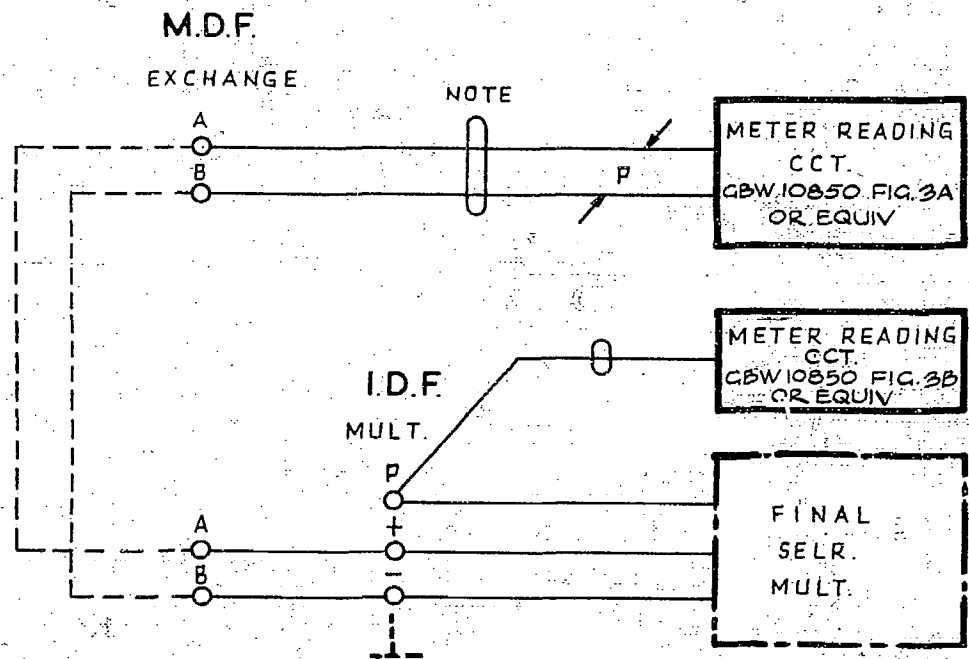


FIGS 1 & 2



FIGS 3A & 3B



NOTES:-

1. WHEN SPEC'D THESE LEADS MAY BE CABLED DIRECT TO I.D.F. MULT & NOT VIA M.D.F.

OBSOLETE

METER READING
CIRCUIT

MADE OBSOLETE	(56579)	3	11-4-62	<i>CSK</i>
SUFFIX 1'S ADDED	(34349)	2	7-10-60	<i>CSK</i>
	(31667)	1	5-5-54	<i>CSK</i>

AMENDMENT PARTICULARS

ISSUE DATE APP'D

E

N.Z. P.O.

DRAWN
G.H.

CHECKED

WIRING

ENGINEER
CSK

GBX 10850
10851

SHEET 1-2

FIG. 3A

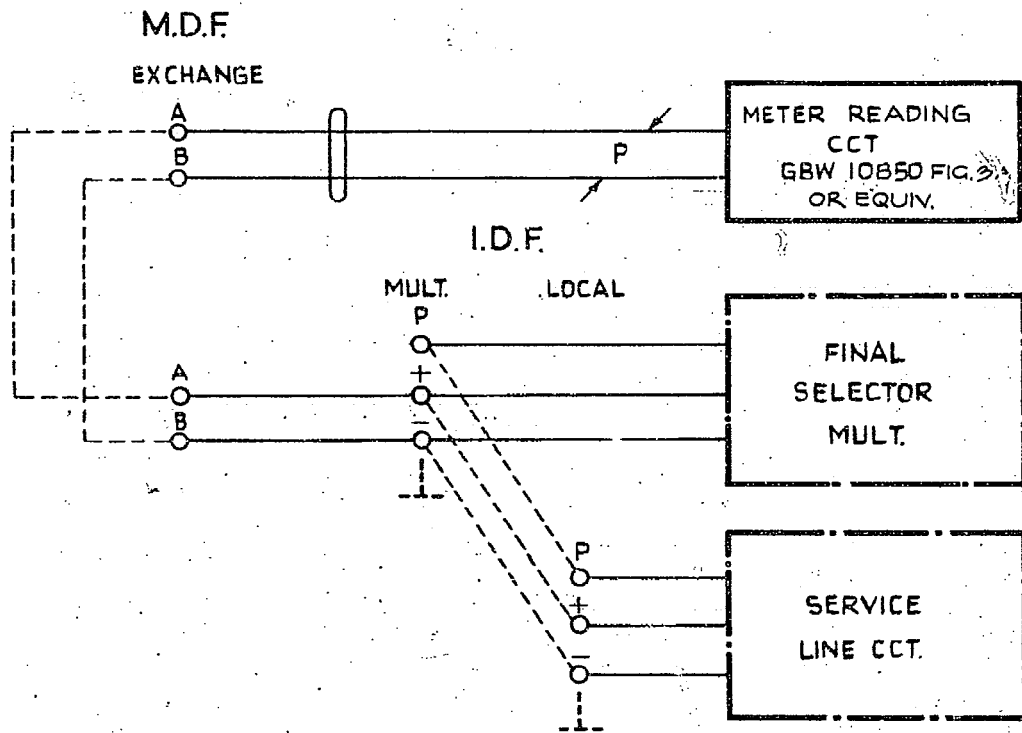
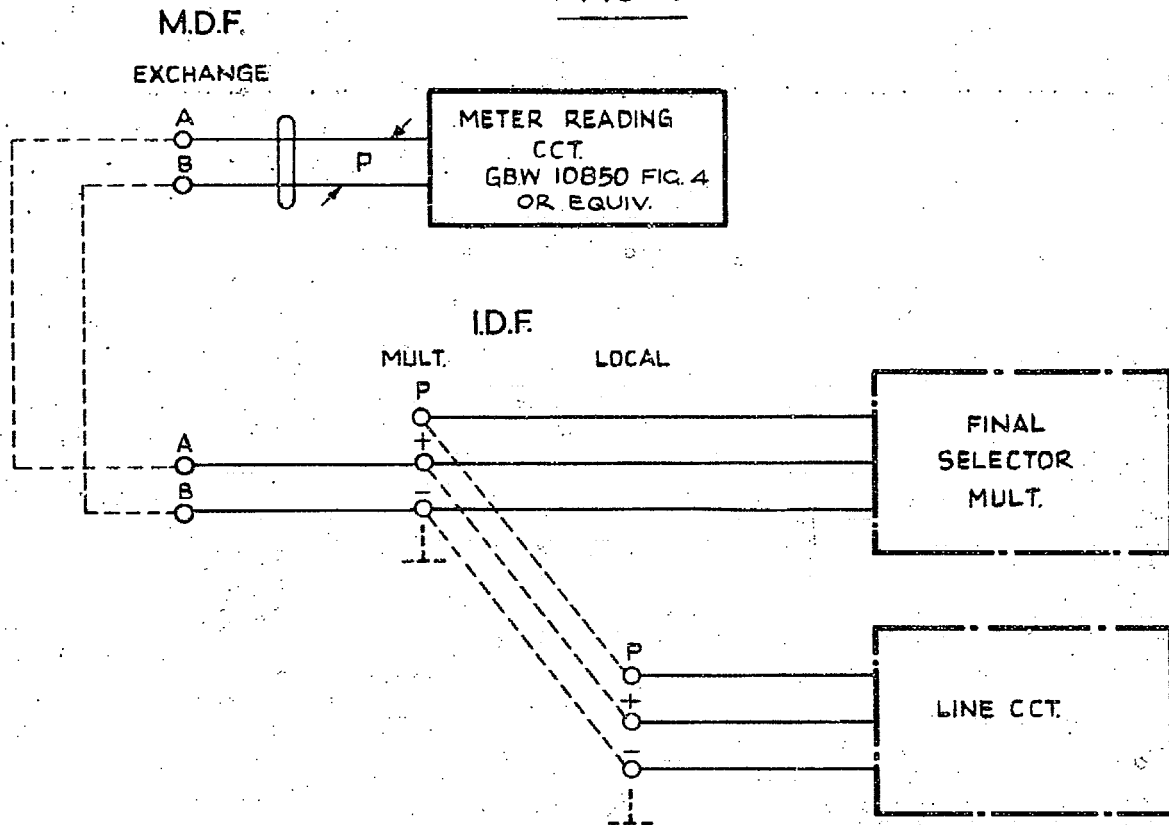


FIG 4



OBSOLETE

				METER READING CIRCUIT		
AMENDMENT PARTICULARS				ISSUE	DATE	APPD
MADE OBSOLETE	(56570)	3	11.4.62			
SUFFIXED 1 N° ADDED	(34349)	2	7.10.60			
	(31667)	1	5.5.54			
N.Z. P.O.				DRAWN	CHECKED	WIRING
				G.H.		ENGINERS
						11/45
				GBX 10850		
				10851		
				SHEET 2-2		