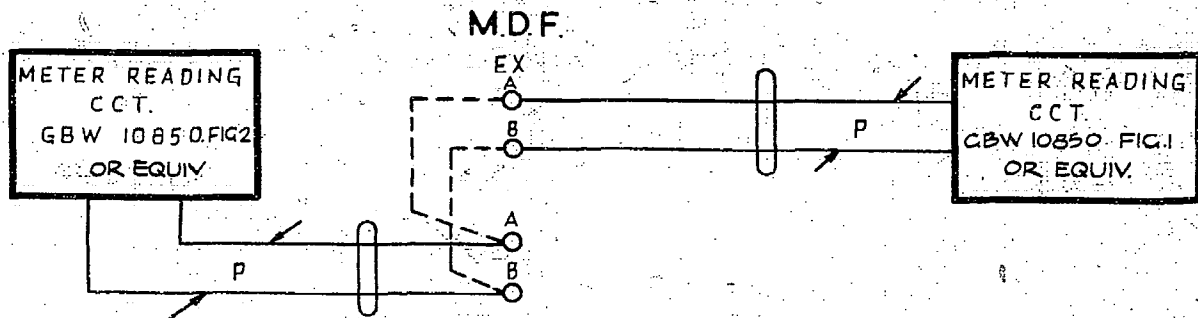
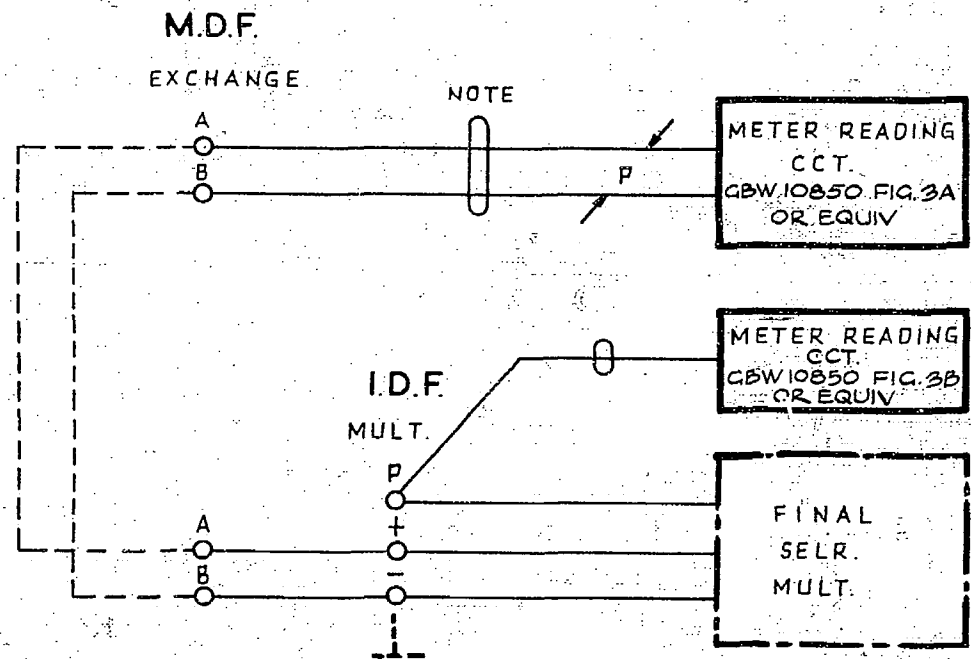


FIGS 1 & 2



FIGS 3A & 3B



NOTES:-

- 1. WHEN SPEC'D THESE LEADS MAY BE CABLED DIRECT TO I.D.F. MULT & NOT VIA M.D.F.

OBSOLETE

METER READING
CIRCUIT

MADE OBSOLETE	(56579)	3	11-4-62	<i>CSK</i>
SUFFIX 1 NS ADDED	(34349)	2	7-10-60	<i>CSK</i>
	(31667)	1	5-5-54	<i>CSK</i>

AMENDMENT PARTICULARS

ISSUE DATE APP'D

E

N.Z. P.O.

DRAWN
G.H.

CHECKED

WIRING

ENGINEER

GBX 10850
10851

SHEET 1-2

FIG. 3A

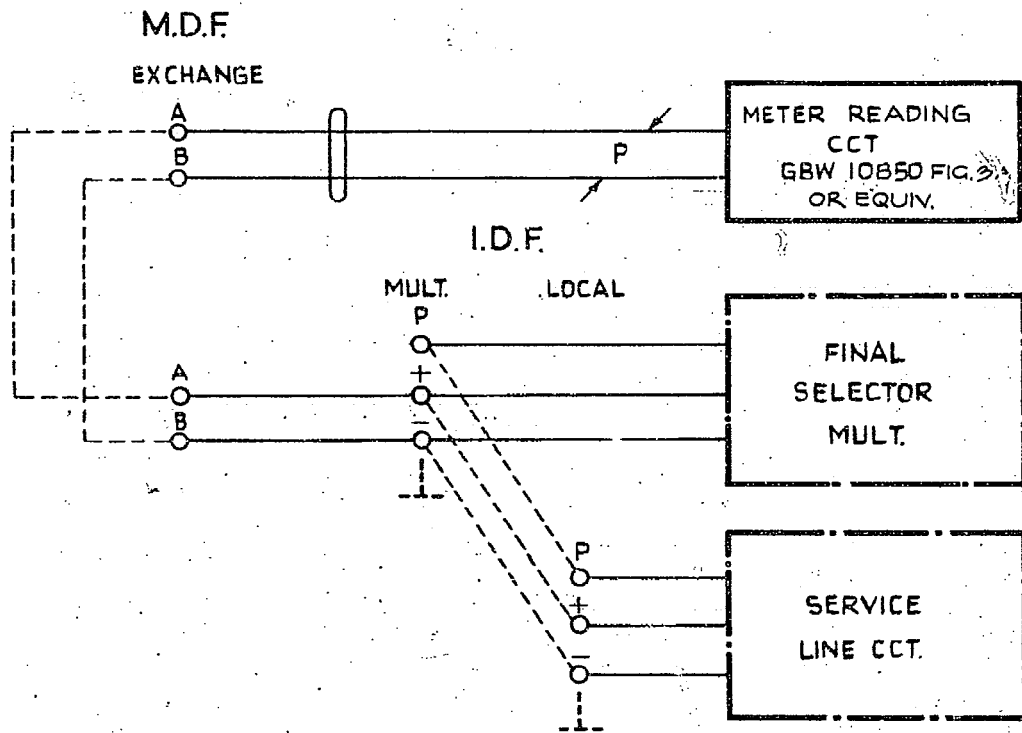
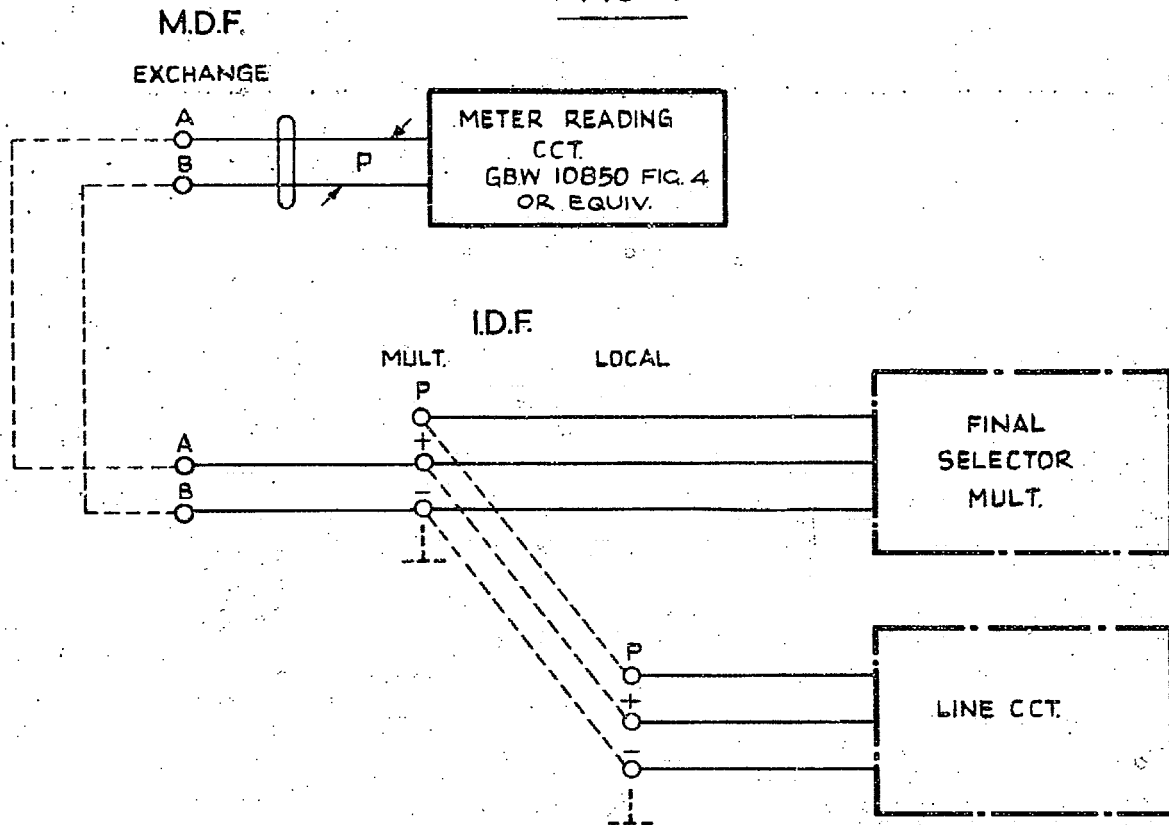


FIG 4



OBSOLETE

				METER READING CIRCUIT		
AMENDMENT PARTICULARS	ISSUE	DATE	APPD			
MADE OBSOLETE	(56570)	3	11.4.62			
SUFFIXED 1 N° ADDED	(34349)	2	7.10.60			
	(31667)	1	5.5.54			
N.Z. P.O.	DRAWN G.H.	CHECKED	WIRING	ENGINERS	GBX 10850 10851	
					SHEET 2-2	