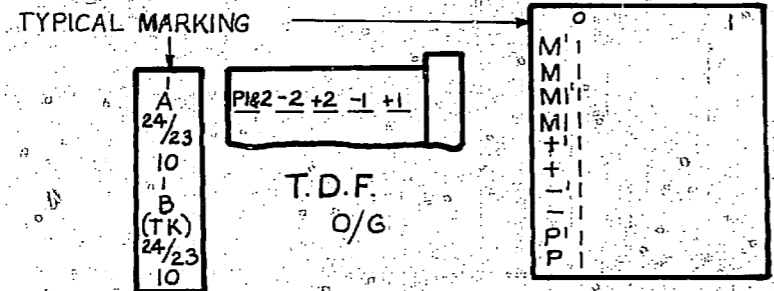
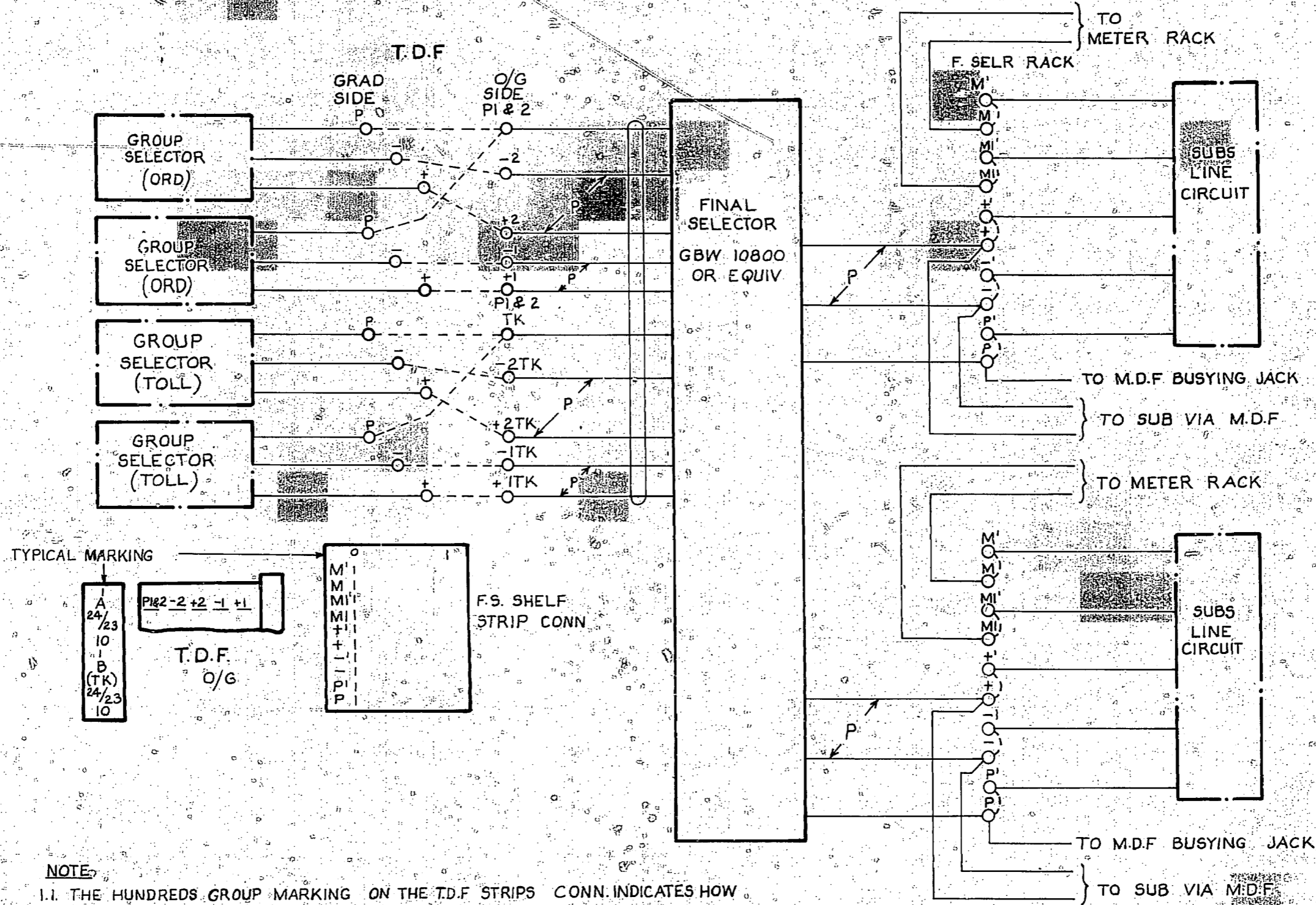


FIG. 1. OUTLETS CONNECTED VIA FINAL SELECTOR RACK STRIP CONN.



NOTE:
 1.1. THE HUNDREDS GROUP MARKING ON THE T.D.F. STRIPS CONN. INDICATES HOW THE GROUPS ASSOCIATE WITH THE +2, -2 & +1, -1 TERMINALS
 eg 24/23 INDICATES THAT THE OUTLETS FOR GROUP 24 ARE CONNECTED TO THE UPPER BANKS OR +2, -2 TERMINALS

				200 LINE FINAL SELECTOR WITH TOLL FACILITIES			
				2-10 P.B.X			
				2000 TYPE			
RETRACED	(183004)	3A	21-9-79	R.E.D.			
WAS SHEET 1-2	(68200)	3	16-11-56	C.W.H.			
10802 ADDED TO DIAGRAM NUMBER	(31667)	2	5-5-54	C.W.H.			
		1	7-6-50				
AMENDMENT PARTICULARS				ISSUE	DATE	APP'D	E
N.Z.P.O		DRAWN	CHECKED	WIRING	ENGR'S	GBX 10800 10802 10801 SHEET 1-4	

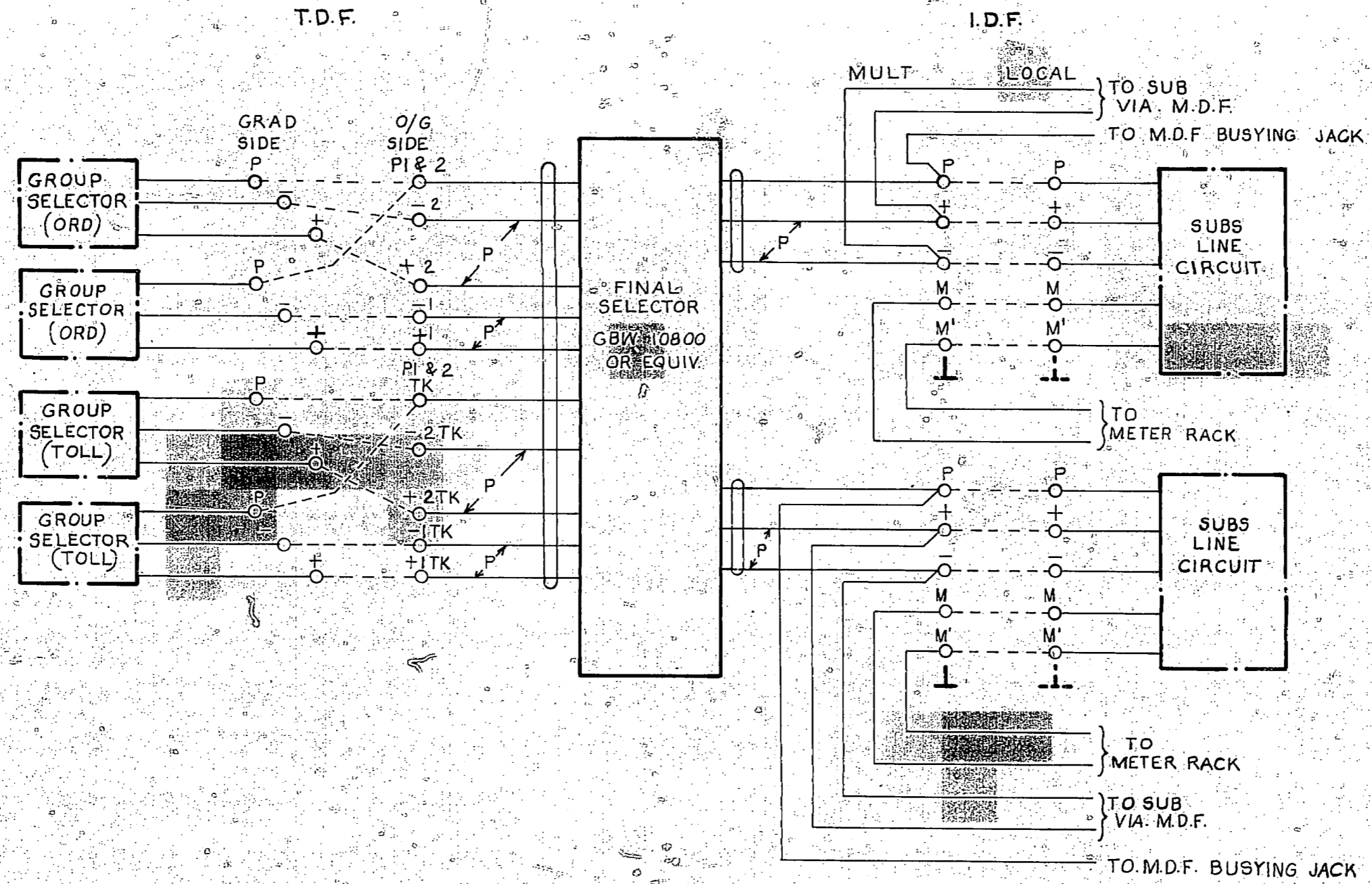
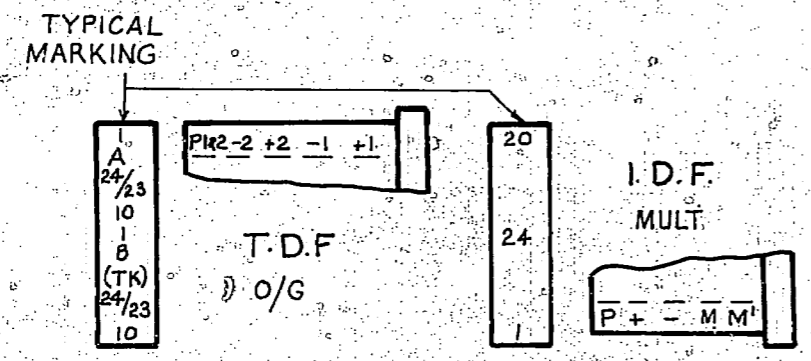


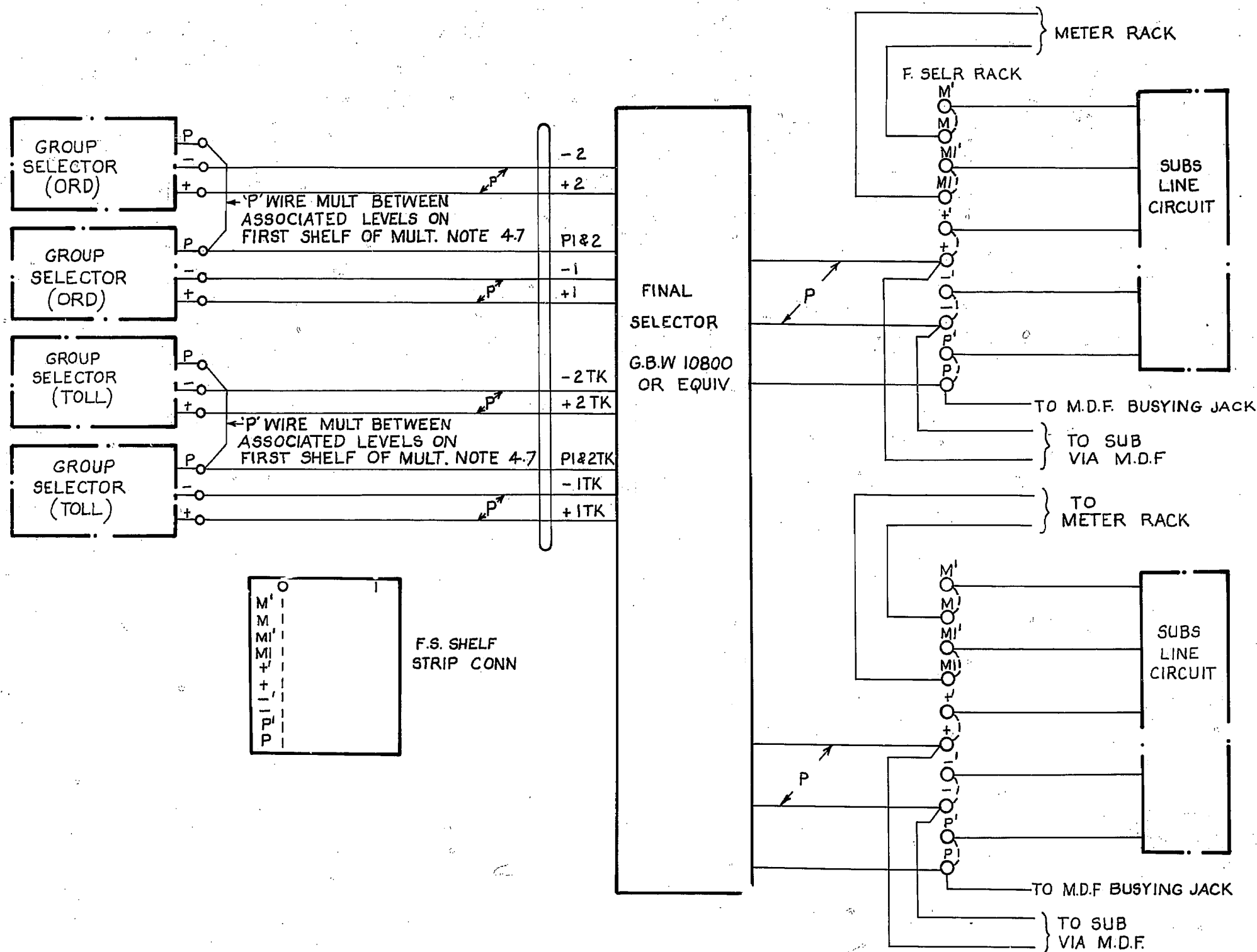
FIG. 2. OUTLETS CONNECTED VIA CENTRALISED I.D.F.



				200 LINE FINAL SELECTOR WITH TOLL FACILITIES			
				2-10 P.B.X.			
				2000 TYPE			
RETRACED		(183004)	3A	21-9-79	REP.		
WAS SHEET 2-2		(68200)	3	16-11-56	W.P.		
10802 ADDED TO DIAGRAM NUMBER (31667)			2	5-5-54	W.P.		
			1	7-6-50	W.P.		
AMENDMENT PARTICULARS				ISSUE	DATE	APP'D	E
N.Z.P.O.		DRAWN	CHECKED	WIRING	ENGIN RS	GBX 10800 10802 10801	
				SHEET 2-4			

FIG 3 OUTLETS CONNECTED VIA FINAL SELECTOR RACK STRIP CONN

CABLING OF OUTLETS BETWEEN PENULTIMATE GROUP SELECTOR BANK MULT TERM STRIPS AND FINAL SELECTOR WITHOUT T.D.F.



FOR RELEVANT NOTES SEE SHEET 4-4

					200 LINE FINAL SELECTOR WITH TOLL FACILITIES 2-10 PBX. 2000 TYPE		
RETRACED		(183004)	3A	21-9-79	RED		
		(68200)	3	16-11-56	ART		
AMENDMENT PARTICULARS			ISSUE	DATE	APPD	E	
					GBX 10800 10802 10801		
N.Z.P.O.			DRAWN	CHECKED	WIRING	ENGIN ^{RS}	SHEET 3-4

- 4.1 THE HUNDREDS NUMBERING OF THE PENULTIMATE SELECTOR LEVELS INDICATES HOW THE GROUPS ASSOCIATE WITH THE +2, -2 & +1, -1 TERMINALS, eg LEVELS 24/23 INDICATES THAT THE OUTLETS FOR GROUP 24 ARE CONNECTED TO THE UPPER BANKS OR +2, -2 TERMINALS.
- 4.2 EXCEPT WHEN OTHERWISE REQUIRED OR AS LIMITED BY THE SIZE OF CABLE PROVIDED ALL OUTLETS SHALL BE COMPLETELY WIRED BETWEEN THE GROUP SELECTOR BANK MULTIPLE TERM. STRIPS AND THE FINAL SELECTOR SHELF JACKS.
- 4.3 WHERE GROUP SELECTOR OUTLETS ARE NOT CABLED THE 'P' TERMINALS SHALL BE "COMMONED" ON THE BANK MULT. TERM. STRIPS AND CONNECTED TO EARTH VIA THE SHELF MISC. TERM. STRIP.
- 4.4 STRAPPING ON F.S. SHELF JACKS SHALL BE EFFECTED IN ACCORDANCE WITH THE NOTES ON THE RELEVANT GBU DIAGRAM.
- 4.5 FOR DIRECT CABLING TO F.S. GROUPS REFER TO GBW 14850
- 4.6 OUTLETS FROM ORDINARY AND TOLL PENULTIMATE SELECTORS (20 OUTLETS PER LEVEL) SHALL BE IN STRAIGHT MULTIPLE.
- 4.7 "P" WIRE MULTIPLE SHALL ALSO BE STRAPPED SIMILARLY ON LAST SHELF OF MULTIPLE WHEN OUTLETS ARE CONNECTED TO "30 BANK" FINAL SELECTOR GROUPS IN ACCORDANCE WITH NOTE 4-5

				200 LINE FINAL SELECTOR WITH TOLL FACILITIES 2-10 P.B.X. 2000 TYPE			
RETRACED		(183004)	3A	21-9-79	R.E.D.		
		(68200)	3	16-11-56	CLM		
AMENDMENT PARTICULARS				ISSUE	DATE	APP'D	E
N.Z.P.O.			DRAWN	CHECKED	WIRING	ENGIN ^{RS}	GBX 10800 10802 10801 SHEET 4-4