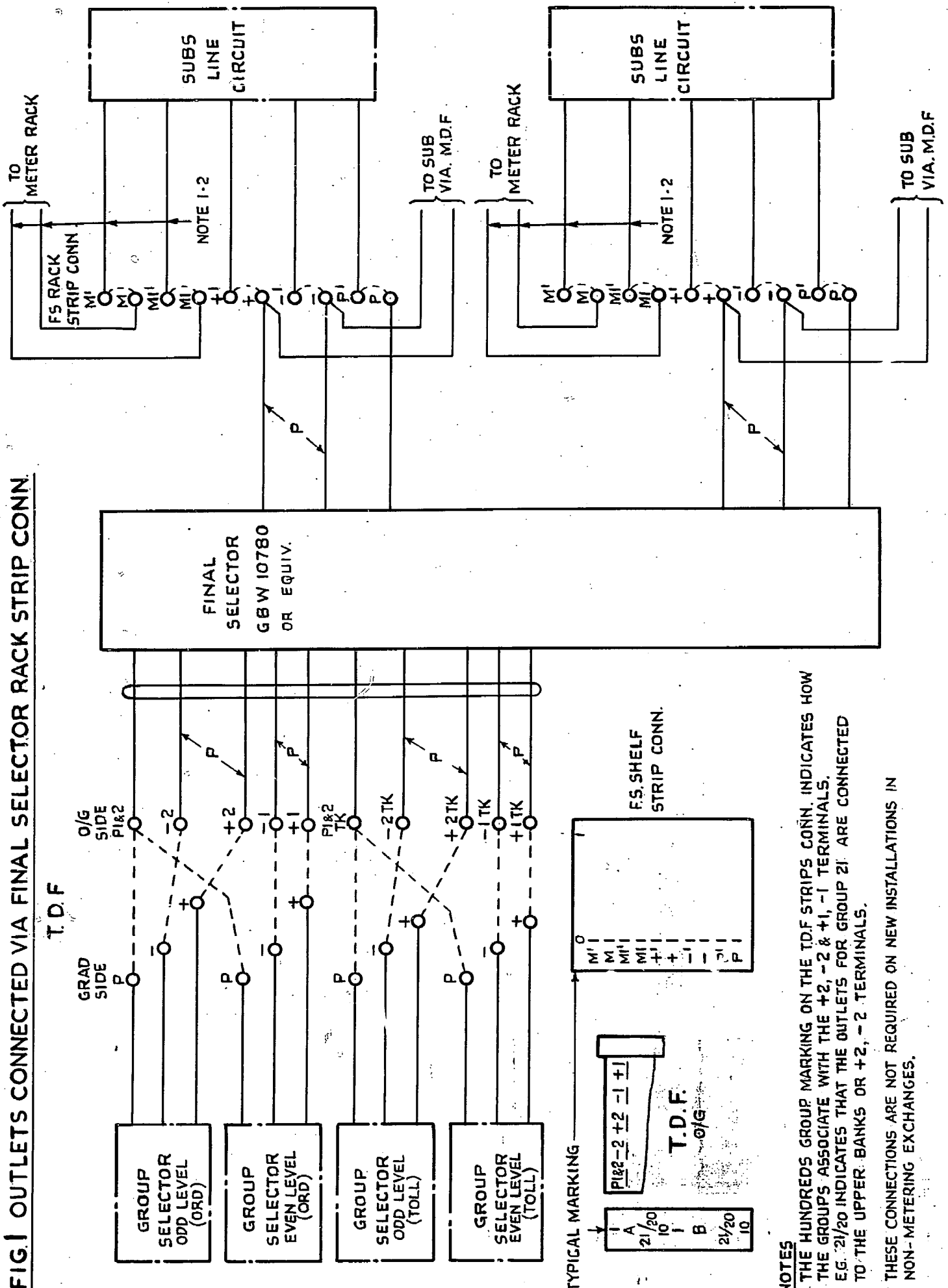


FIG. 1 OUTLETS CONNECTED VIA FINAL SELECTOR RACK STRIP CONN.



NOTES
 1. THE HUNDREDS GROUP MARKING ON THE T.D.F. STRIPS CONN. INDICATES HOW THE GROUPS ASSOCIATE WITH THE +2, -2 & +1, -1 TERMINALS.
 EG. 21/20 INDICATES THAT THE OUTLETS FOR GROUP 21 ARE CONNECTED TO THE UPPER BANKS OR +2, -2 TERMINALS.
 2. THESE CONNECTIONS ARE NOT REQUIRED ON NEW INSTALLATIONS IN NON-METERING EXCHANGES.

AMENDMENT PARTICULARS		ISSUE	DATE	APPD
1				
2	10782 ADDED TO DIAGRAM NUMBER			
3	WAS SHEET 1-2			
4	WAS SHEET 1-4 NOTE 1.2 ADDED (86065)		6-10-69	R W
N.Z.P.O.	DRAWN	CHECKED	WIRING	ENGINEERS

200 LINE FINAL SELECTOR WITH TOLL FACILITIES REGULAR. 2000 TYPE

GBX 10780 10782 10781

SHEET 1-5

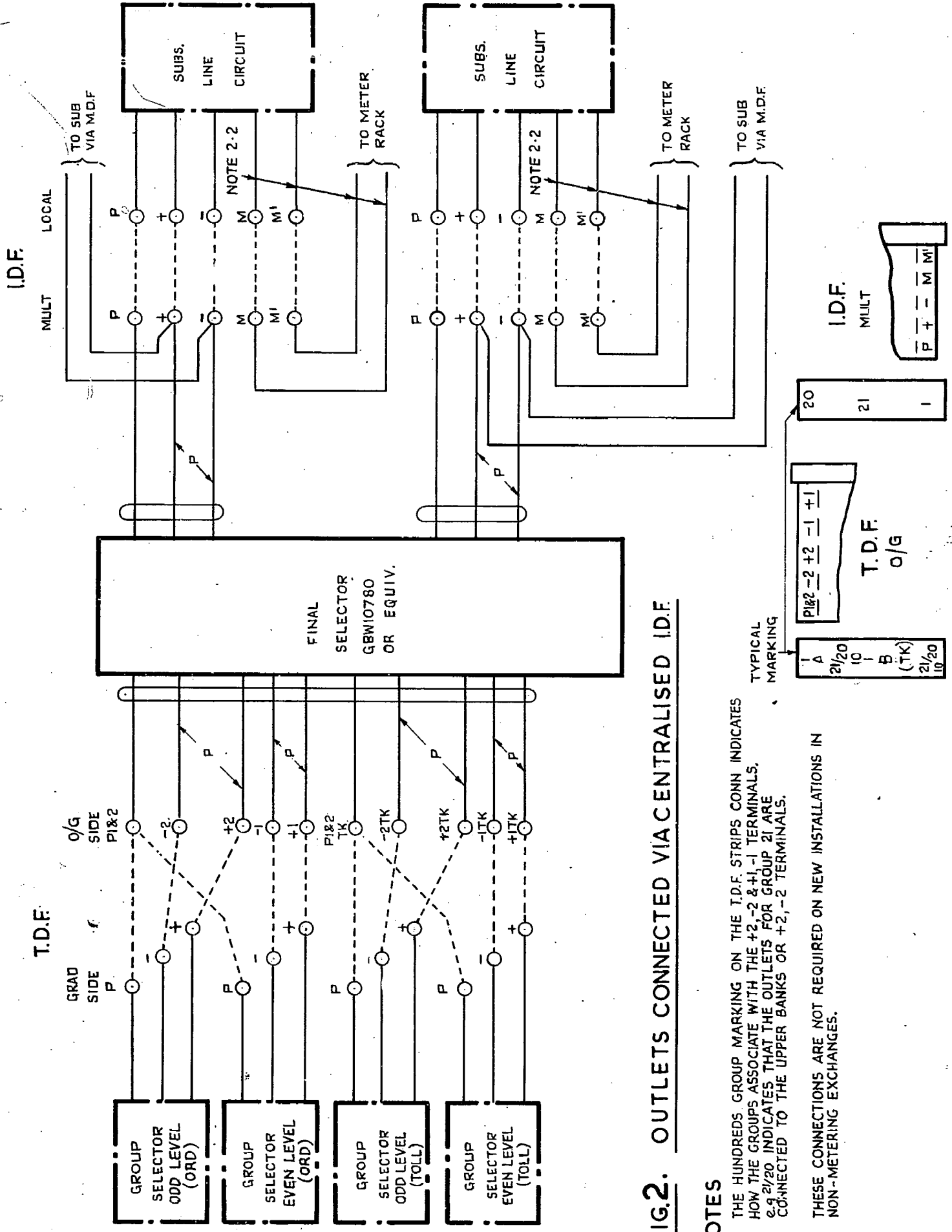


FIG.2. OUTLETS CONNECTED VIA CENTRALISED I.D.F.

NOTES

2-1 THE HUNDREDS GROUP MARKING ON THE I.D.F. STRIPS CONN INDICATES HOW THE GROUPS ASSOCIATE WITH THE +2, -2 & +1, -1 TERMINALS, & 9 2/20 INDICATES THAT THE OUTLETS FOR GROUP 21 ARE CONNECTED TO THE UPPER BANKS OR +2, -2 TERMINALS.

2-2 THESE CONNECTIONS ARE NOT REQUIRED ON NEW INSTALLATIONS IN NON-METERING EXCHANGES.

AMENDMENT PARTICULARS	ISSUE	DATE	APPD
1			
2			
3			
4		6-10-69	RW
WAS SHEET 2-4 NOTES ADDED (86065)			
WAS SHEET 2-2			
10782 ADDED TO DIAGRAM NUMBER			
N.Z.P.O.	DRAWN	CHECKED	WIRED
			ENGINERS
			9/1/60

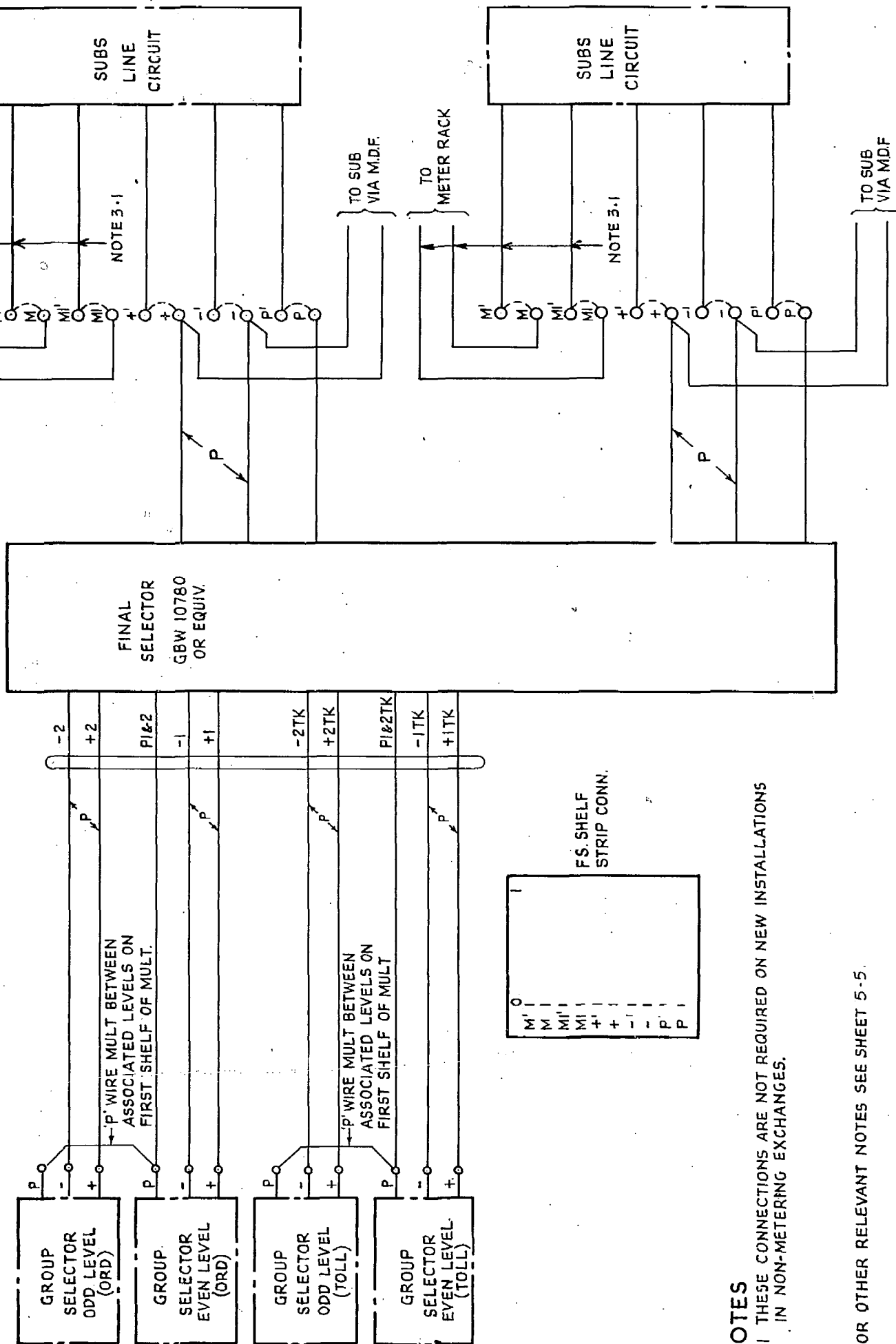
200 LINE FINAL SELECTOR WITH TOLL FACILITIES REGULAR. (2000 TYPE)

GBX 10780 10782 10781

SHEET 2-5

FIG 3 OUTLETS CONNECTED VIA FINAL SELECTOR RACK STRIP CONN

CABLING OF OUTLETS BETWEEN PEN-ULTIMATE GROUP SELECTOR BANK MULT TERM STRIPS AND FINAL SELECTORS WITHOUT T.D.F.

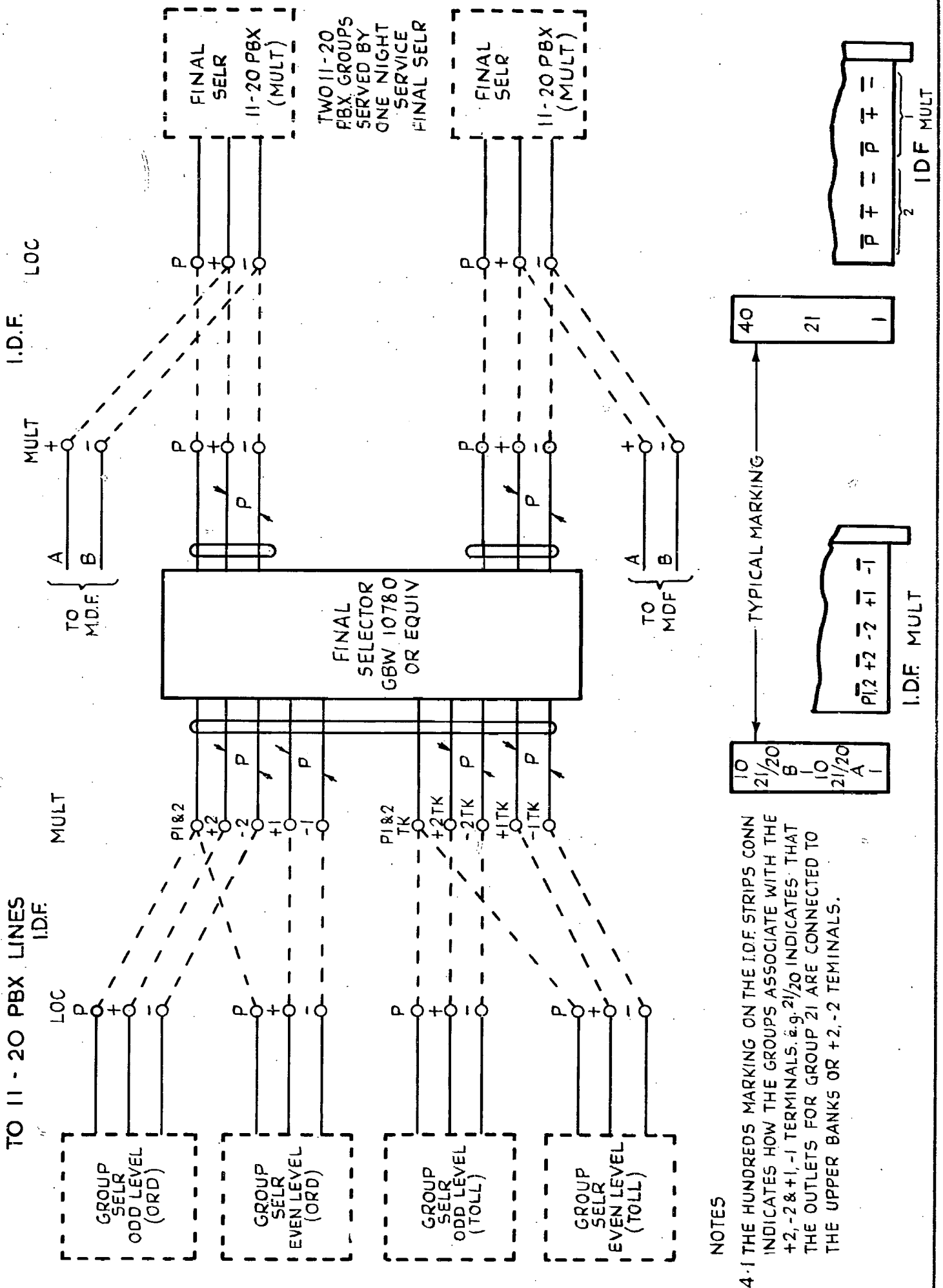


NOTES
 3.1 THESE CONNECTIONS ARE NOT REQUIRED ON NEW INSTALLATIONS IN NON-METERING EXCHANGES.

FOR OTHER RELEVANT NOTES SEE SHEET 5-5.

					200 LINE FINAL SELECTOR WITH TOLL FACILITIES REGULAR 2000 TYPE	
WAS SHEET 3-4. NOTE 3.1 ADDED (86065)			4	6-10-69	Rw	
AMENDMENT PARTICULARS			ISSUE	DATE	APP'D	E.
N.Z.P.O.	DRAWN.	CHECKED.	WIRING.	ENGR'S	GBX 10780 10782 10781	
						SHEET 3-5

FIG. 4. OUTLETS CONNECTED FOR NIGHT SERVICE TO 11-20 PBX LINES



				200 LINE FINAL SELECTOR WITH TOLL FACILITIES	
				REGULAR	
				2000 TYPE	
(86065)		4	6-10-69	RJ	
AMENDMENT PARTICULARS		ISSUE	DATE	APPD	E
N.Z.P.O.		DRAWN	CHECKED	WIRING CIRCUIT	
GBX 10780 10782 10781					
					SHEET 4-5

NOTES

- 5.1. THE HUNDREDS NUMBERING OF THE PENULTIMATE SELECTOR LEVELS INDICATES HOW THE GROUPS ASSOCIATE WITH THE +2, -2 & +1, -1 TERMINALS, e.g. LEVELS 21/20 INDICATES THAT THE OUTLETS FOR GROUP 21 ARE CONNECTED TO THE UPPER BANKS OR +2, -2 TERMINALS.
- 5.2. EXCEPT WHEN OTHERWISE REQUIRED OR AS LIMITED BY THE SIZE OF CABLE PROVIDED ALL OUTLETS SHALL BE COMPLETELY WIRED BETWEEN THE GROUP SELECTOR BANK MULTIPLE TERM STRIPS AND THE FINAL SELECTOR SHELF JACKS.
- 5.3. WHERE GROUP SELECTOR OUTLETS ARE NOT CABLED THE "P" TERMINALS SHALL BE "COMMONED" ON THE BANK MULT. TERMINAL STRIPS AND CONNECTED TO EARTH VIA THE SHELF MISC. TERM. STRIP.
- 5.4. STRAPPING ON F.S. SHELF JACKS SHALL BE EFFECTED IN ACCORDANCE WITH THE NOTES ON THE RELEVANT GBU DIAGRAM
- 5.5. FOR DIRECT CABLING TO F.S. GROUPS REFER. TO GBW 14850
- 5.6. OUTLETS FROM ORDINARY AND TOLL PENULTIMATE SELECTORS (20 OUTLETS PER LEVEL) SHALL BE IN STRAIGHT MULTIPLE.

				200 LINE FINAL SELECTOR WITH TOLL FACILITIES REGULAR 2000 TYPE			
WAS SHEET 4-4		(86065)		4	6.10.69	<i>Rw</i>	
				3			
AMENDMENT PARTICULARS				ISSUE	DATE	APP'G	E
N.Z.P.O.		DRAWN	CHECKED	WIRING	ENGRS	GBX 10780 10782 10781	
						SHEET 5-5	