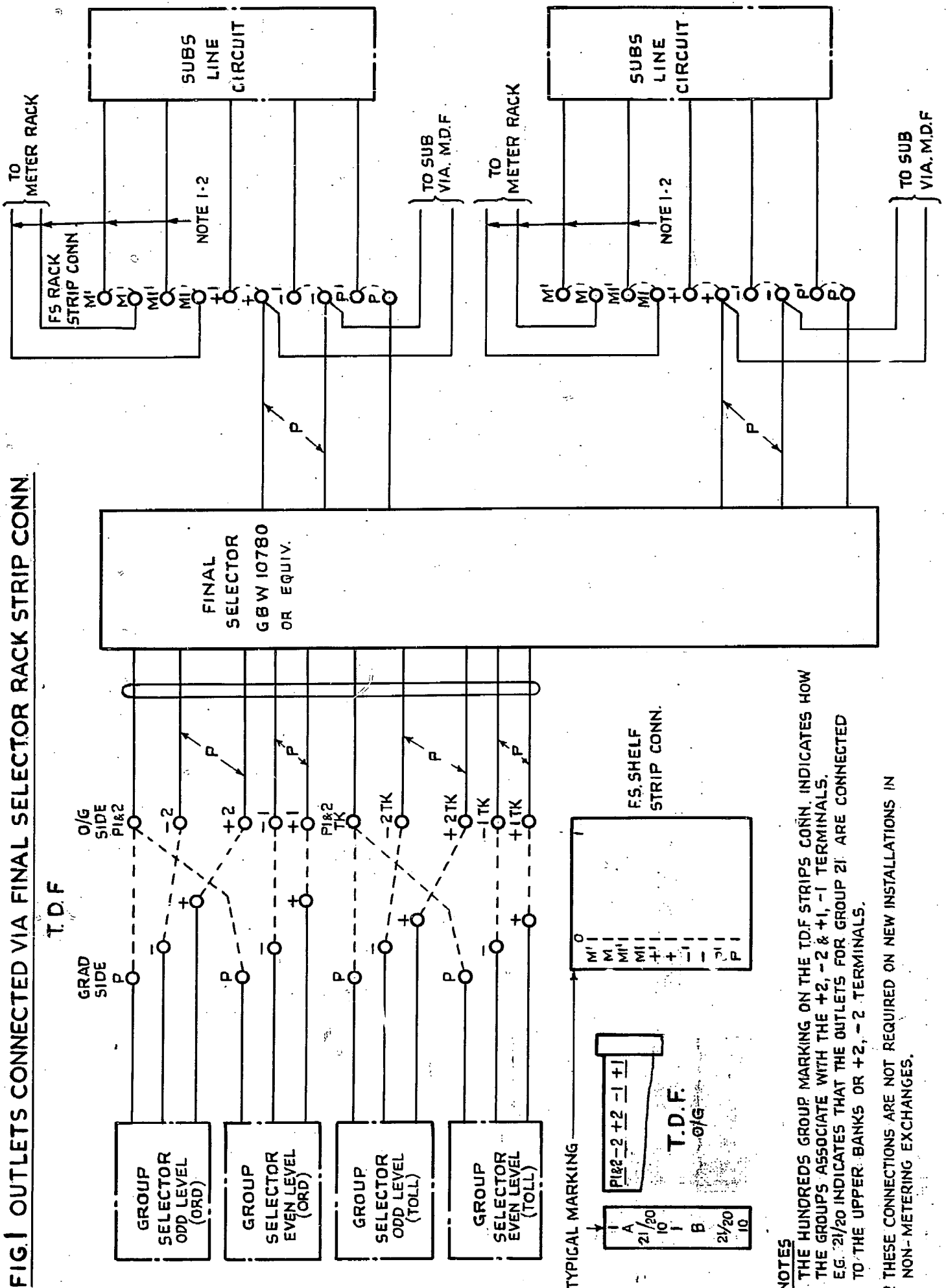


FIG. 1 OUTLETS CONNECTED VIA FINAL SELECTOR RACK STRIP CONN.



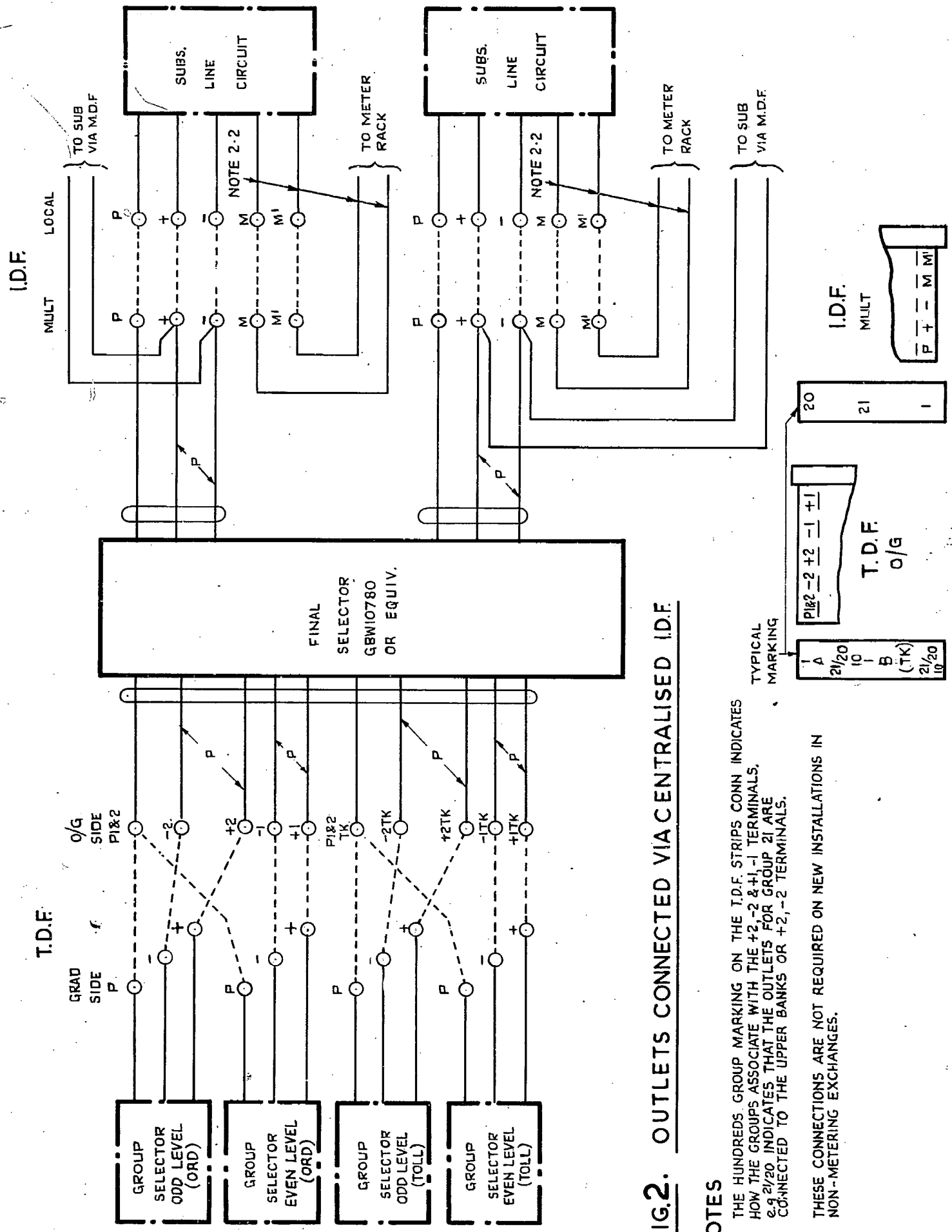
NOTES  
 1-1 THE HUNDREDS GROUP MARKING ON THE T.D.F. STRIPS CONN. INDICATES HOW THE GROUPS ASSOCIATE WITH THE +2, -2 & +1, -1 TERMINALS. EG. 21/20 INDICATES THAT THE OUTLETS FOR GROUP 21 ARE CONNECTED TO THE UPPER BANKS OR +2, -2 TERMINALS.  
 1-2 THESE CONNECTIONS ARE NOT REQUIRED ON NEW INSTALLATIONS IN NON-METERING EXCHANGES.

AMENDMENT PARTICULARS	ISSUE	DATE	APPD
1			
2			
3			
4		6-10-69	RW
WAS SHEET 1-4 NOTE 1.2 ADDED (86065)			
WAS SHEET 1-2			
10782 ADDED TO DIAGRAM NUMBER			
N.Z.P.O.	DRAWN	CHECKED	WIRING
			ENGINEERS

200 LINE FINAL SELECTOR WITH TOLL FACILITIES REGULAR. 2000 TYPE

GBX 10780 10782 10781

SHEET 1-5



**FIG.2. OUTLETS CONNECTED VIA CENTRALISED I.D.F.**

**NOTES**

2-1 THE HUNDREDS GROUP MARKING ON THE T.D.F. STRIPS CONN INDICATES HOW THE GROUPS ASSOCIATE WITH THE +2, -2 & +1, -1 TERMINALS, & 2/20 INDICATES THAT THE OUTLETS FOR GROUP 21 ARE CONNECTED TO THE UPPER BANKS OR +2, -2 TERMINALS.

2-2 THESE CONNECTIONS ARE NOT REQUIRED ON NEW INSTALLATIONS IN NON-METERING EXCHANGES.

AMENDMENT PARTICULARS	ISSUE	DATE	APPD
1			
2			
3			
4		6-10-69	Rio
WAS SHEET 2-4 NOTES ADDED (86065)			
WAS SHEET 2-2			
10782 ADDED TO DIAGRAM NUMBER			
N.Z.P.O.	DRAWN	CHECKED	WIRED
			ENGINERS
			9/1/60

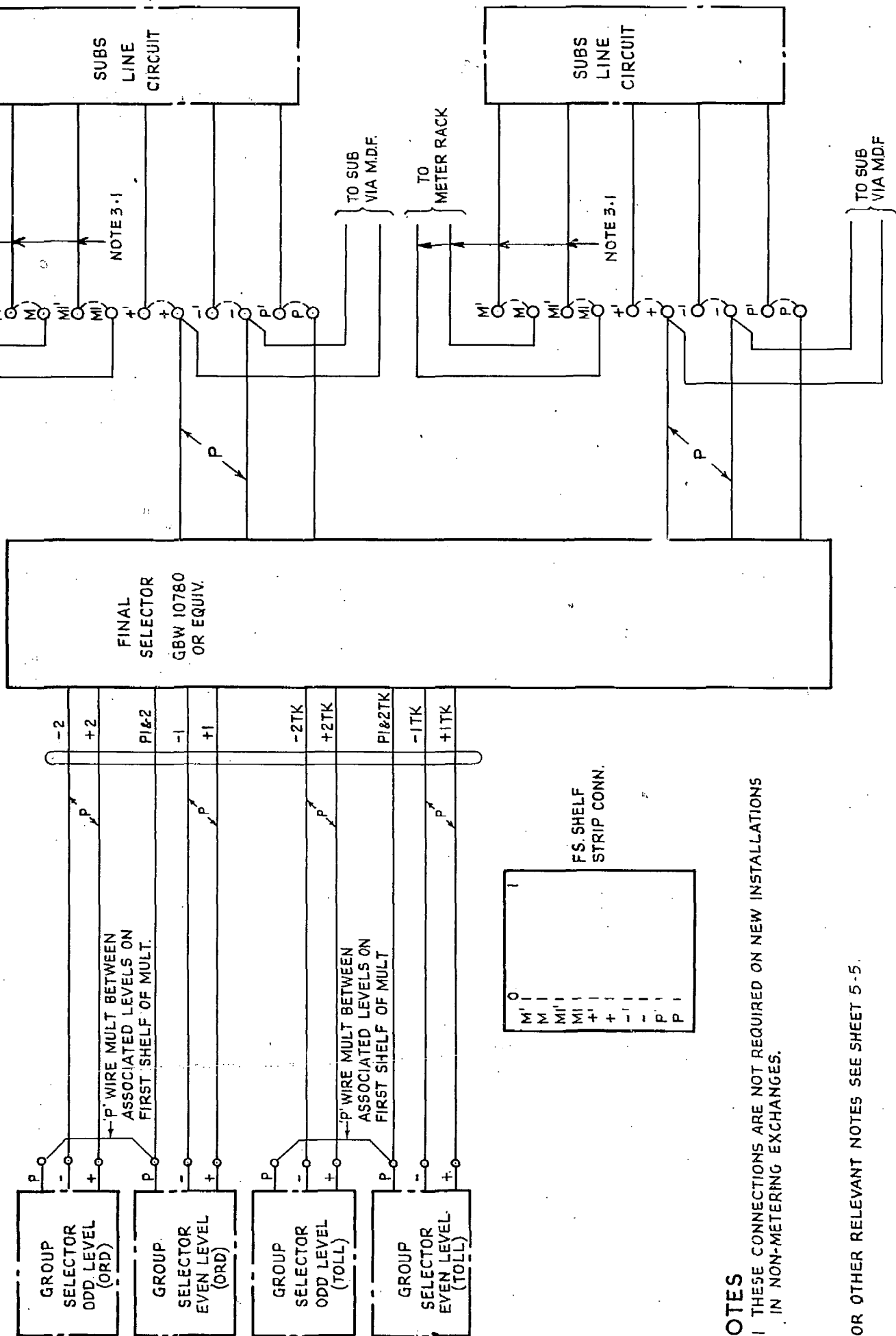
**200 LINE FINAL SELECTOR WITH TOLL FACILITIES REGULAR. (2000 TYPE)**

**GBX 10780 10782 10781**

SHEET 2-5

# FIG 3 OUTLETS CONNECTED VIA FINAL SELECTOR RACK STRIP CONN

CABLING OF OUTLETS BETWEEN PEN-ULTIMATE GROUP SELECTOR BANK MULT TERM STRIPS AND FINAL SELECTORS WITHOUT T.D.F.

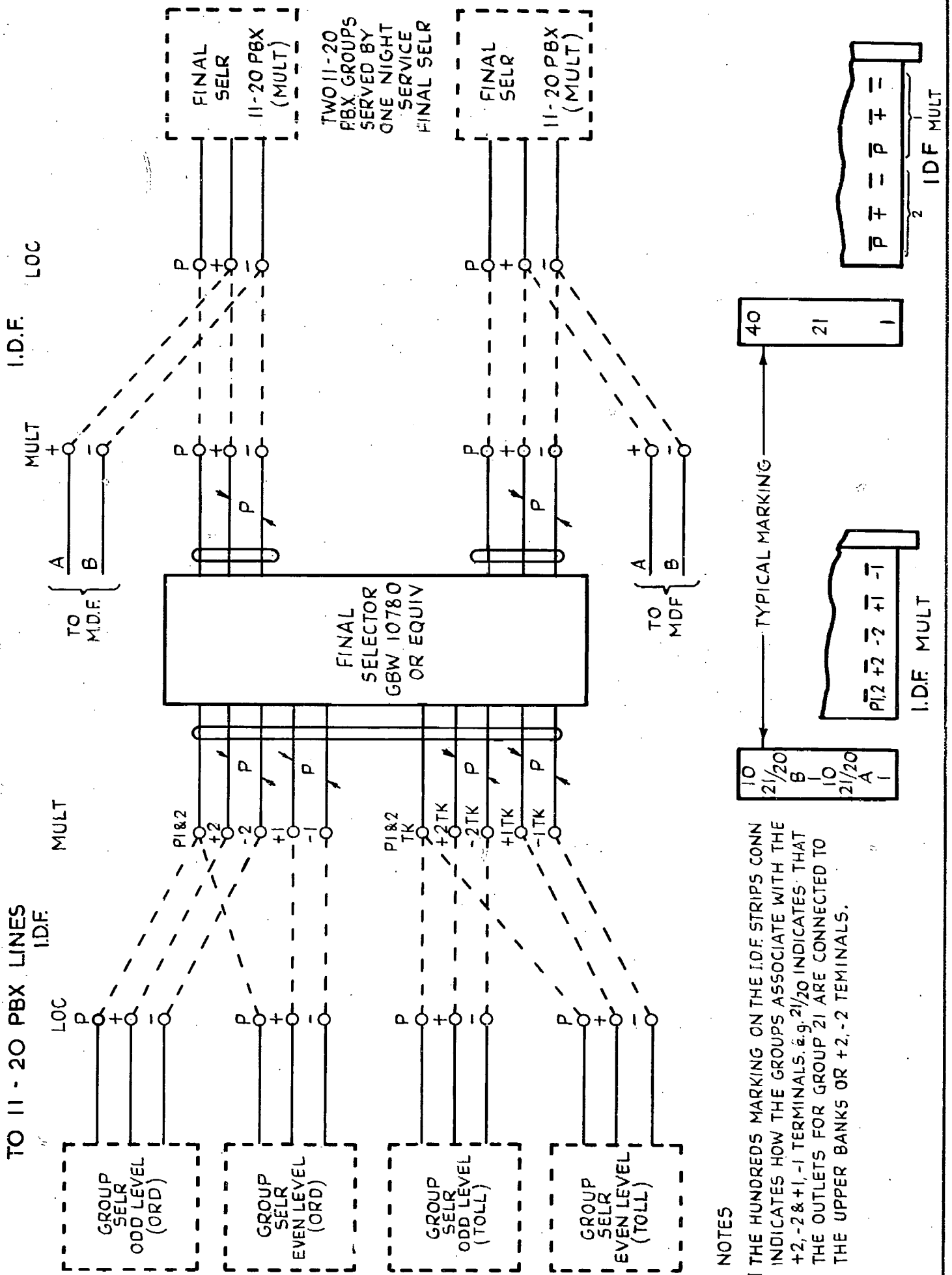


**NOTES**  
 3.1 THESE CONNECTIONS ARE NOT REQUIRED ON NEW INSTALLATIONS IN NON-METERING EXCHANGES.

FOR OTHER RELEVANT NOTES SEE SHEET 5-5.

					200 LINE FINAL SELECTOR WITH TOLL FACILITIES REGULAR 2000 TYPE	
WAS SHEET 3-4. NOTE 3.1 ADDED (86065)			4	6-10-69	Rw	
AMENDMENT PARTICULARS			3			
			ISSUE	DATE	APP'D	E.
N.Z.P.O.		DRAWN.	CHECKED.	WIRING.	ENGR'S	GBX 10780 10782 10781
						SHEET 3-5

**FIG. 4. OUTLETS CONNECTED FOR NIGHT SERVICE TO 11-20 PBX LINES**



**NOTES**

4-1 THE HUNDREDS MARKING ON THE I.D.F. STRIPS CONN INDICATES HOW THE GROUPS ASSOCIATE WITH THE +2, -2 & +1, -1 TERMINALS. e.g. 21/20 INDICATES THAT THE OUTLETS FOR GROUP 21 ARE CONNECTED TO THE UPPER BANKS OR +2, -2 TERMINALS.

					200 LINE FINAL SELECTOR WITH TOLL FACILITIES REGULAR 2000 TYPE	
AMENDMENT PARTICULARS			ISSUE	DATE	APPD	E
			(86065)	4	6-10-69	<i>RJ</i>
N.Z.P.O.		DRAWN	CHECKED	WIRING CIRCUIT		<b>GBX 10780 10782 10781</b>
						SHEET 4-5

