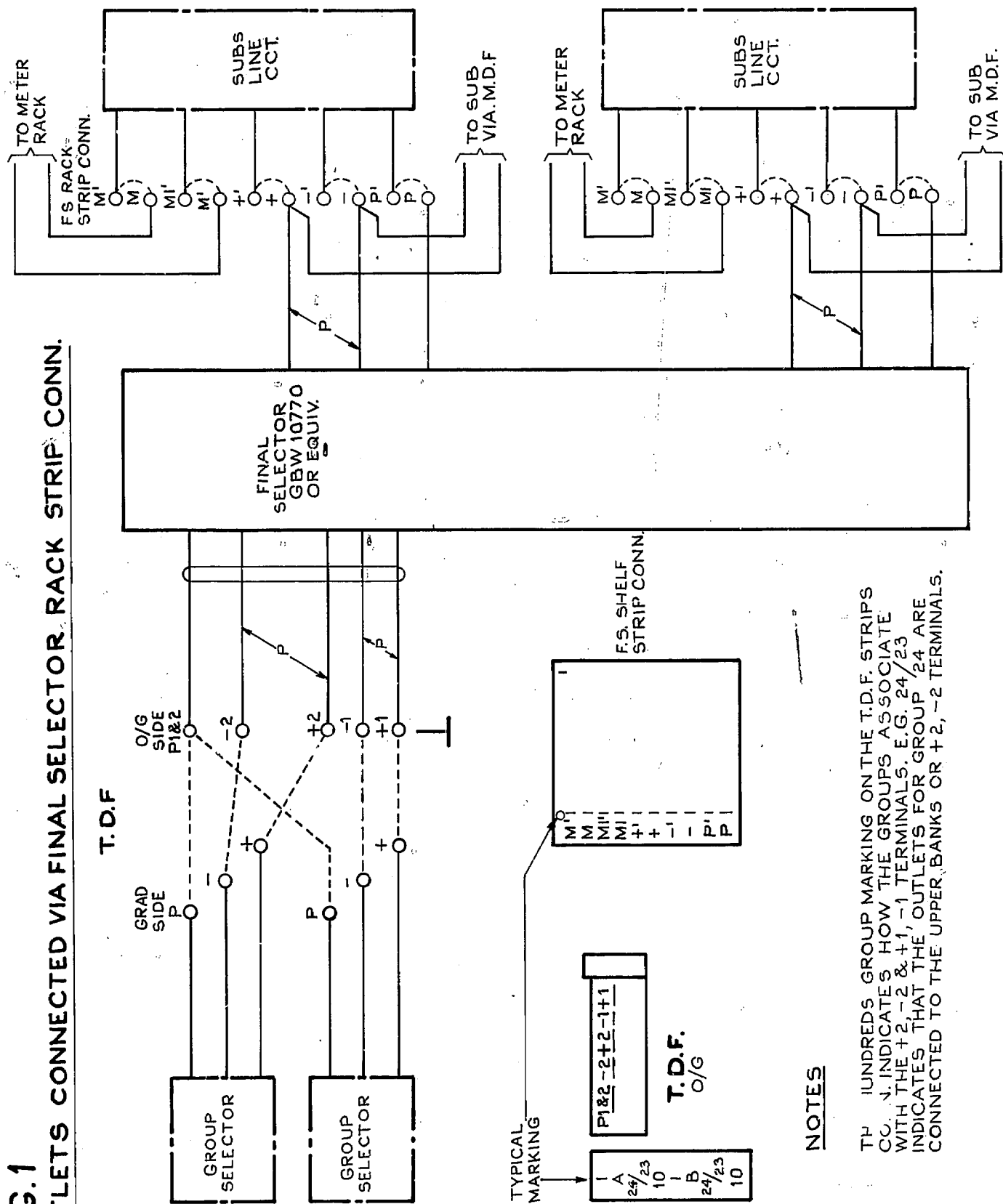


FIG.1
OUTLETS CONNECTED VIA FINAL SELECTOR RACK STRIP CONN.



NOTES

TH HUNDREDS GROUP MARKING ON THE T.D.F. STRIPS
CO. N. INDICATES HOW THE GROUPS ASSOCIATE
WITH THE +2, -2 & +1, -1 TERMINALS. E.G. 24/23
INDICATES THAT THE 'OUTLETS FOR GROUP' 24 ARE
CONNECTED TO THE UPPER BANKS OR +2, -2 TERMINALS.

PROOF

RETRACED FROM ISS.3 OF 6.11.56	(183022)	3A	16.11.79	
WAS SHEET 1.2	(68197)	3	6.11.56	C.W.H.
10772 ADDED TO DIAGRAM NUMBER	(31667)	2	5.5.54	
		1	7.6.50	

**200 LINE FINAL SELECTOR
ORDINARY
POSITIVE BATTERY METERING
2000 TYPE**

AMENDMENT PARTICULARS	ISS	DATE	APD	SIZE: A4	E
-----------------------	-----	------	-----	----------	---

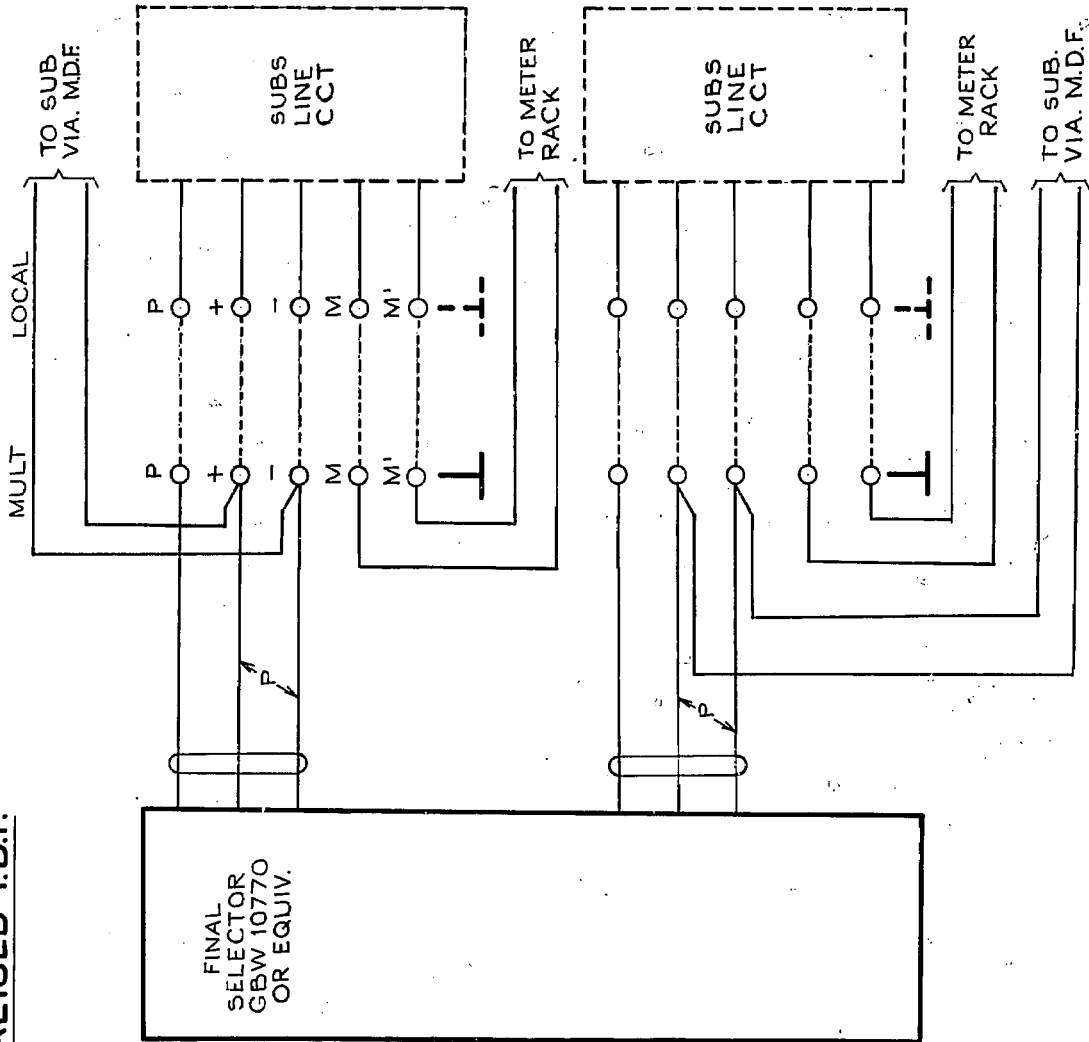
ONZ PO 5 **Centimetres** 10 DRAWN CHECKED WIRING ENGRS

GBX 10770 10772
10771

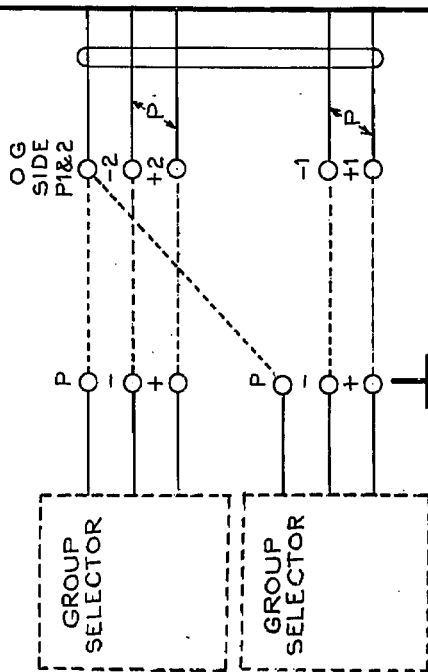
SHEET 1-4

FIG. 2
OUTLETS CONNECTED VIA CENTRALISED I.D.F.

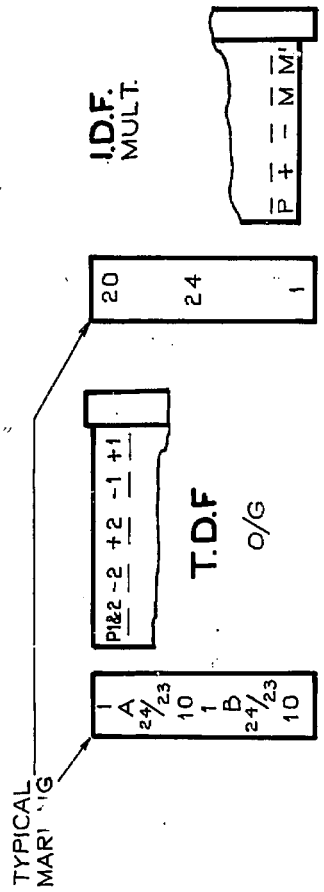
I.D.F.



T.D.F.



I.D.F.
MULT.

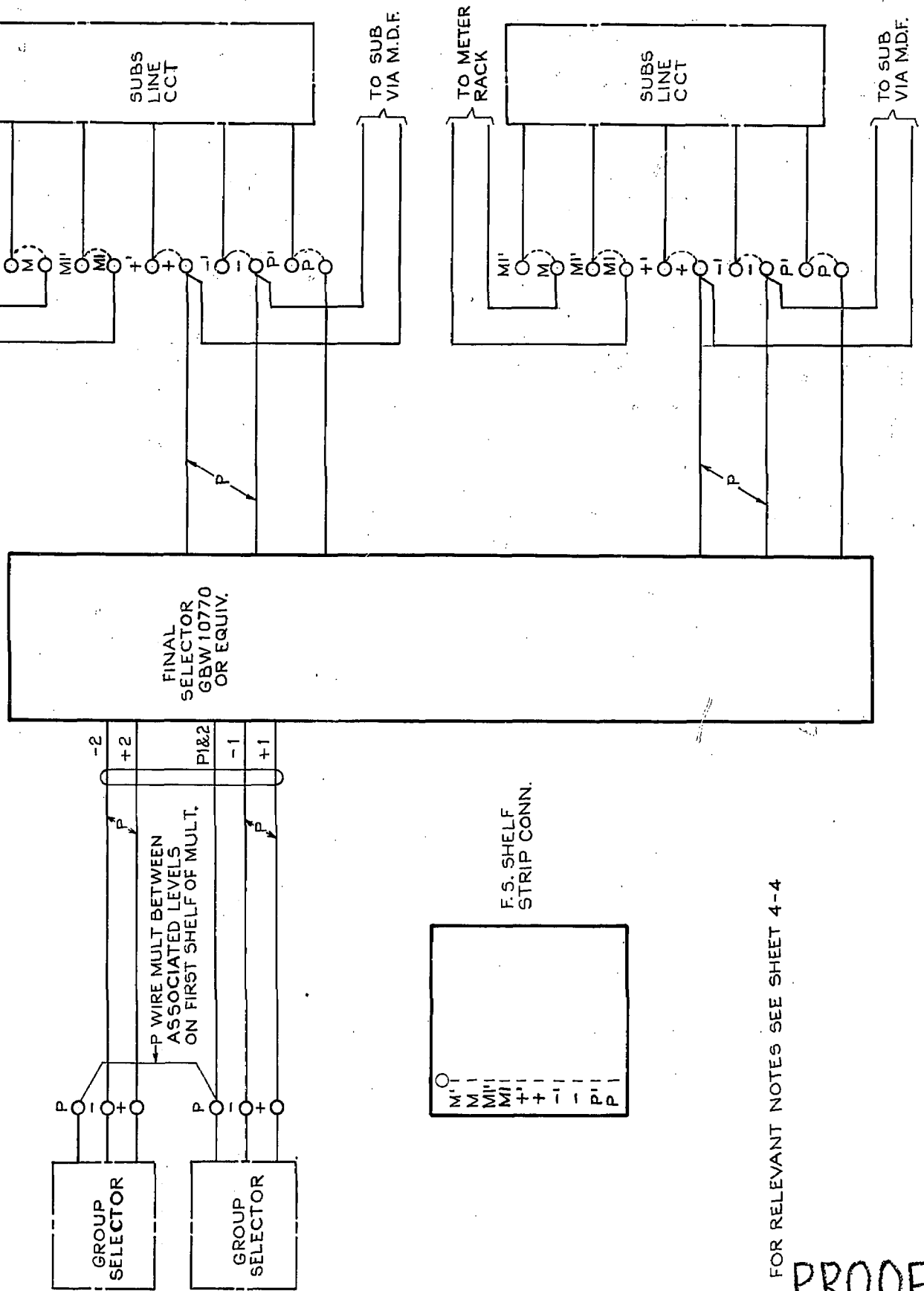


PROOF

RETRACED FROM ISS. 3 OF 16.11.56 (183022)				3A	16.11.79				200 LINE FINAL SELECTOR ORDINARY POSITIVE BATTERY METERING 2000 TYPE
WAS SHEET 2-2 (68197)				3	16.11.56	C.W.H.			
10772 ADDED TO DIAGRAM NUMBER (31667)				2	5.5.54				
				1	7.6.50				
AMENDMENT PARTICULARS				ISSUE	DATE	APD.	SIZE: A4		E
0 NZPO				5	DRAWN CHECKED WIRING ENGRS		GBX 10770 10772		
					Centimetres 10		10771		
							15		SHEET 2-4 20

FIG. 3
OUTLETS CONNECTED VIA FINAL SELECTOR RACK STRIP CONN

CABLING OF OUTLETS BETWEEN PEN-ULTIMATE GROUP SELECTOR BANK MULT TERM STRIPS AND FINAL SELECTORS WITHOUT I.D.F.



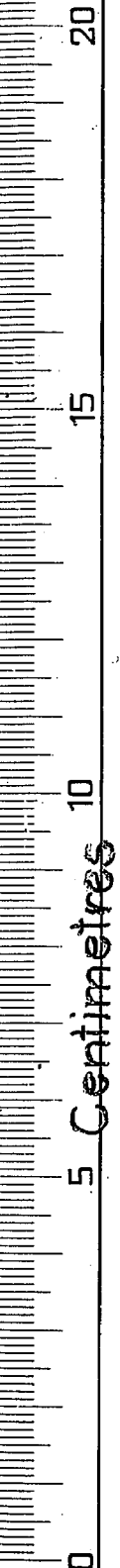
FOR RELEVANT NOTES SEE SHEET 4-4

PROOF

				200 LINE FINAL SELECTOR ORDINARY POSITIVE BATTERY METERING 2000 TYPE																			
RETRACED FROM ISS. 3 OF 16-11-56 (183022)		3 A	16-11-79																				
(68197)		3	16-11-56 C.W.H.																				
AMENDMENT PARTICULARS			ISSUE DATE	APD.	SIZE: A4	E																	
<table border="1"> <tr> <td>NZPO</td> <td>5</td> <td>DRAWN</td> <td>CHECKED</td> <td>WIRING</td> <td>ENGRS</td> </tr> <tr> <td></td> <td></td> <td></td> <td></td> <td>10</td> <td></td> </tr> </table>				NZPO	5	DRAWN	CHECKED	WIRING	ENGRS					10		<table border="1"> <tr> <td>GBX</td> <td>10770</td> <td>0772</td> </tr> <tr> <td></td> <td>10771</td> <td></td> </tr> </table>		GBX	10770	0772		10771	
NZPO	5	DRAWN	CHECKED	WIRING	ENGRS																		
				10																			
GBX	10770	0772																					
	10771																						
<p style="text-align: center;">Centimetres</p>						SHEET 3-4 20																	

NOTES

- 4.1 THE HUNDREDS NUMBERING OF THE PENULTIMATE SELECTOR LEVELS INDICATES HOW THE GROUPS ASSOCIATE WITH THE +2,-2 & +1,-1 TERMINALS, eg. LEVELS 24/23 INDICATES THAT THE OUTLETS FOR GROUP 24 ARE CONNECTED TO THE UPPER BANK OR +2,-2 TERMINALS.
- 4.2 EXCEPT WHEN OTHERWISE REQUIRED OR AS LIMITED BY THE SIZE OF CABLE PROVIDED, ALL OUTLETS SHALL BE COMPLETELY WIRED BETWEEN THE GROUP SELECTOR BANK MULTIPLE TERMINAL STRIPS AND THE FINAL SELECTOR SHELF JACKS.
- 4.3 WHERE GROUP SELECTOR OUTLETS ARE NOT CABLED THE "P" TERMINALS SHALL BE "COMMONED" ON THE BANK MULT. TERMINAL STRIPS AND CONNECTED TO EARTH VIA THE SHELF MISC. TERMINAL STRIP.
- 4.4 STRAPPING ON F.S. SHELF JACKS SHALL BE EFFECTED IN ACCORDANCE WITH THE NOTES ON THE RELEVANT GBU DIAGRAM.
- 4.5 FOR DIRECT CABLING TO F.S. GROUPS REFER TO GBW 14850.



PROOF

					200 LINE FINAL SELECTOR ORDINARY POSITIVE BATTERY METERING 2000 TYPE			
RETRACED FROM ISS. 3 OF 16-11-56		(183022)	3A	16-11-79				
		(68197)	3	16-11-56	C.W.H			
AMENDMEMENT PARTICULARS			ISSUE	DATE	APD.	SIZE: A4		E
					GBX 10770 10772 10771			
NZPO		DRAWN E.U.	CHECKED	WIRING	ENGRS			
SHEET 4-4								