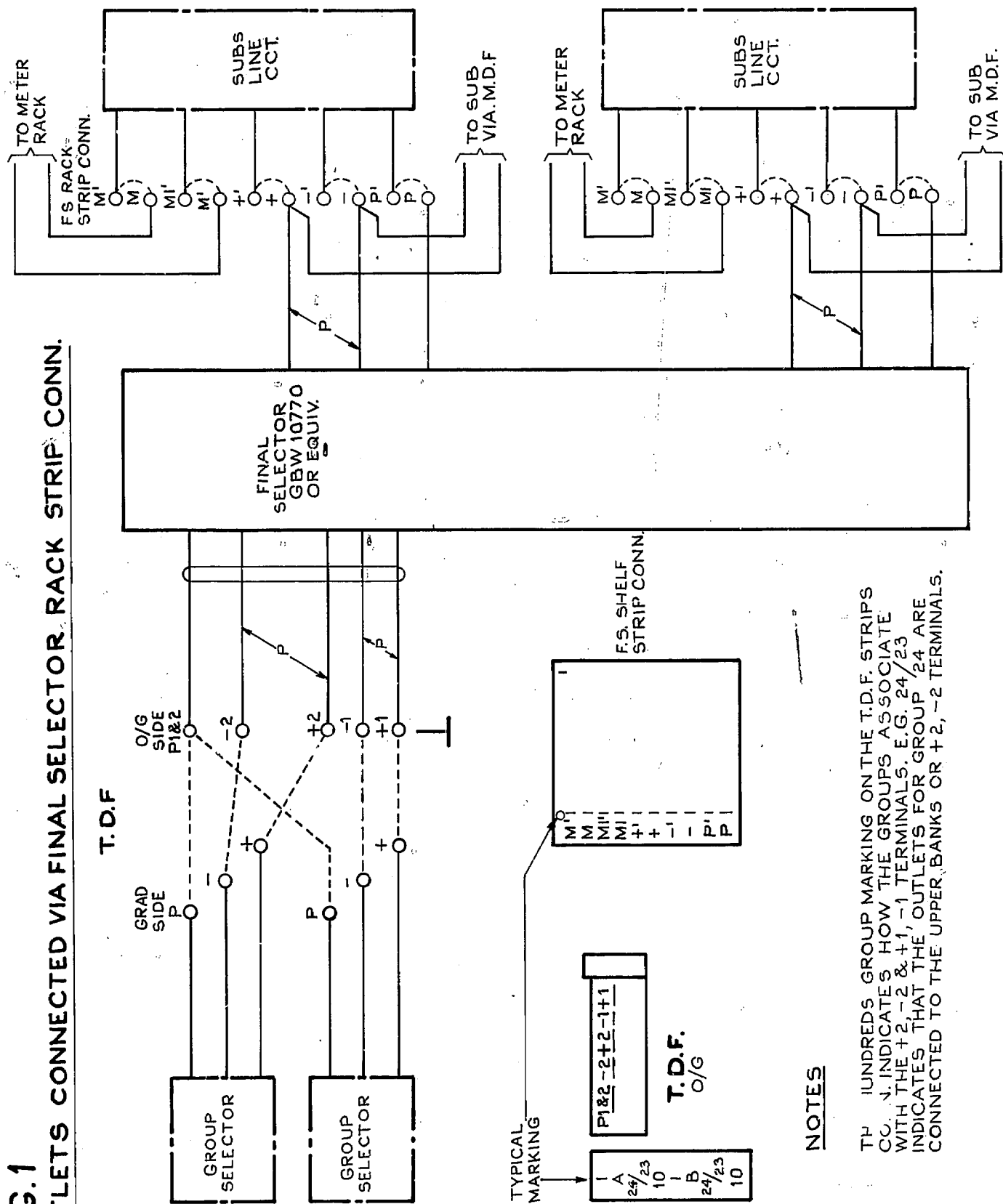


FIG.1
OUTLETS CONNECTED VIA FINAL SELECTOR RACK STRIP CONN.



NOTES

TH HUNDREDS GROUP MARKING ON THE T.D.F. STRIPS
CO. N. INDICATES HOW THE GROUPS ASSOCIATE
WITH THE +2, -2 & +1, -1 TERMINALS. E.G. 24/23
INDICATES THAT THE OUTLETS FOR GROUP 24 ARE
CONNECTED TO THE UPPER BANKS OR +2, -2 TERMINALS.

PROOF

RETRACED FROM ISS.3 OF 6.11.56	(183022)	3A	16.11.79	
WAS SHEET 1.2	(68197)	3	6.11.56	C.W.H.
10772 ADDED TO DIAGRAM NUMBER	(31667)	2	5.5.54	
		1	7.6.50	

**200 LINE FINAL SELECTOR
ORDINARY
POSITIVE BATTERY METERING
2000 TYPE**

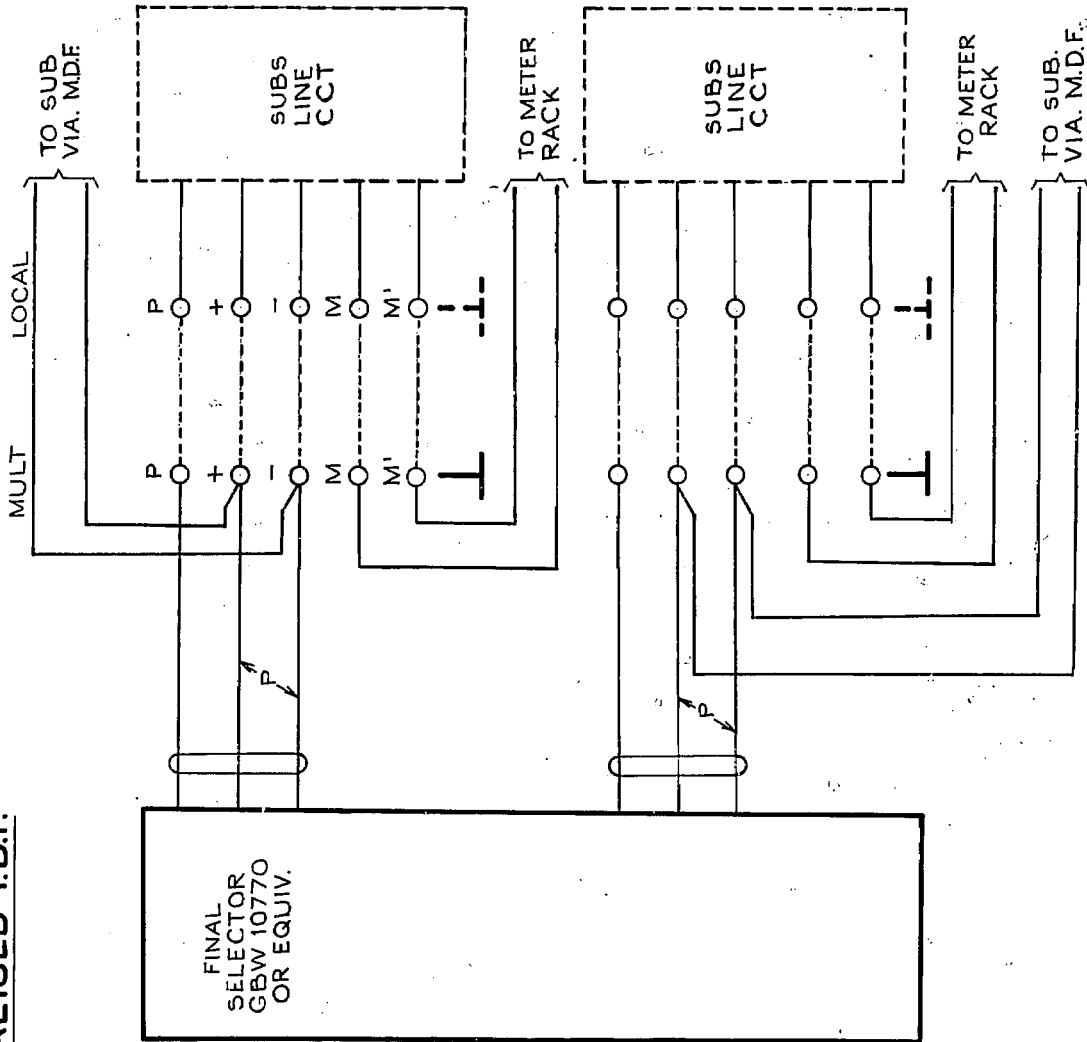
AMENDMENT PARTICULARS	ISS	DATE	APD	SIZE: A4	E
-----------------------	-----	------	-----	----------	---

ONZ PO	5	DRAWN	CHECKED	WIRING	ENGRS
Centimetres 10					

GBX 10770 10772
10771
SHEET 1-4

FIG. 2
OUTLETS CONNECTED VIA CENTRALISED I.D.F.

I.D.F.



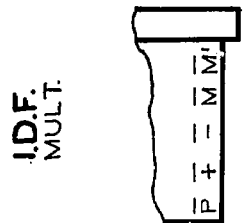
T.D.F.

I.D.F.
MULT.

TYPICAL
MAR '19

PROOF

T.D.F.
O/G



RETRACED FROM ISS. 3 OF 16.11.56 (183022)	3A	16.11.79
WAS SHEET 2-2 (68197)	3	16.11.56 C.W.H.
10772 ADDED TO DIAGRAM NUMBER (31667)	2	5.5.54
	1	7.6.50
AMENDMENT PARTICULARS	ISSUE	DATE
	APD.	
0 NZPO	5	DRAWN
		CHECKED
		WIRING
		ENGRS
	10	

**200 LINE FINAL SELECTOR
ORDINARY
POSITIVE BATTERY METERING
2000 TYPE**

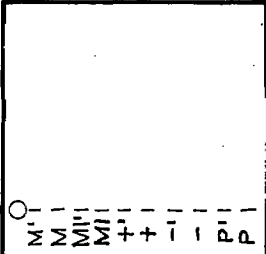
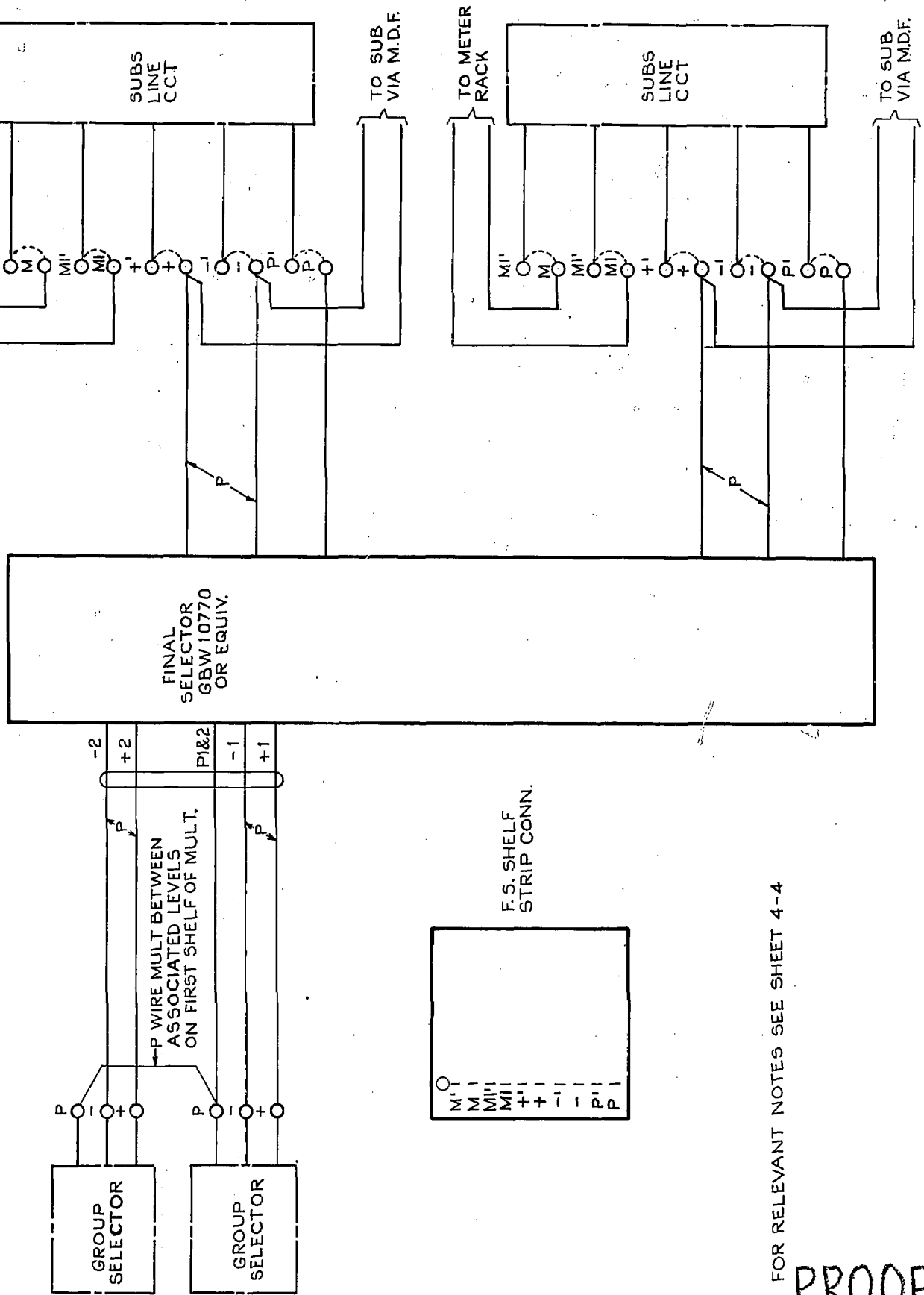
SIZE: A4 E

GBX 10770 10772
10771 15

Centimetres

FIG. 3
OUTLETS CONNECTED VIA FINAL SELECTOR RACK STRIP CONN

CABLING OF OUTLETS BETWEEN PEN-ULTIMATE GROUP SELECTOR BANK MULT TERM STRIPS AND FINAL SELECTORS WITHOUT I.D.F.



FOR RELEVANT NOTES SEE SHEET 4-4

PROOF

				200 LINE FINAL SELECTOR ORDINARY POSITIVE BATTERY METERING 2000 TYPE			
RETRACED FROM ISS. 3 OF 16-11-56 (183022)				3 A	16-11-79		
(68197)				3	16-11-56	C.W.H.	
AMENDMENT PARTICULARS				ISSUE	DATE	APD.	
				SIZE: A4		E	
NZPO	5	DRAWN	CHECKED	WIRING	ENGRS	GBX 10770 10771	
Centimetres				10	SHEET 3-4 20		

