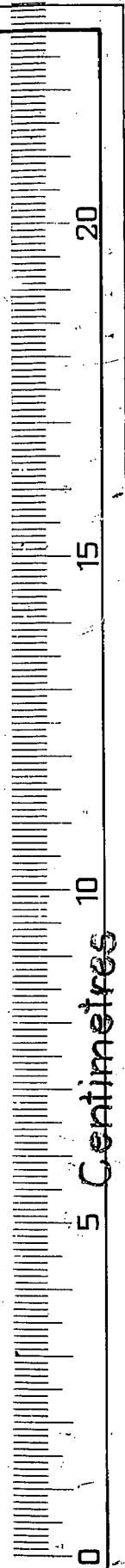
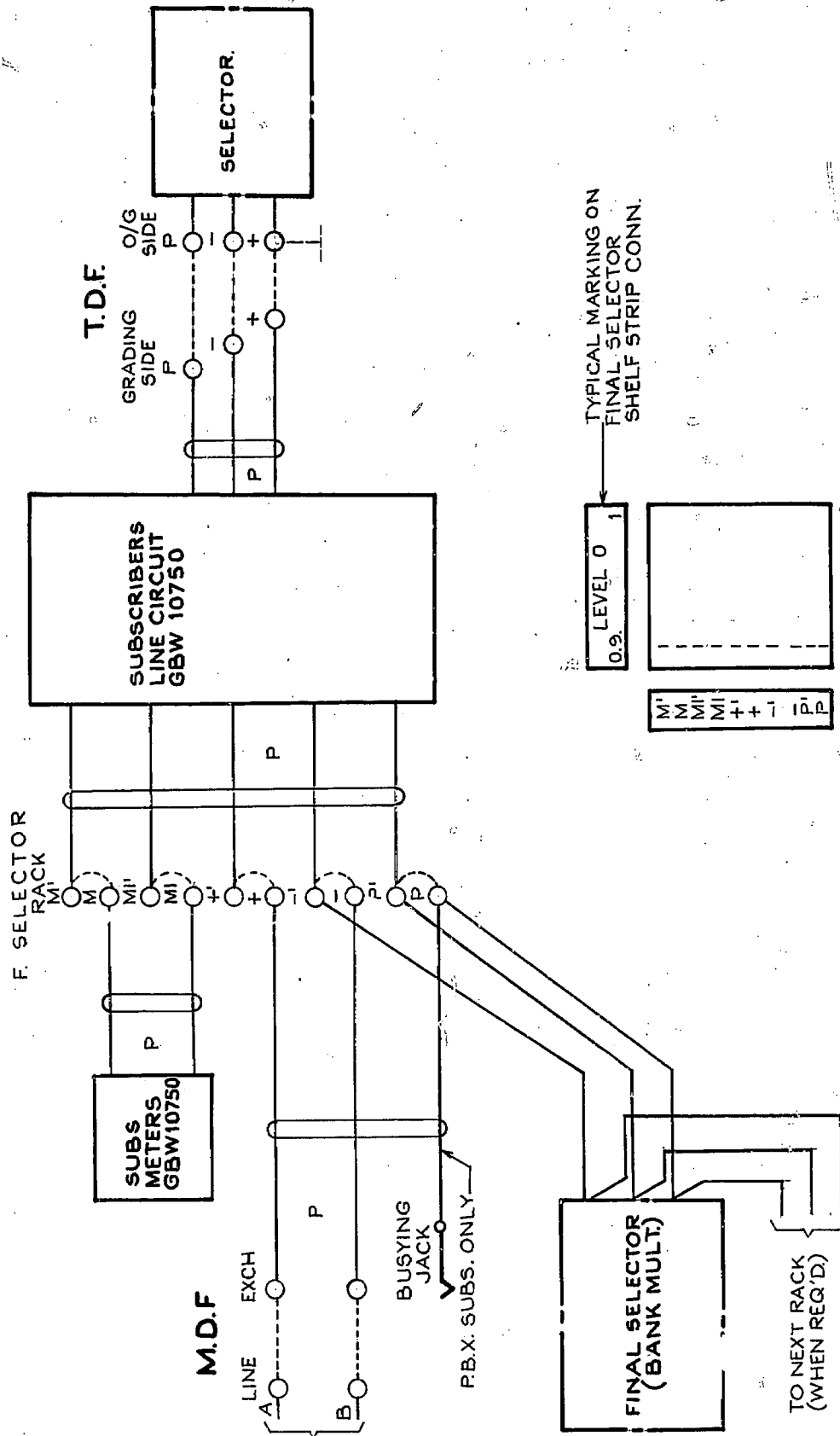


**FIG. 1**  
**REGULAR & 2-10 P.B.X. SUBSCRIBERS.**  
 (WITH I.D.F. FACILITIES ON FINAL SELECTOR RACK.)



SHTS 9 & 10 ADDED (63705)		5B	5.3.81	DH
RETRACED FROM ISS. 5 OF 20.5.55 (183024)		5A	22.11.79	
WAS SHEET 1-7 (34703)		5	20.5.55	
NO CHANGE ISS. ONLY ADVANCED (31668)		4	4.5.54	
NO CHANGE ISS. ONLY ADVANCED		3	19.1.53	
GBX 10752 ADDED TO DGM N° WAS SHEET 1-5		2	29.12.50	
		1	7.6.50	
AMENDMENT PARTICULARS		ISSUE	DATE	APD.
N.Z.P.O		DRAWN	CHECKED	WIRING
		E.U.		ENGRS.

**SUBSCRIBERS  
 LINE CIRCUIT  
 POSITIVE BATTERY METERING**

SIZE A 4      E

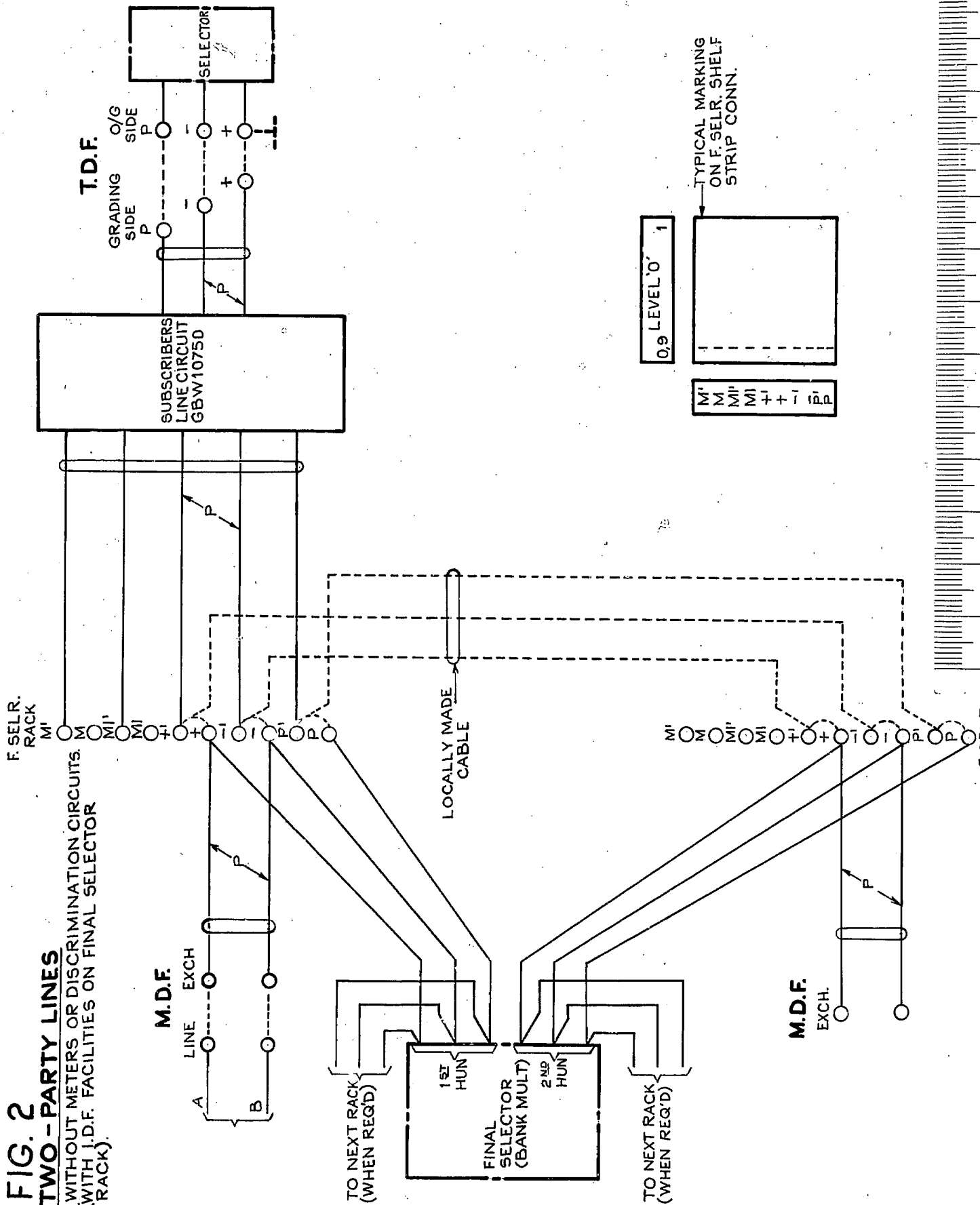
**GBX 10750 10752**  
**10751**

SHEET 1-10

**FIG. 2**

**TWO-PARTY LINES**

WITHOUT METERS OR DISCRIMINATION CIRCUITS.  
(WITH I.D.F. FACILITIES ON FINAL SELECTOR RACK)



AMENDMENT PARTICULARS		ISSUE	DATE	APD.
N.Z.P.O.		DRAWN	CHECKED	WIRING
		E.U.		ENGRS.

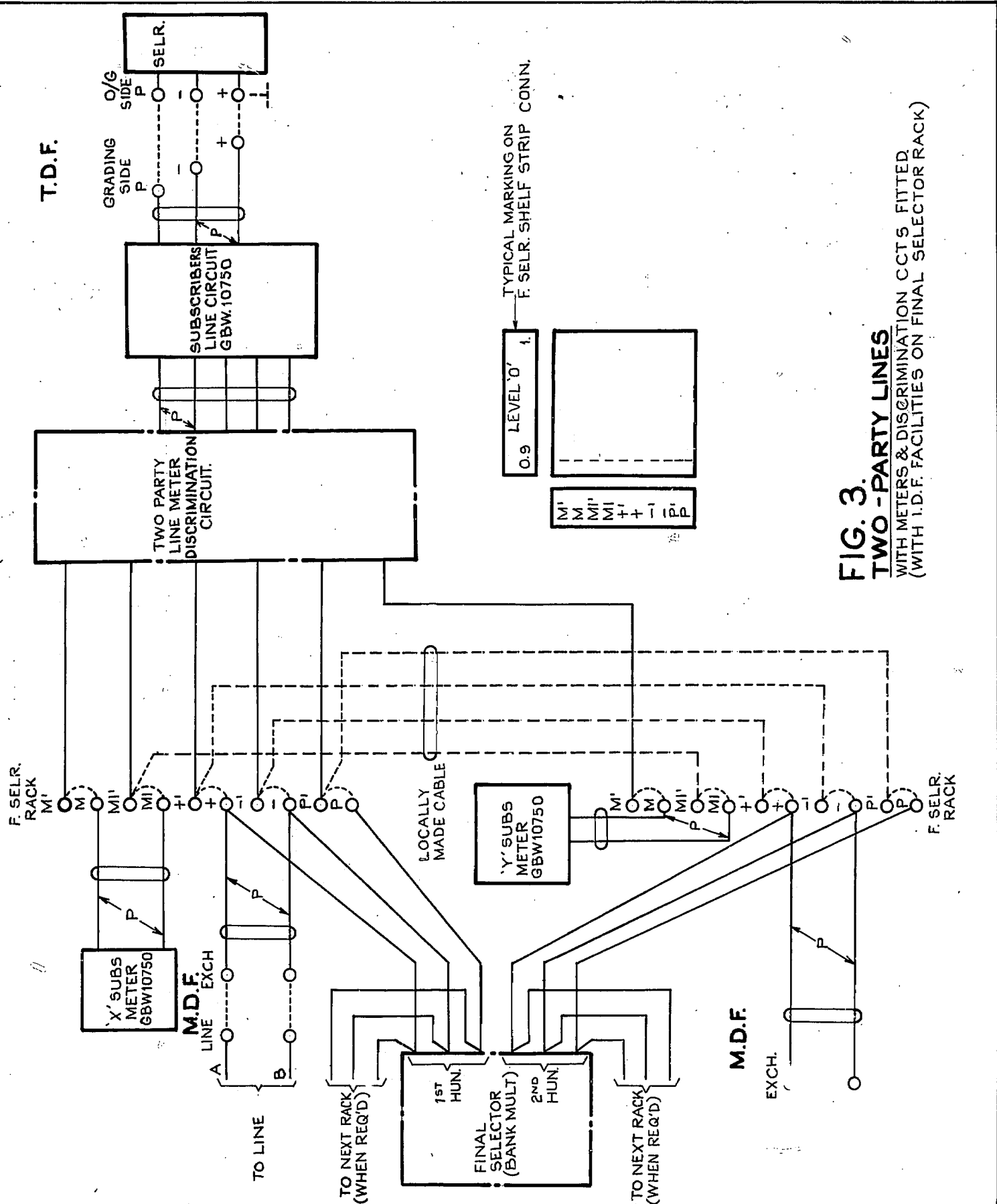
**SUBSCRIBERS  
LINE CIRCUIT  
POSITIVE BATTERY METERING**

SHTS 9 & 10 ADDED.	(63705)	5B	5.3.81	DH
RETRACED FROM ISS. 5 OF 20.5.55	(183024)	5A	22.11.79	
	(34703)	5	20.5.55	

GBX 10750 10752  
10751

SIZE A4 E

SHT. 2-10



**FIG. 3.**  
**TWO-PARTY LINES**  
 WITH METERS & DISCRIMINATION CCT'S FITTED  
 (WITH I.D.F. FACILITIES ON FINAL SELECTOR RACK)

5HTS 9 & 10 ADDED.	(63705)	5B	5.3.81	DH
RETRACED FROM ISS. 5 OF 20.5.55	(183024)	5A	22.11.79	
WAS FIG 2. SHEET 2-7	(34703)	5	20.5.55	
X-Y PARTY JUMPERS REVISED	(31668)	4	4.5.54	
1ST & 2ND/HUNDREDS INDICATED		3	19.1.53	
GBX 10752 ADDED TO DGM N <sup>o</sup> . WAS SHEET 2-5		2	29.12.50	
		1	7.6.50	

**SUBSCRIBERS  
 LINE CIRCUIT  
 POSITIVE BATTERY METERING**

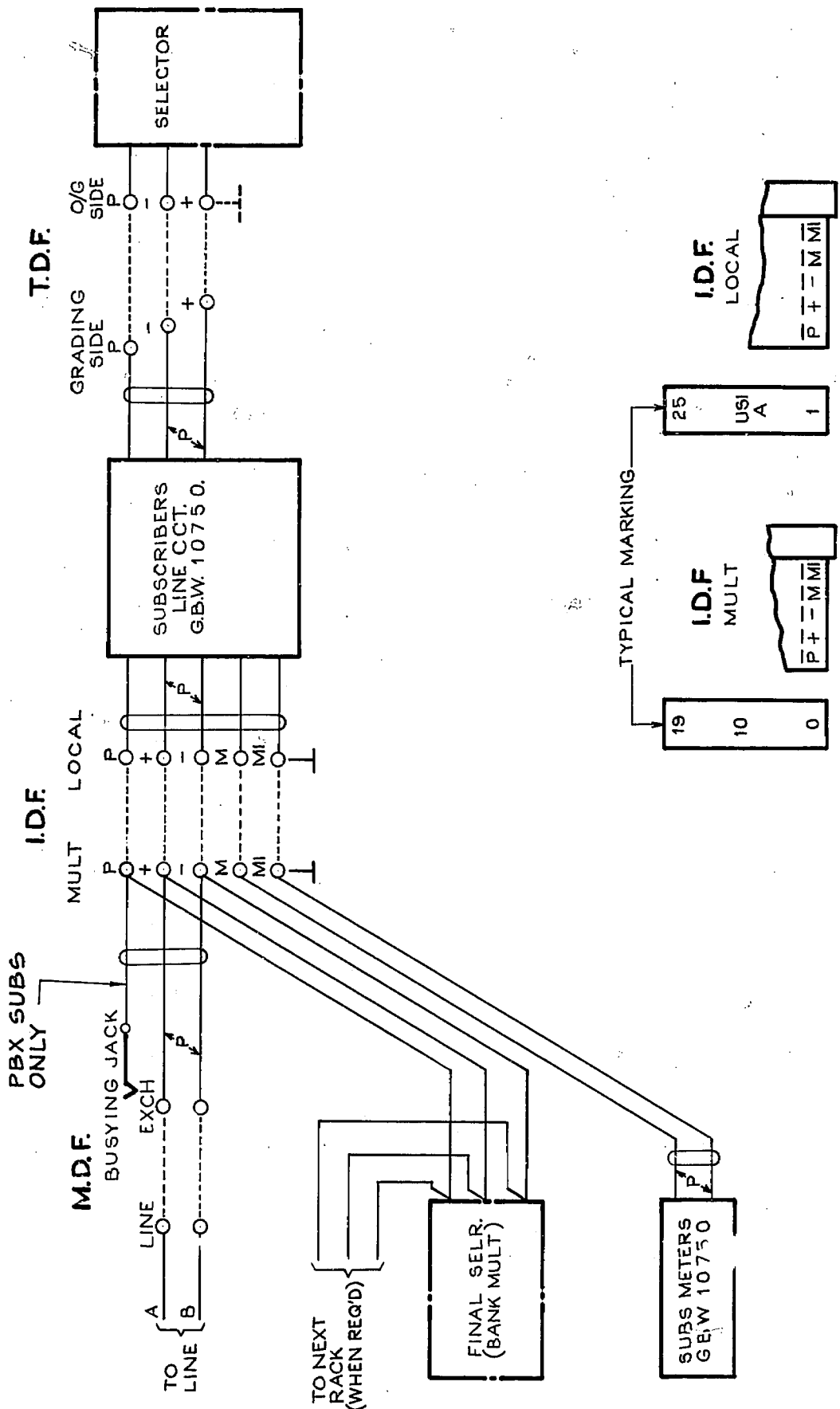
AMENDMENT PARTICULARS	ISSUE	DATE	APD.
-----------------------	-------	------	------

SIZE	A4	E
------	----	---

N.Z.P.O	5	DRAWN	CHECKED	WIRING	ENGRS.
---------	---	-------	---------	--------	--------

GBX 10750 10752  
 10751

**FIG. 4**  
**REGULAR & 2-10 PBX. SUBSCRIBERS**  
 (WITH CENTRALISED I.D.F.)



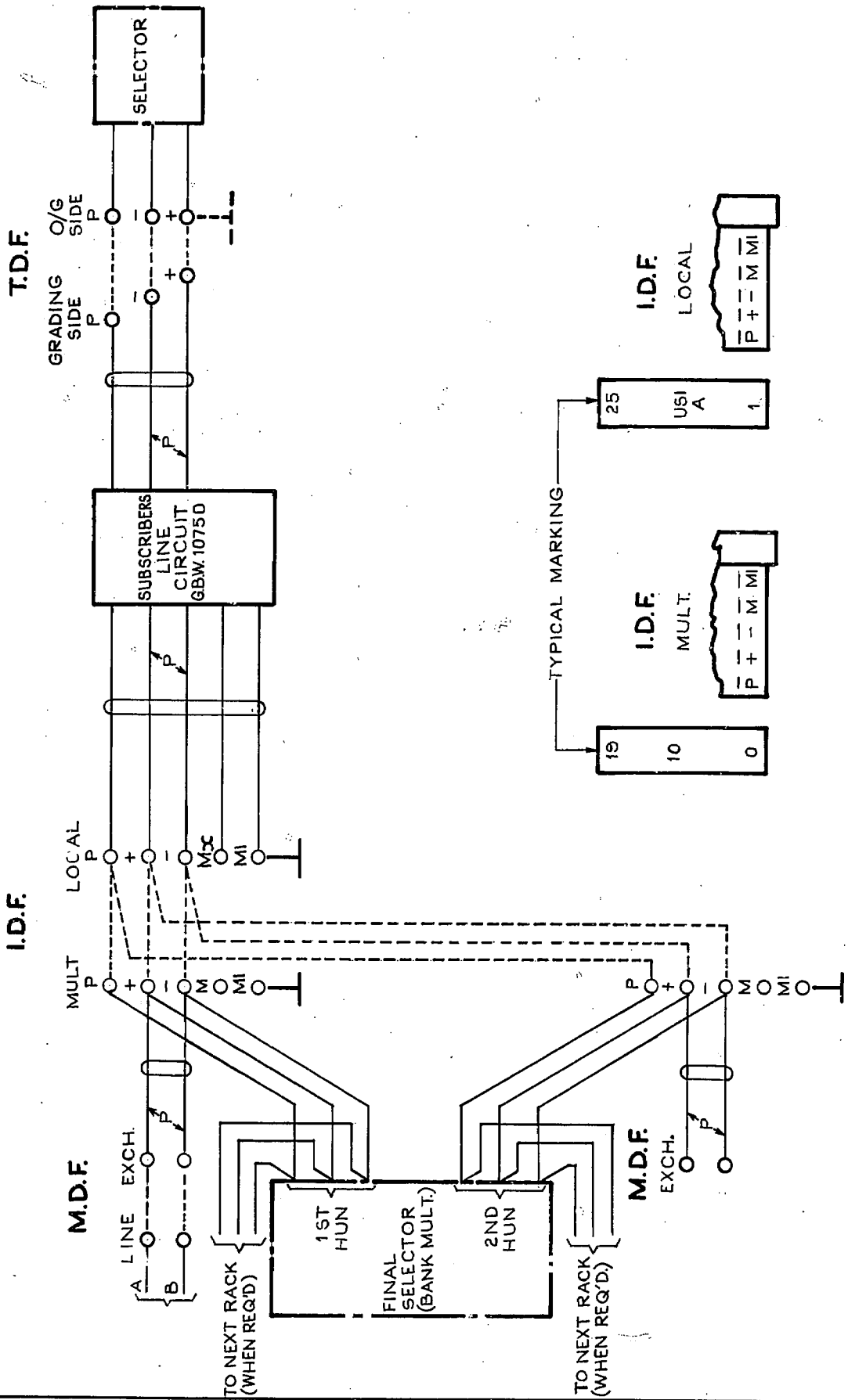
SHTS 9 & 10 ADDED	(63705)	5B	5.3.81	D.H.
RETRACED FROM 155.5 OF 20.5.55	(183024)	5A	22.11.79	
WAS SHEET 4-7	(34703)	5	20.5.55	
NO CHANGE ISSUE ONLY ADVANCED	(31668)	4	4.5.54	
NO CHANGE. ISSUE ONLY ADVANCED		3	19.1.53	
GBX 10752 ADDED TO DGM. N <sup>o</sup> WAS SHEET 4-5		2	29.12.50	
		1	7.6.50	
AMENDMENT PARTICULARS		ISSUE	DATE	APD.
N.Z.P.O.		DRAWN E.U.	CHECKED	WIRING ENGRS.

**SUBSCRIBERS  
 LINE CIRCUIT  
 POSITIVE BATTERY METERING**

	SIZE A4		E
GBX	10750	10752	
	10751		

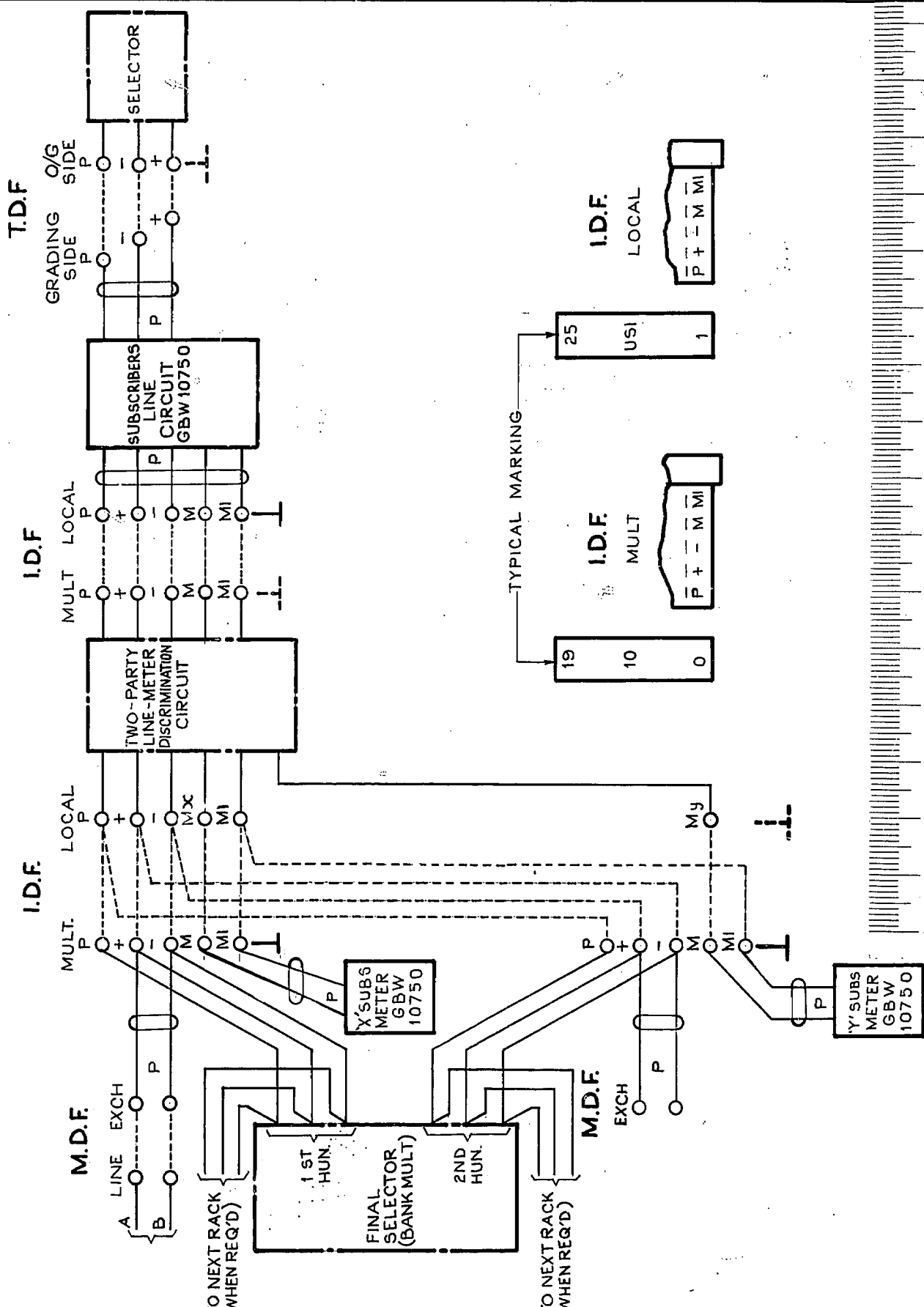
SHT 4-10

**FIG. 5**  
**TWO PARTY-LINES**  
 (WITH CENTRALISED IDF)  
 WITHOUT METERS OR DISCRIMINATION CIRCUITS.



					<b>SUBSCRIBERS LINE CIRCUIT POSITIVE BATTERY METERING</b>		
SHTS 9 & 10 ADDED.		(63705)	5B	5.3.81	DH.		
RETRACED FROM ISS. 5 OF 20-5-55		(183024)	5A	22-11-79			
		(34703)	5	20-5-55			
AMENDMENT PARTICULARS			ISSUE	DATE	APD.	SIZE <b>A4</b>	E
N.Z.P.O			DRAWN E.U.	CHECKED	WIRING	ENGRS.	
					<b>GBX</b>	<b>10750 10752 10751</b>	SHT. 5-10

**FIG. 6**  
**TWO-PARTY LINES**  
 (WITH CENTRALISED IDF)  
 WITH METERS AND DISCRIMINATION CIRCUITS.



SHTS 9 & 10 ADDED		(63705)	5B	5.3.81	DH.
RETRACED FROM ISS. 5 OF 20.5.55		(183024)	5A	22.11.79	
WAS SHT. 5-7		(34703)	5	20.5.55	
NO CHANGE. ISS. ONLY ADVANCED		(31668)	4	4.5.54	
1ST. & 2ND HUNDREDS INDICATED			3	19.1.53	
GBX 10752 ADDED TO DGM. N° WAS SHT. 5-5			2	29.12.50	
			1	7.6.50	
AMENDMENT PARTICULARS			ISSUE	DATE	APD.
N.Z.P.O		DRAWN	CHECKED	WIRING	ENGRS.
		E.U.			

**SUBSCRIBERS  
 LINE CIRCUIT  
 POSITIVE BATTERY METERING**

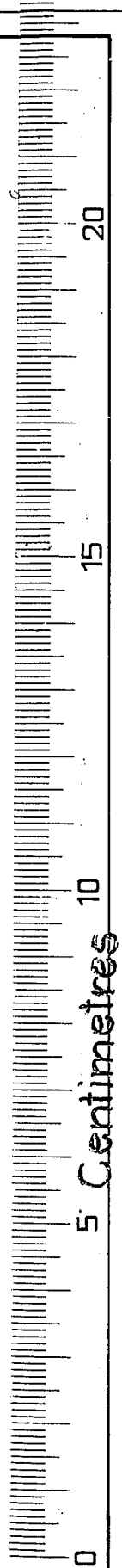
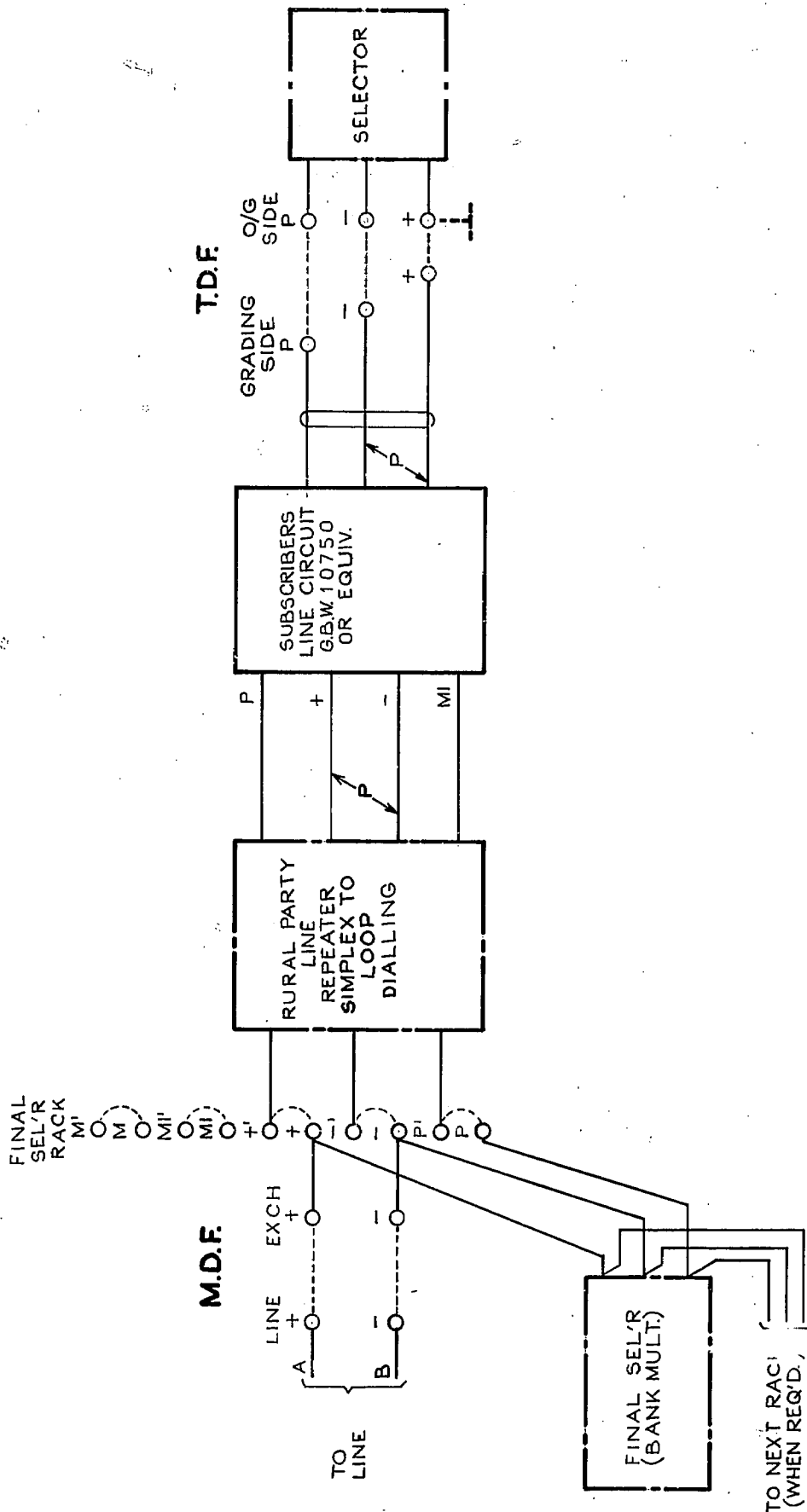
	SIZE <b>A4</b>	E
--	----------------	---

GBX

10750	10752
10751	

SHT 6-10

**FIG. 7**  
**RURAL PARTY LINES**  
 (WITH I.D.F. FACILITIES ON FINAL SEL'R BACK.)

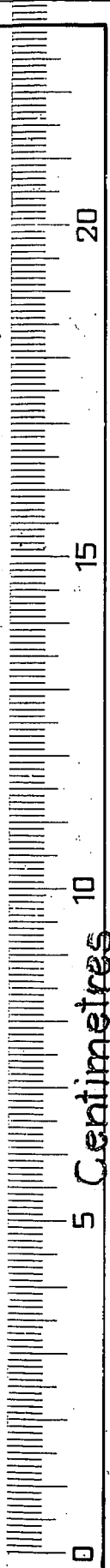
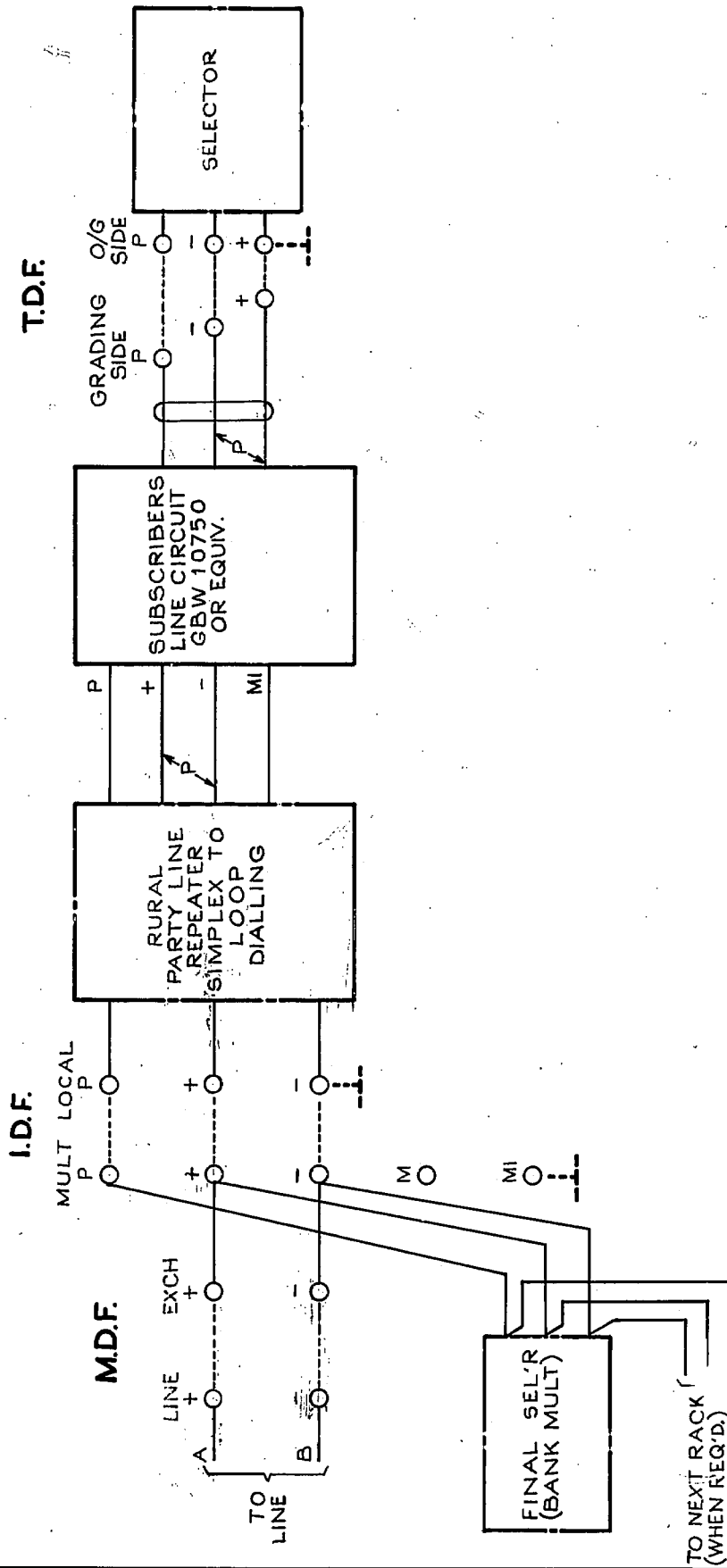


SHTS 9 & 10 ADDED.		(63705)	5B	5.3.81	D.H.
RETRACED FROM ISS. 5 OF 20.5.55		(183024)	5A	22.11.79	
WAS FIG. 6 SHEET 6-7		(34703)	5	20.5.55	
NO CHANGE ISS. ONLY ADVANCED		(31668)	4	4.5.55	
			3	19.1.53	
			2	29.12.50	
AMENDMENT PARTICULARS			ISSUE	DATE	APD.
N.Z.P.O		DRAWN E.U.	CHECKED	WIRING	ENGRS.

**SUBSCRIBERS  
 LINE CIRCUIT  
 POSITIVE BATTERY METERING**

GBX	10750 10751	10752
		SHT. 7-10

**FIG. 8**  
**RURAL PARTY LINES.**  
 (WITH CENTRALISED I.D.F.)



SHTS 9 & 10 ADDED.	(63705)	5B	5.3.81	D.H.	<b>SUBSCRIBERS LINE CIRCUIT POSITIVE BATTERY METERING</b>	
RETRACED FROM ISS. 5 OF 20-5-55	(183024)	5A	22-11-79			
WAS FIG. 7 SHT. 7-7	(34703)	5	20-5-55			
NO CHANGE ISS. ONLY ADVANCED	(31668)	4	4-5-54			
NO CHANGE ISS. ONLY ADVANCED		3	19-1-53			
		2	29-12-50			
AMENDMENT PARTICULARS		ISSUE	DATE	APD.	SIZE <b>A4</b>	E
					<b>GBX</b>	10750 10752 10751
N.Z.P.O		DRAWN E.U.	CHECKED WIRING	ENGRS.	SHT. 8-10	



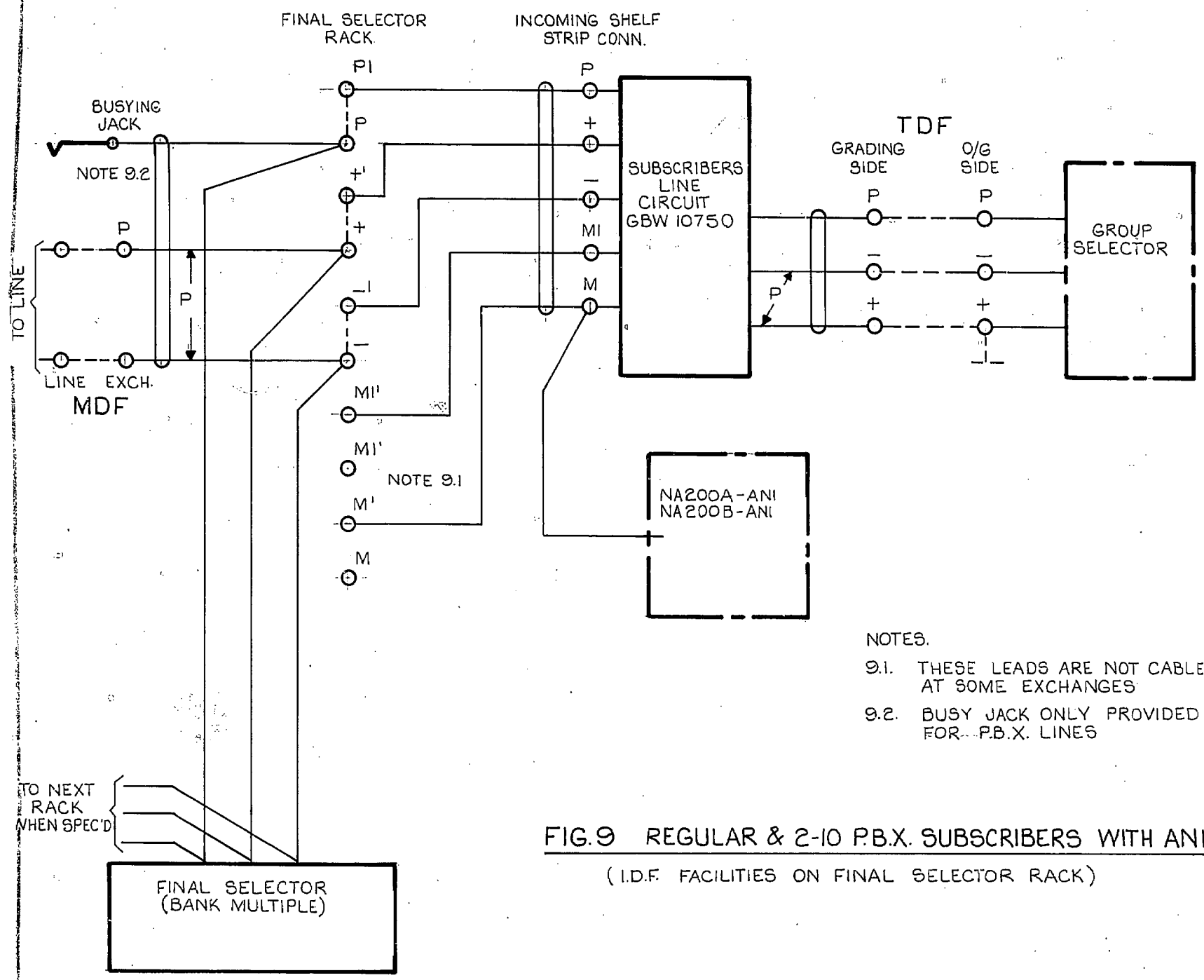
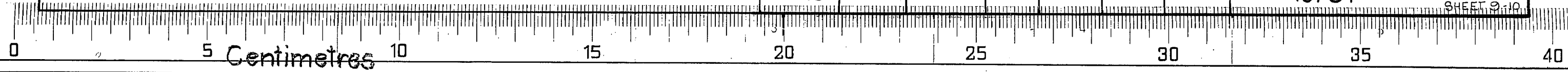
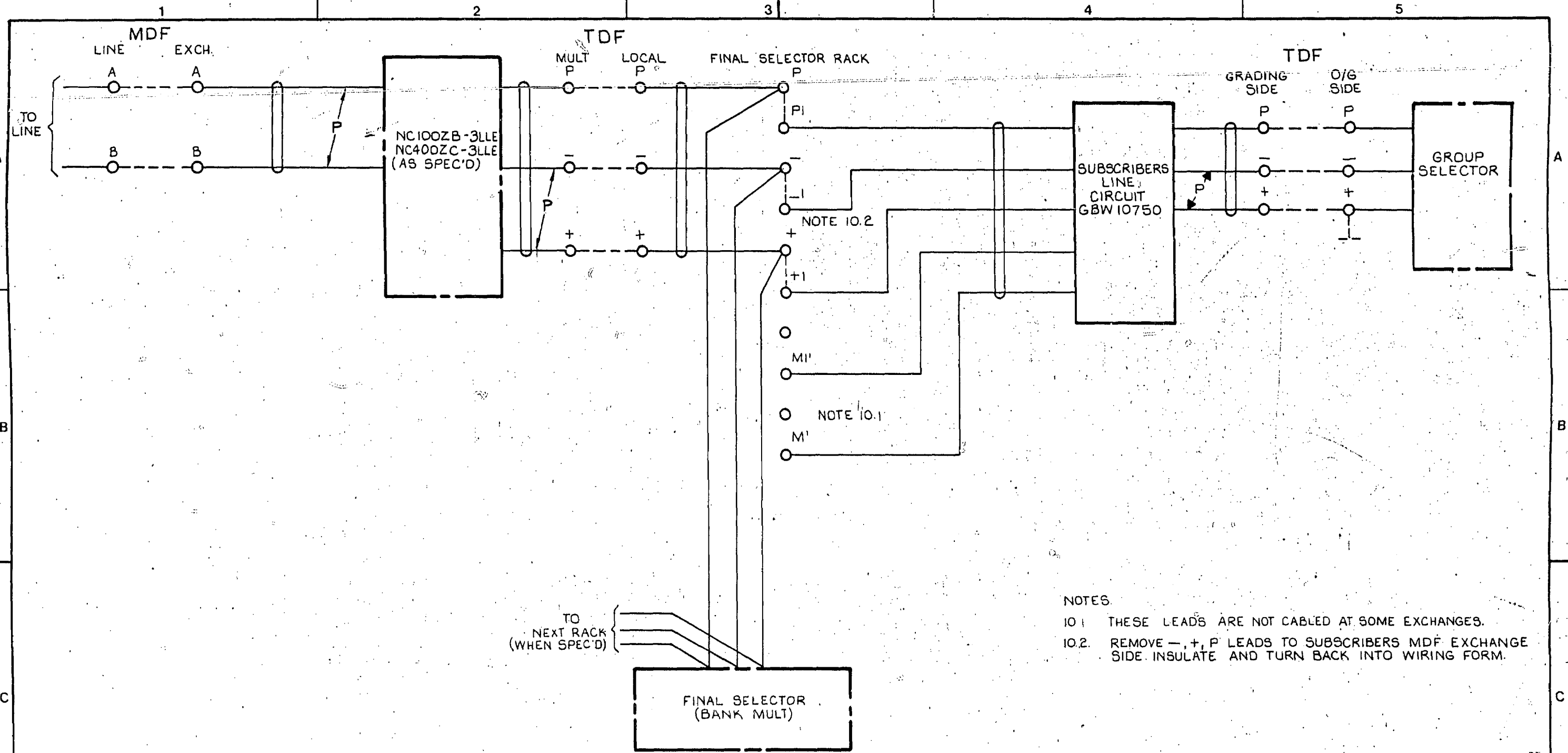


FIG.9 REGULAR & 2-10 P.B.X. SUBSCRIBERS WITH ANI  
(I.D.F. FACILITIES ON FINAL SELECTOR RACK)

				SUBSCRIBERS LINE CIRCUIT POSITIVE BATTERY METERING			
SHT 9 & 10 ADDED. (63705)				5B	5.3.81	D.H.	
AMENDMENT PARTICULARS				ISSUE	DATE	APD.	
N.Z.P.O.				DRAWN	CHECKED	WIRING	ENGRS.
				GBX 10750 10752 10751			
				SHEET 9 of 10			

UD 235





NOTES.  
 10.1 THESE LEADS ARE NOT CABLED AT SOME EXCHANGES.  
 10.2 REMOVE -, +, P LEADS TO SUBSCRIBERS MDF EXCHANGE SIDE. INSULATE AND TURN BACK INTO WIRING FORM.

FIG. 10 REGULAR SUBSCRIBER WITH NEC, LLE

				SUBSCRIBERS			
				LINE CIRCUIT			
				POSITIVE BATTERY METERING			
				E			
				GBX 10750, 10751			
				10752 SHEET 10-10			
E NEW SHTS ADDED		(63705)	6	6.3.81	RH.		
WAS FIG 7 SHT 77		(34703)	5	20.5.55			
NO CHANGE ISSUE ONLY ADVANCED		(31668)	4	4.5.54			
NO CHANGE ISSUE ONLY ADVANCED			3	19.1.53			
			2	29.12.50			
AMENDMENT PARTICULARS				ISS.	DATE	APD	
N.Z.P.O.		DRAWN	CHECKED	WIRING	ENGRS		

UD 235