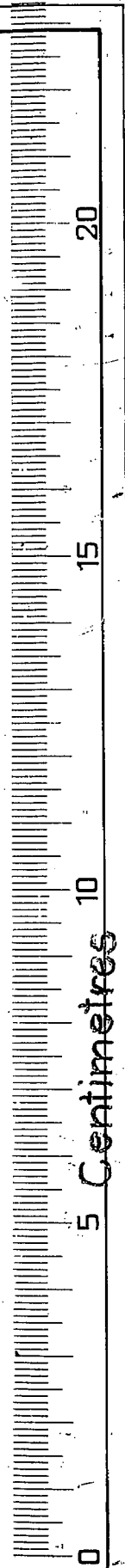
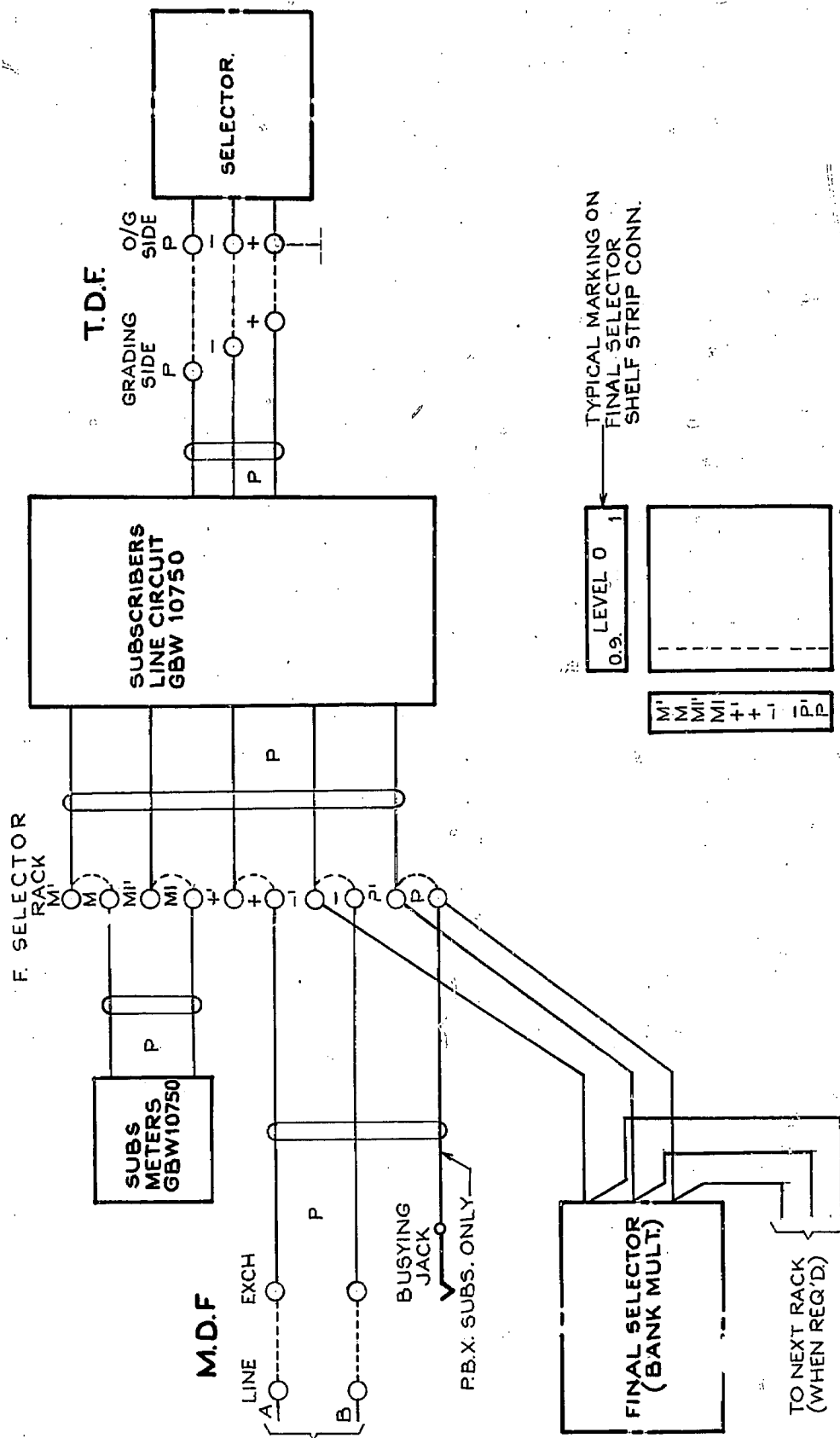


**FIG. 1**  
**REGULAR & 2-10 P.B.X. SUBSCRIBERS.**  
 (WITH I.D.F. FACILITIES ON FINAL SELECTOR RACK.)



|  |  |               |          |               |
|--|--|---------------|----------|---------------|
| SHTS 9 & 10 ADDED (63705)                |  | 5B            | 5.3.81   | DH            |
| RETRACED FROM ISS. 5 OF 20.5.55 (183024) |  | 5A            | 22.11.79 |               |
| WAS SHEET 1-7 (34703)                    |  | 5             | 20.5.55  |               |
| NO CHANGE ISS. ONLY ADVANCED (31668)     |  | 4             | 4.5.54   |               |
| NO CHANGE ISS. ONLY ADVANCED             |  | 3             | 19.1.53  |               |
| GBX 10752 ADDED TO DGM N° WAS SHEET 1-5  |  | 2             | 29.12.50 |               |
|  |  | 1             | 7.6.50   |               |
| AMENDMENT PARTICULARS                    |  | ISSUE         | DATE     | APD.          |
| N.Z.P.O                                  |  | DRAWN<br>E.U. | CHECKED  | WIRING ENGRS. |

**SUBSCRIBERS  
 LINE CIRCUIT  
 POSITIVE BATTERY METERING**

SIZE A 4 E

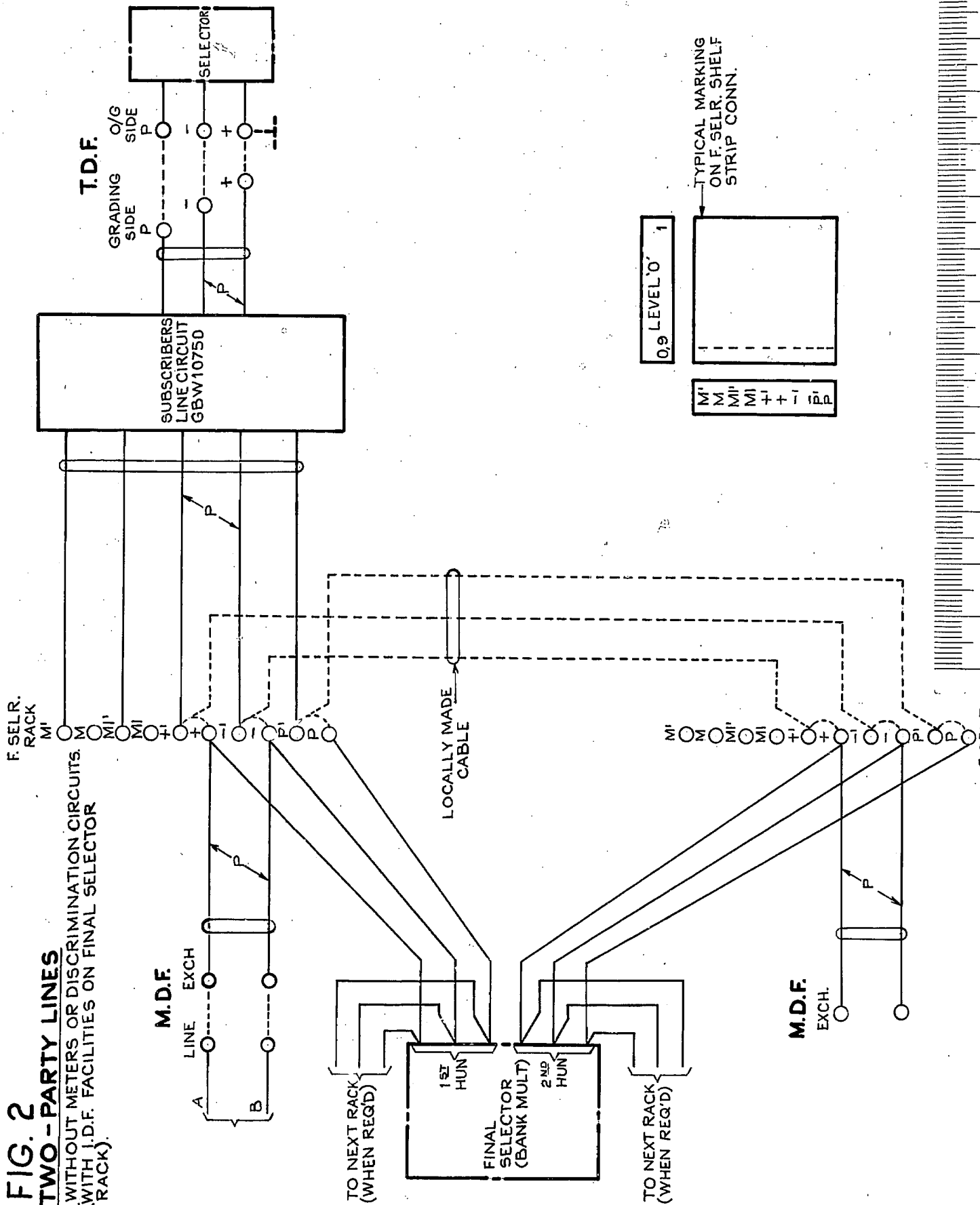
**GBX 10750 10752  
 10751**

SHEET 1-10

**FIG. 2**

**TWO-PARTY LINES**

WITHOUT METERS OR DISCRIMINATION CIRCUITS.  
(WITH I.D.F. FACILITIES ON FINAL SELECTOR RACK)



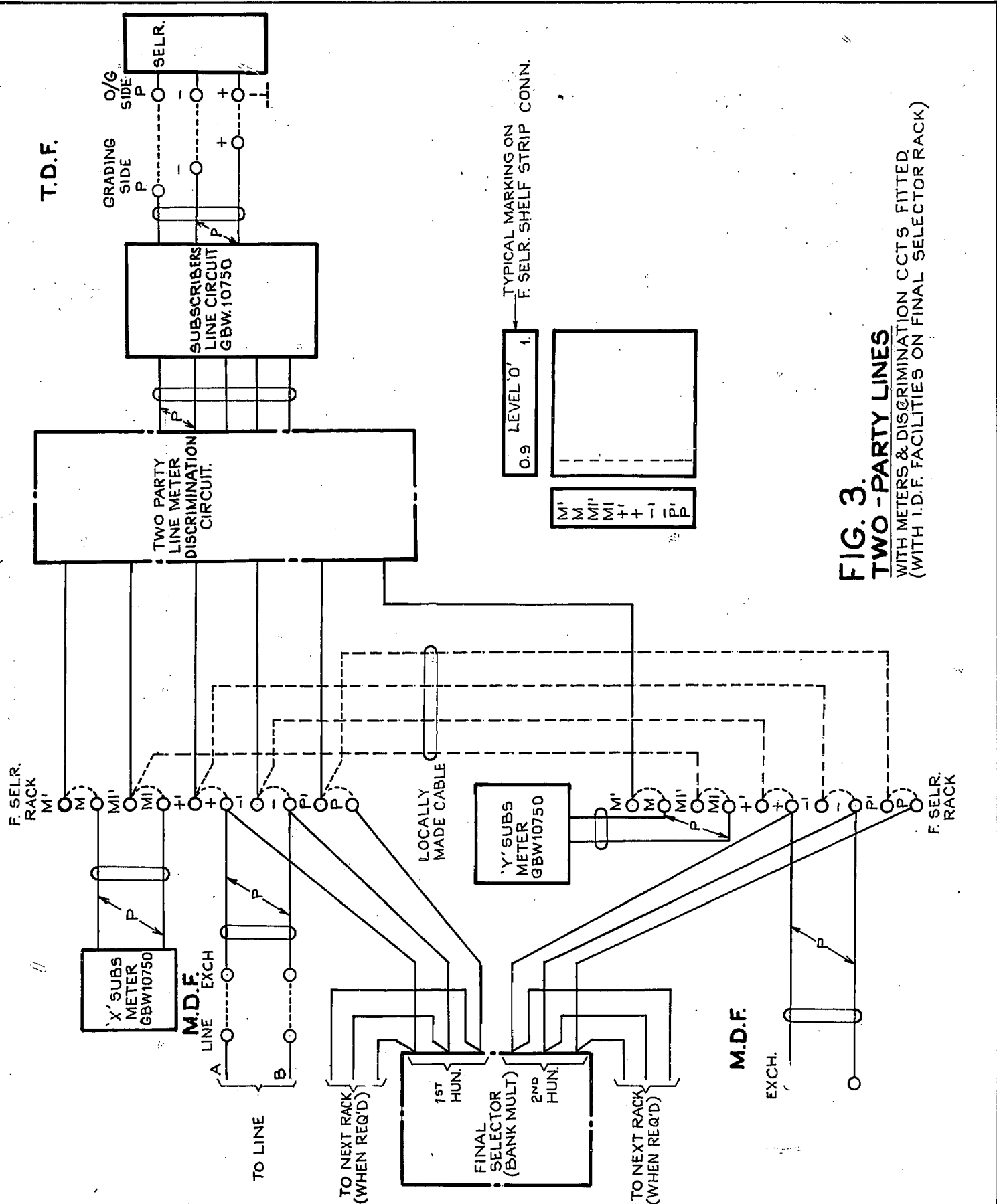
|                                 |  |          |         |          |        |
|---------------------------------|--|----------|---------|----------|--------|
| SHTS 9 & 10 ADDED.              |  | (63705)  | 5B      | 5.3.81   | DH     |
| RETRACED FROM ISS. 5 OF 20.5.55 |  | (183024) | 5A      | 22.11.79 |        |
|                                 |  | (34703)  | 5       | 20.5.55  |        |
| AMENDMENT PARTICULARS           |  | ISSUE    | DATE    | APD.     |        |
| N.Z.P.O.                        |  | DRAWN    | CHECKED | WIRING   | ENGRS. |
|                                 |  | E.U.     |         |          |        |

**SUBSCRIBERS  
LINE CIRCUIT  
POSITIVE BATTERY METERING**

**GBX 10750 10752  
10751**

SIZE A4 E

SHT. 2-10



**FIG. 3.**  
**TWO-PARTY LINES**  
 WITH METERS & DISCRIMINATION CCT'S FITTED  
 (WITH I.D.F. FACILITIES ON FINAL SELECTOR RACK)

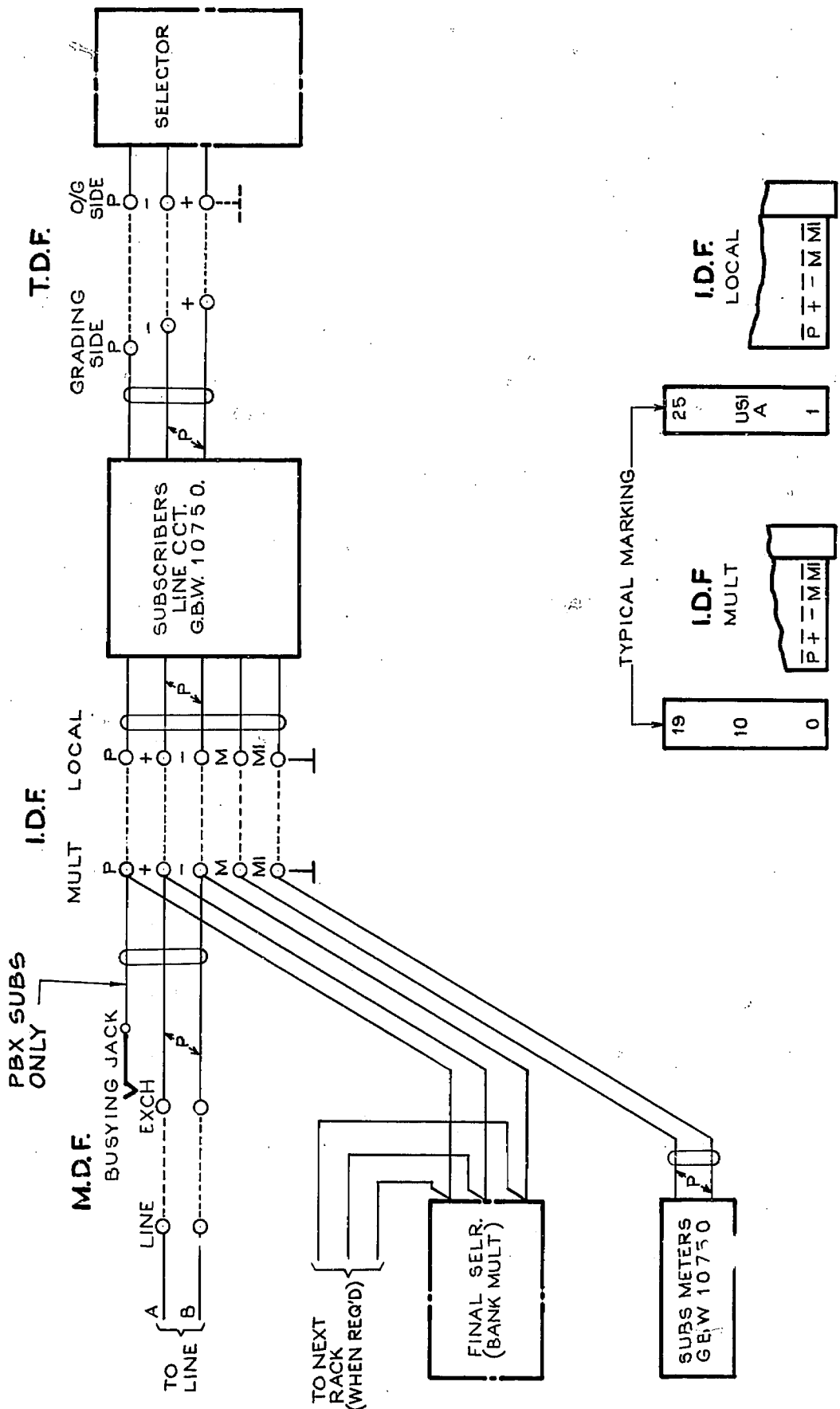
|   |          |    |          |    |
|---|----------|----|----------|----|
| 5HTS 9 & 10 ADDED.                                    | (63705)  | 5B | 5.3.81   | DH |
| RETRACED FROM ISS. 5 OF 20.5.55                       | (183024) | 5A | 22.11.79 |    |
| WAS FIG 2. SHEET 2-7                                  | (34703)  | 5  | 20.5.55  |    |
| X-Y PARTY JUMPERS REVISED                             | (31668)  | 4  | 4.5.54   |    |
| 1ST & 2ND/HUNDREDS INDICATED                          |          | 3  | 19.1.53  |    |
| GBX 10752 ADDED TO DGM N <sup>o</sup> . WAS SHEET 2-5 |          | 2  | 29.12.50 |    |
|   |          | 1  | 7.6.50   |    |

**SUBSCRIBERS  
 LINE CIRCUIT  
 POSITIVE BATTERY METERING**

|                       |       |      |      |      |    |   |
|-----------------------|-------|------|------|------|----|---|
| AMENDMENT PARTICULARS | ISSUE | DATE | APD. | SIZE | A4 | E |
|-----------------------|-------|------|------|------|----|---|

N.Z.P.O. 5 Centimetres 10 ENGRS. GBX 10750 10752 10751 15 SHEET 3-10 20

**FIG. 4**  
**REGULAR & 2-10 PBX. SUBSCRIBERS**  
 (WITH CENTRALISED I.D.F.)



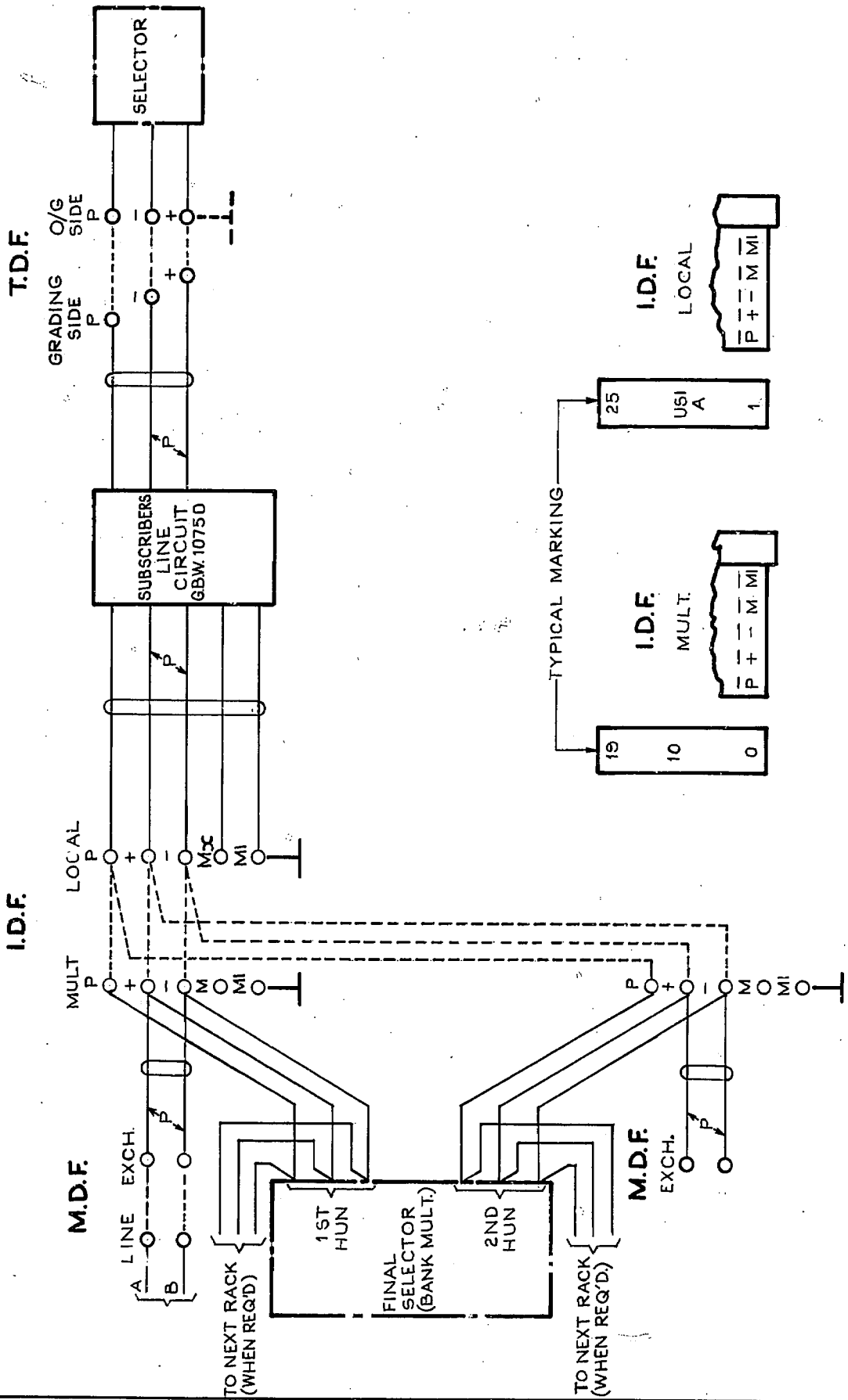
|  |          |               |          |                  |
|--|----------|---------------|----------|------------------|
| SHTS 9 & 10 ADDED                                    | (63705)  | 5B            | 5.3.81   | D.H.             |
| RETRACED FROM 155.5 OF 20.5.55                       | (183024) | 5A            | 22.11.79 |                  |
| WAS SHEET 4-7  | (34703)  | 5             | 20.5.55  |                  |
| NO CHANGE ISSUE ONLY ADVANCED                        | (31668)  | 4             | 4.5.54   |                  |
| NO CHANGE. ISSUE ONLY ADVANCED                       |          | 3             | 19.1.53  |                  |
| GBX 10752 ADDED TO DGM. N <sup>o</sup> WAS SHEET 4-5 |          | 2             | 29.12.50 |                  |
|  |          | 1             | 7.6.50   |                  |
| AMENDMENT PARTICULARS                                |          | ISSUE         | DATE     | APD.             |
| N.Z.P.O.   |          | DRAWN<br>E.U. | CHECKED  | WIRING<br>ENGRS. |

**SUBSCRIBERS  
 LINE CIRCUIT  
 POSITIVE BATTERY METERING**

|     |         |       |   |
|-----|---------|-------|---|
|     | SIZE A4 |       | E |
| GBX | 10750   | 10752 |   |
|     | 10751   |       |   |

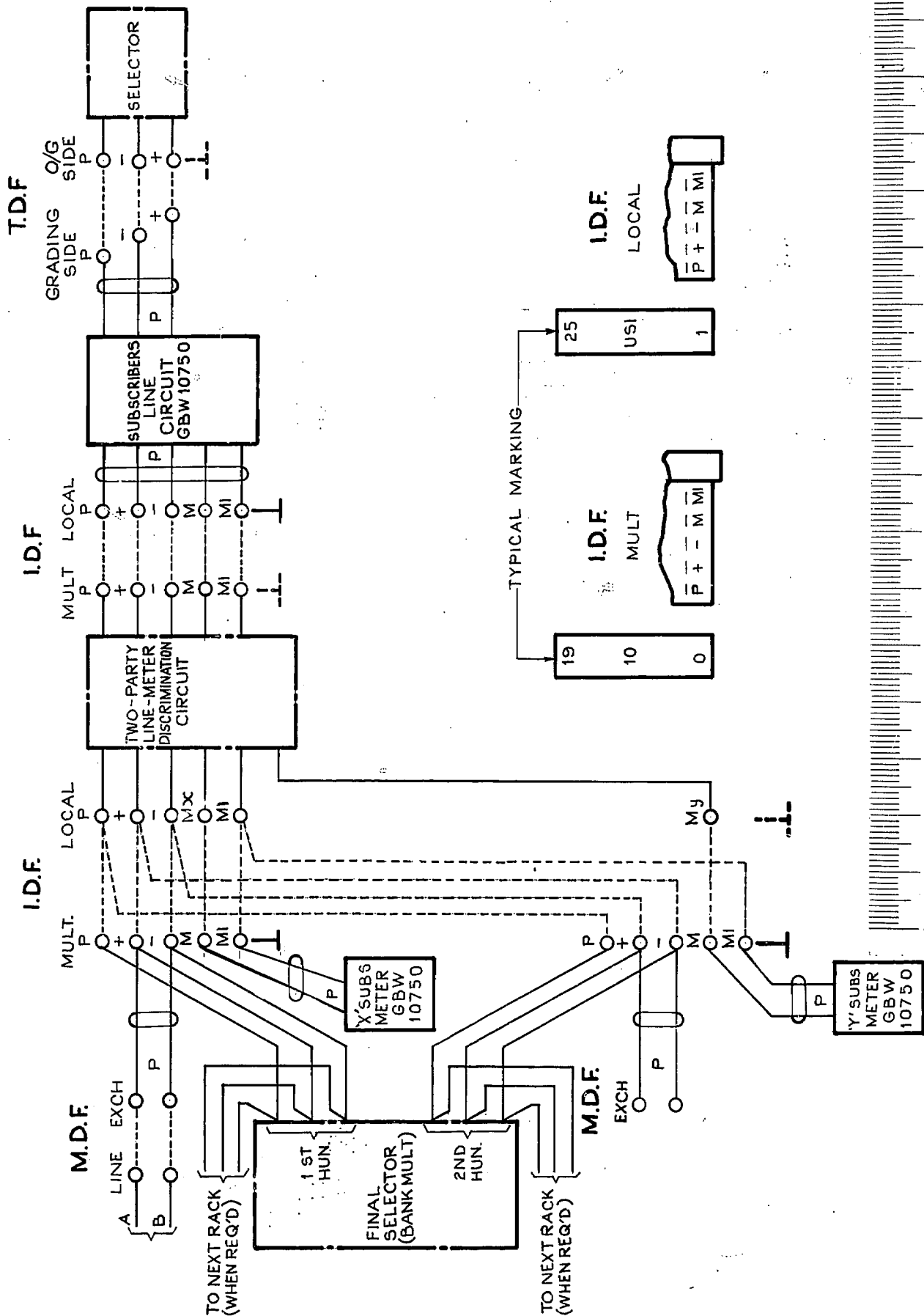
SHT 4-10

**FIG. 5**  
**TWO PARTY-LINES**  
 (WITH CENTRALISED IDF)  
 WITHOUT METERS OR DISCRIMINATION CIRCUITS.



|                                 |  |          |         |          |   |                          |    |
|---------------------------------|--|----------|---------|----------|---|--------------------------|----|
|                                 |  |          |         |          | <b>SUBSCRIBERS<br/>LINE CIRCUIT<br/>POSITIVE BATTERY METERING</b> |                          |    |
| SHTS 9 & 10 ADDED.              |  | (63705)  | 5B      | 5.3.81   | DH.   |                          |    |
| RETRACED FROM ISS. 5 OF 20-5-55 |  | (183024) | 5A      | 22-11-79 |   |                          |    |
|                                 |  | (34703)  | 5       | 20-5-55  |   |                          |    |
| AMENDMENT PARTICULARS           |  |          | ISSUE   | DATE     | APD.  | SIZE                     | A4 |
|                                 |  |          |         |          |   |                          | E  |
| N.Z.P.O                         |  | DRAWN    | CHECKED | WIRING   | ENGRS.  | GBX 10750 10752<br>10751 |    |
|                                 |  | E.U.     |         |          |   | SHT. 5-10                |    |

**FIG. 6**  
**TWO-PARTY LINES**  
 (WITH CENTRALISED IDF)  
 WITH METERS AND DISCRIMINATION CIRCUITS.

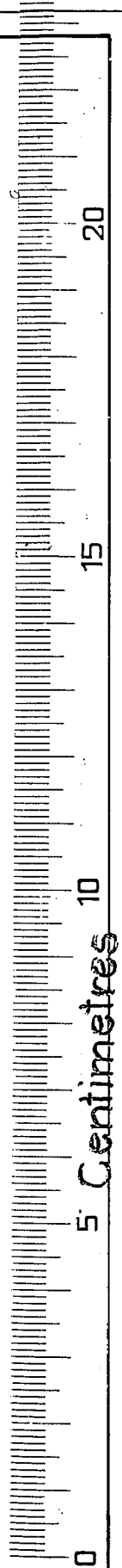
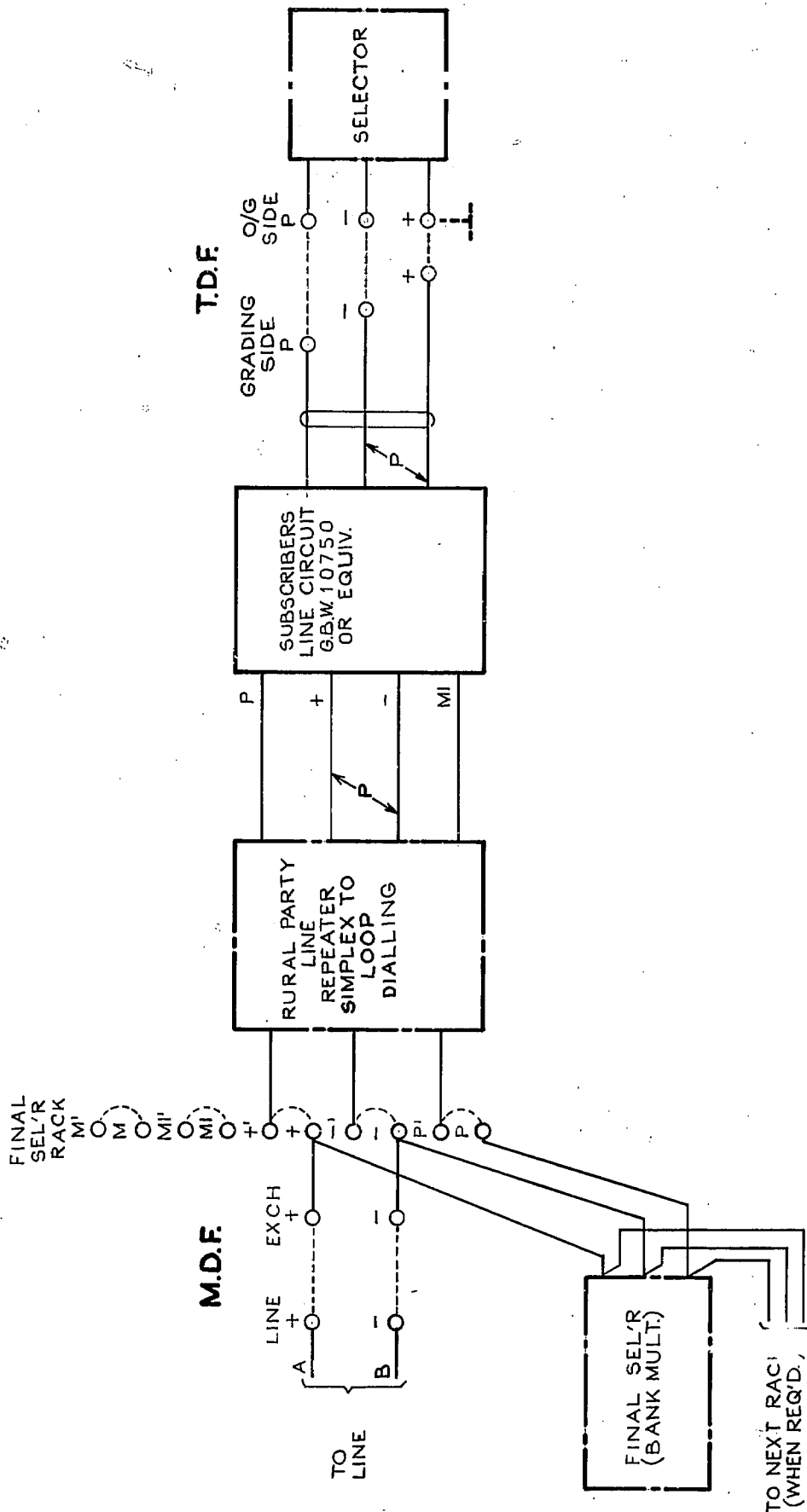


|   |          |    |          |     |
|---|----------|----|----------|-----|
| SHTS 9 & 10 ADDED                       | (63705)  | 5B | 5.3.81   | DH. |
| RETRACED FROM ISS. 5 OF 20.5.55         | (183024) | 5A | 22.11.79 |     |
| WAS SHT. 5-7                            | (34703)  | 5  | 20.5.55  |     |
| NO CHANGE. ISS. ONLY ADVANCED           | (31668)  | 4  | 4.5.54   |     |
| 1ST. & 2ND HUNDREDS INDICATED           |          | 3  | 19.1.53  |     |
| GBX 10752 ADDED TO DGM. N° WAS SHT. 5-5 |          | 2  | 29.12.50 |     |
|   |          | 1  | 7.6.50   |     |

**SUBSCRIBERS  
 LINE CIRCUIT  
 POSITIVE BATTERY METERING**

|                       |  |       |         |        |        |                          |      |    |   |
|-----------------------|--|-------|---------|--------|--------|--------------------------|------|----|---|
| AMENDMENT PARTICULARS |  |       |         | ISSUE  | DATE   | APD.                     | SIZE | A4 | E |
| N.Z.P.O               |  | DRAWN | CHECKED | WIRING | ENGRS. | GBX 10750 10752<br>10751 |      |    |   |
|                       |  |       |         |        |        | SHT 6-10                 |      |    |   |

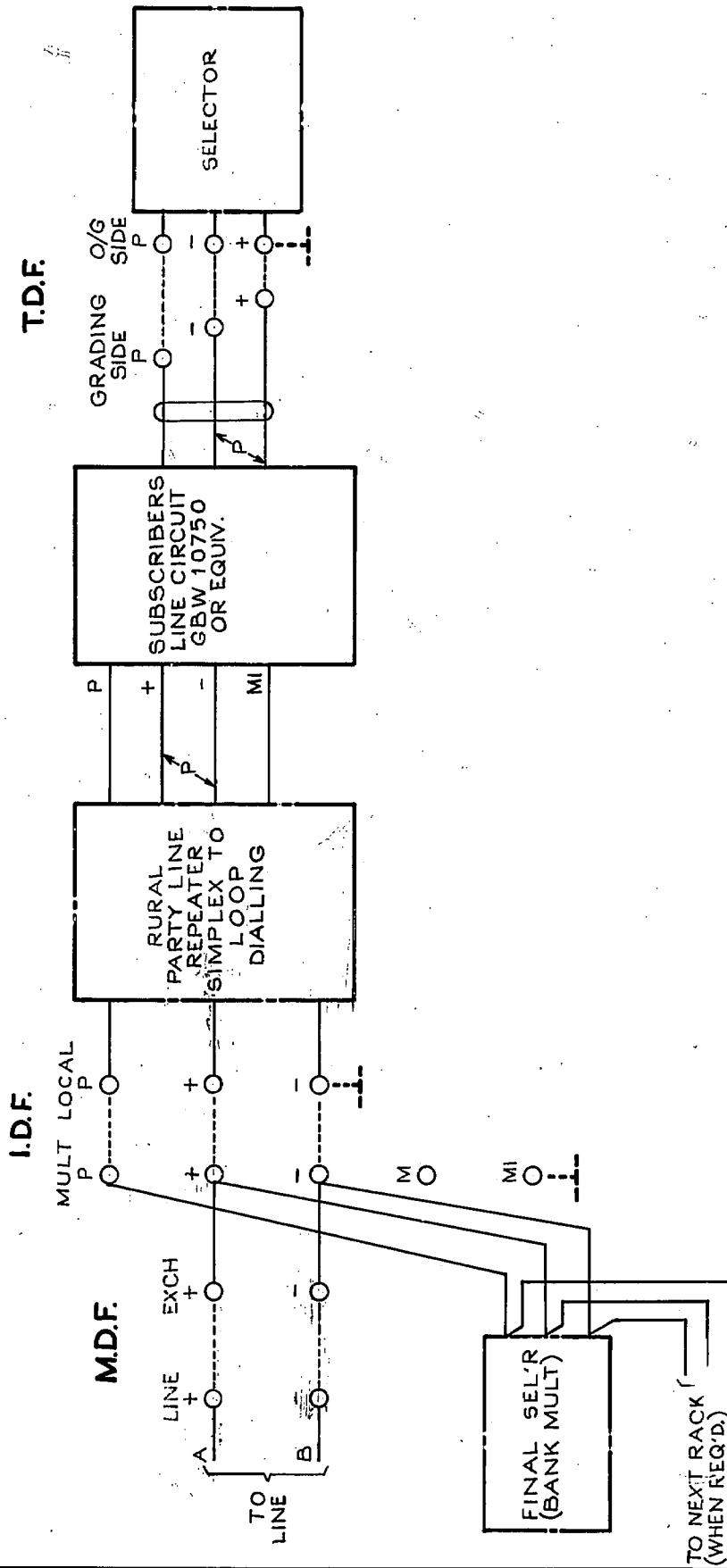
**FIG. 7**  
**RURAL PARTY LINES**  
 (WITH I.D.F. FACILITIES ON FINAL SEL'R BACK.)



|                                 |  |            |         |          |        |
|---------------------------------|--|------------|---------|----------|--------|
| SHTS 9 & 10 ADDED.              |  | (63705)    | 5B      | 5.3.81   | D.H.   |
| RETRACED FROM ISS. 5 OF 20.5.55 |  | (183024)   | 5A      | 22.11.79 |        |
| WAS FIG. 6 SHEET 6-7            |  | (34703)    | 5       | 20.5.55  |        |
| NO CHANGE ISS. ONLY ADVANCED    |  | (31668)    | 4       | 4.5.55   |        |
| NO CHANGE ISS. ONLY ADVANCED    |  |            | 3       | 19.1.53  |        |
|                                 |  |            | 2       | 29.12.50 |        |
| AMENDMENT PARTICULARS           |  |            | ISSUE   | DATE     | APD.   |
| N.Z.P.O.                        |  | DRAWN E.U. | CHECKED | WIRING   | ENGRS. |

|   |  |  |                          |    |   |
|---|--|--|--------------------------|----|---|
| <b>SUBSCRIBERS<br/>LINE CIRCUIT<br/>POSITIVE BATTERY METERING</b> |  |  | SIZE                     | A4 | E |
|   |  |  | GBX 10750 10752<br>10751 |    |   |
| SHT. 7-10   |  |  |                          |    |   |

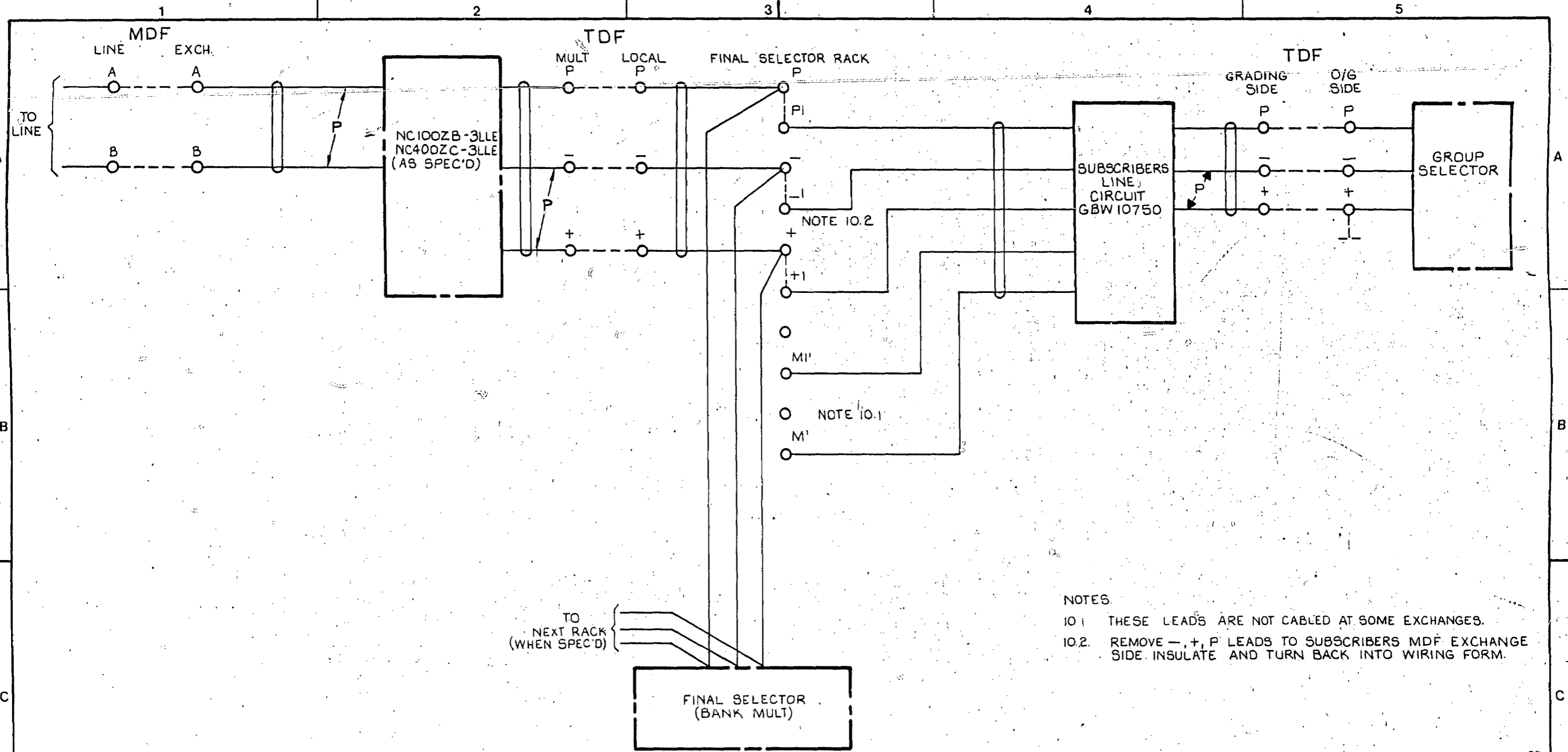
**FIG. 8**  
**RURAL PARTY LINES.**  
 (WITH CENTRALISED I.D.F.)



|                                 |          |               |                   |        |   |                      |
|---------------------------------|----------|---------------|-------------------|--------|---|----------------------|
| SHTS 9 & 10 ADDED.              | (63705)  | 5B            | 5.3.81            | D.H.   | <b>SUBSCRIBERS<br/>LINE CIRCUIT<br/>POSITIVE BATTERY METERING</b> |                      |
| RETRACED FROM ISS. 5 OF 20-5-55 | (183024) | 5A            | 22-11-79          |        |   |                      |
| WAS FIG. 7 SHT. 7-7             | (34703)  | 5             | 20-5-55           |        |   |                      |
| NO CHANGE ISS. ONLY ADVANCED    | (31668)  | 4             | 4-5-54            |        |   |                      |
| NO CHANGE ISS. ONLY ADVANCED    |          | 3             | 19-1-53           |        |   |                      |
|                                 |          | 2             | 29-12-50          |        |   |                      |
| AMENDMENT PARTICULARS           |          | ISSUE         | DATE              | APD.   | SIZE <b>A4</b>  | E                    |
|                                 |          |               |                   |        | <b>GBX</b>  | 10750 10752<br>10751 |
| N.Z.P.O                         |          | DRAWN<br>E.U. | CHECKED<br>WIRING | ENGRS. | SHT. 8-10   |                      |







NOTES.  
 10.1 THESE LEADS ARE NOT CABLED AT SOME EXCHANGES.  
 10.2 REMOVE -, +, P LEADS TO SUBSCRIBERS MDF EXCHANGE SIDE. INSULATE AND TURN BACK INTO WIRING FORM.

FIG. 10 REGULAR SUBSCRIBER WITH NEC, LLE

|                               |  |         |         |                           |       |     |  |
|-------------------------------|--|---------|---------|---------------------------|-------|-----|--|
|                               |  |         |         | SUBSCRIBERS               |       |     |  |
|                               |  |         |         | LINE CIRCUIT              |       |     |  |
|                               |  |         |         | POSITIVE BATTERY METERING |       |     |  |
|                               |  |         |         | E                         |       |     |  |
|                               |  |         |         | GBX 10750, 10751          |       |     |  |
|                               |  |         |         | 10752 SHEET 10-10         |       |     |  |
| E NEW SHTS ADDED              |  | (63705) | 6       | 6.3.81                    | RH.   |     |  |
| WAS FIG 7 SHT 77              |  | (34703) | 5       | 20.5.55                   |       |     |  |
| NO CHANGE ISSUE ONLY ADVANCED |  | (31668) | 4       | 4.5.54                    |       |     |  |
| NO CHANGE ISSUE ONLY ADVANCED |  |         | 3       | 19.1.53                   |       |     |  |
|                               |  |         | 2       | 29.12.50                  |       |     |  |
| AMENDMENT PARTICULARS         |  |         |         | ISS.                      | DATE  | APD |  |
| N.Z.P.O.                      |  | DRAWN   | CHECKED | WIRING                    | ENGRS |     |  |

UD 235