

FIG. A NOT TO BE USED FOR NEW WORK

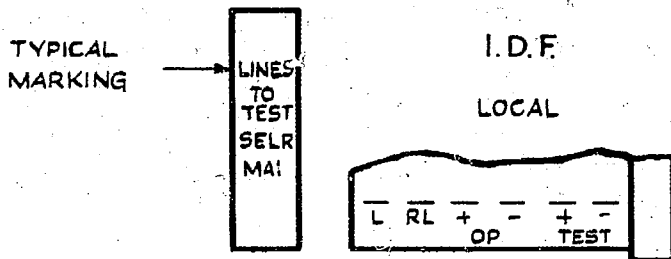
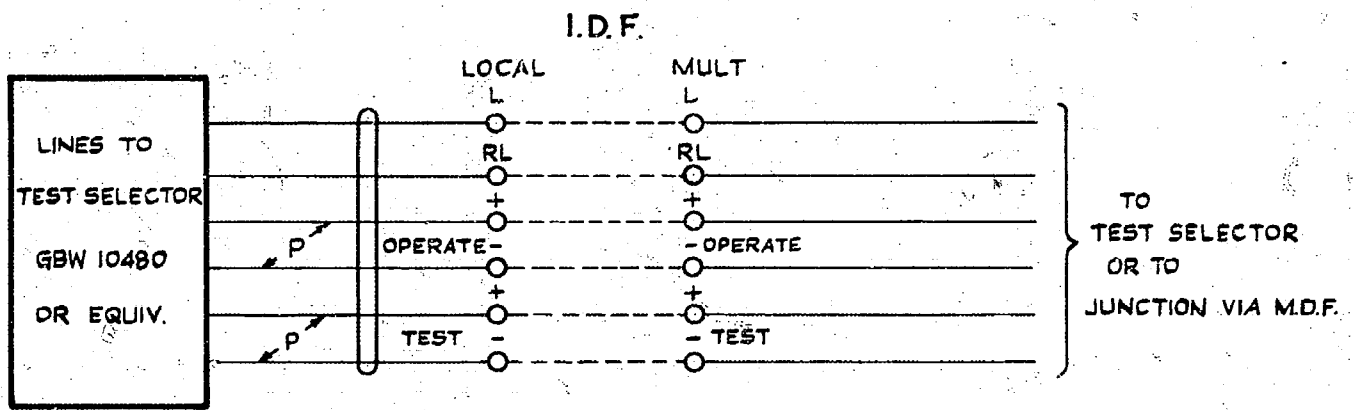
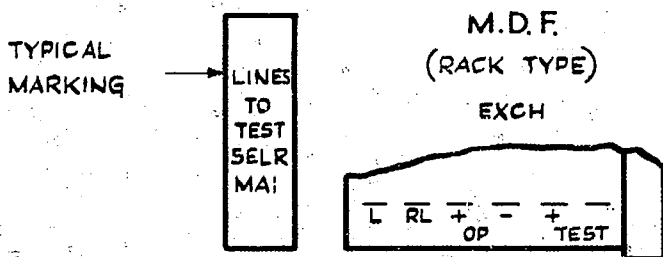
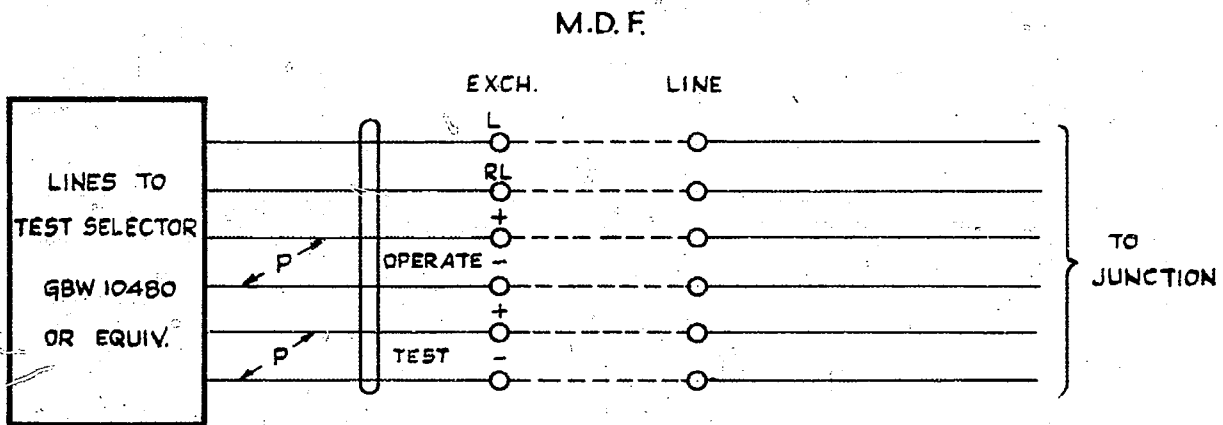


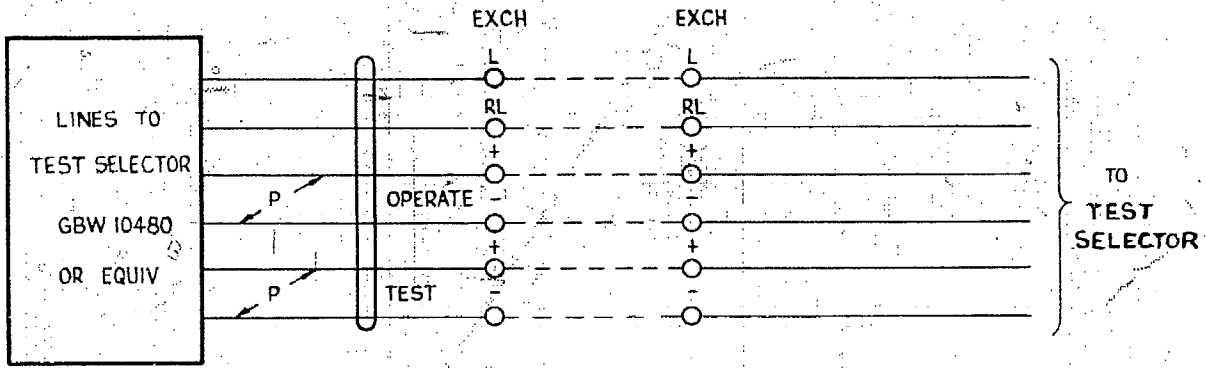
FIG. B



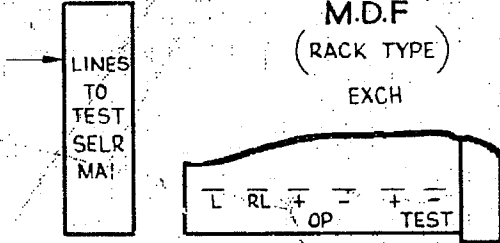
				TEST RACK	
				LINES TO TEST SELECTOR	
10481 ADDED TO DGM. NUMBER. MADE SHEET 1-2 (82GG1)		2	26.6.64	DBH	
(43023)		1	21.8.61	KAB	
AMENDMENT PARTICULARS		ISSUE	DATE	APPD.	
N.Z.P.O.		DRAWN	CHECKED	WIRING	CIRCUIT
				GBX 10480 10481	
				SHEET 1-2	

FIG. C

M.D.F



TYPICAL MARKING



					TEST RACK	
					LINES TO TEST SELECTOR	
			(82661)	2	26-6-64	OBK
AMENDMENT PARTICULARS			ISSUE	DATE	APP ^d	E
NZPO		DRAWN	CHECKED	WIRING	CIRCUIT	GBX 10480 10481
						SHEET 2-2