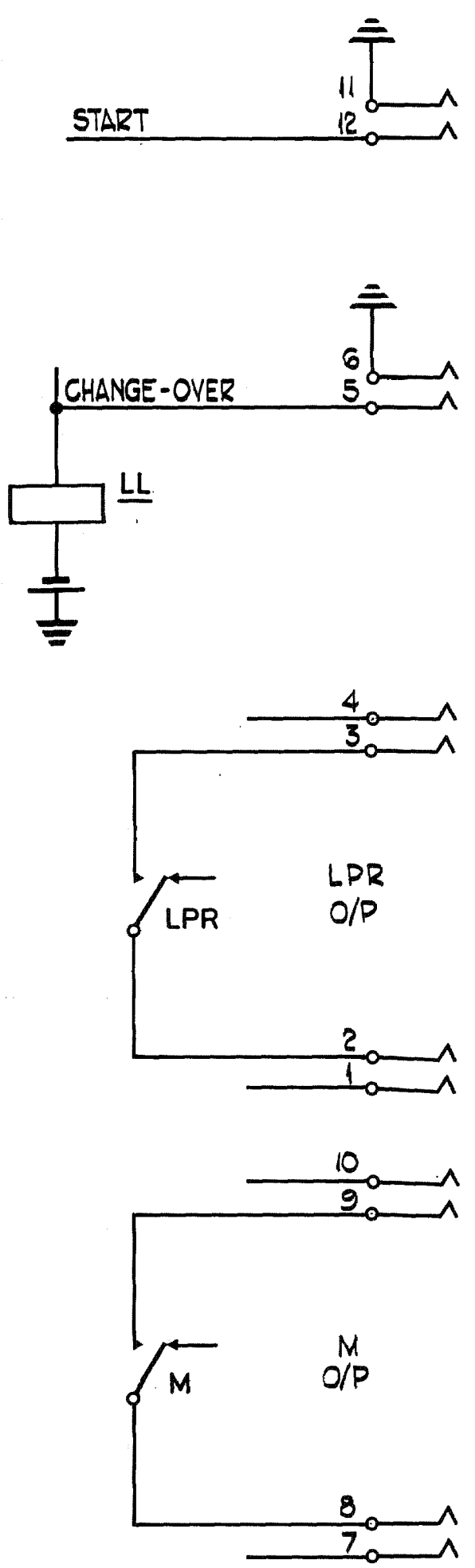
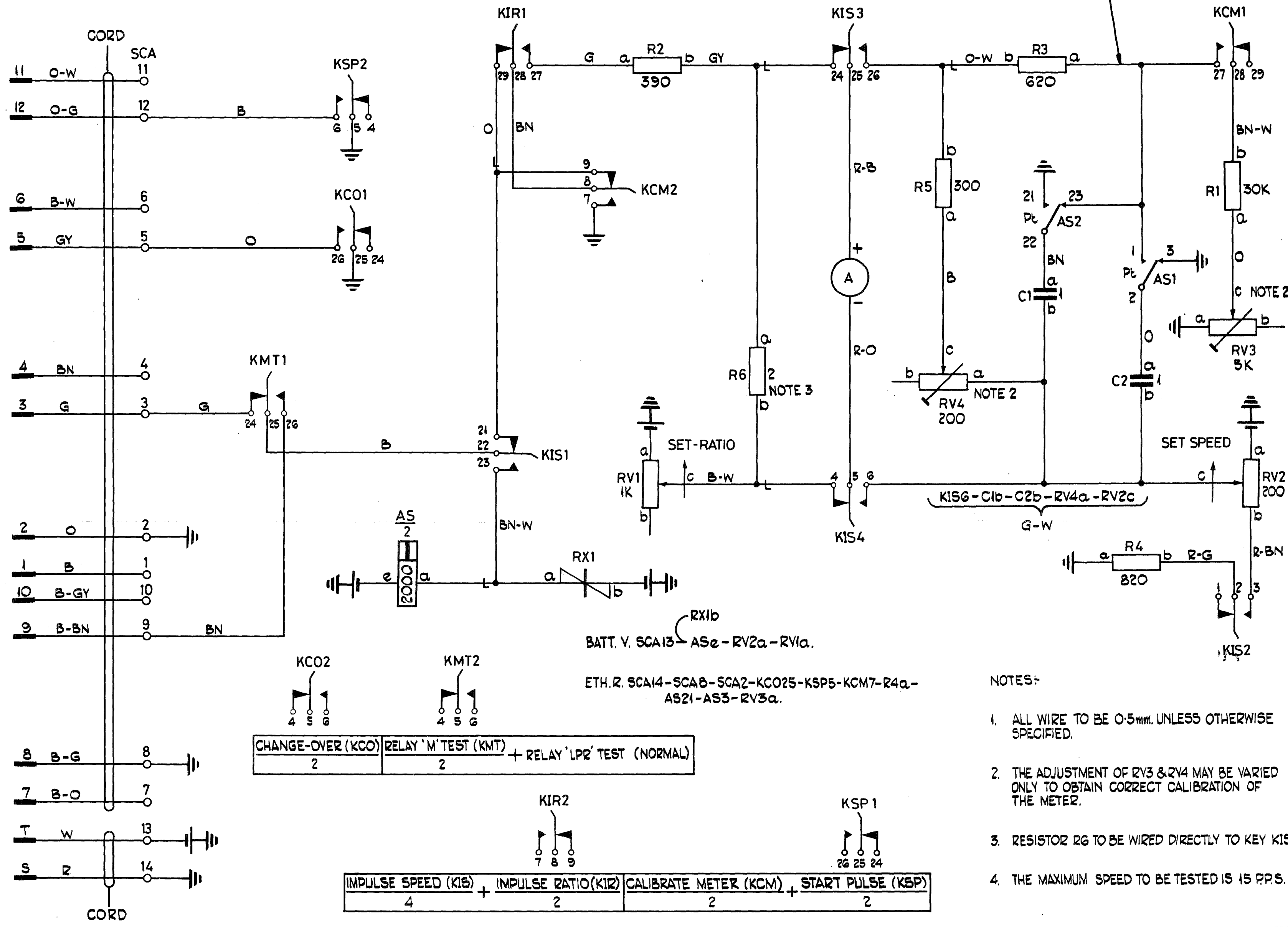


GBW 20260



EXPLANATORY ONLY



- NOTES:-
1. ALL WIRE TO BE 0.5mm. UNLESS OTHERWISE SPECIFIED.
 2. THE ADJUSTMENT OF RV3 & RV4 MAY BE VARIED ONLY TO OBTAIN CORRECT CALIBRATION OF THE METER.
 3. RESISTOR R6 TO BE WIRED DIRECTLY TO KEY KIS.
 4. THE MAXIMUM SPEED TO BE TESTED IS 15 P.P.S.

A2	DRN	MP	APPROVED	ENC. <i>[Signature]</i>	MATERIAL	FINISH	REF :-	50V	C
	TR								
A3	CHK	S.T.	APPROVED	DEF. <i>[Signature]</i>	TITLE	TESTER	FOR MEASURING PULSE, SPEED & RATIO (NOTE 4)	SIZE	M
	ENG	BC							
NZPO		AMENDMENT		(43399)	1	9-3-77	RED	GBW20260	