

| ALLOCATION OF TAGS ON RACK MISC. STRIP CONN. |   |        |                                |
|--|---|--------|--------------------------------|
| TAG NO                                       | SERVICE                                     | TAG NO | SERVICE                        |
| 1  | ALARM LAMP                                  | 11     | } FUSE ALARM<br>LP<br>FB<br>FA |
| 2  |   | 12     |                                |
| 3  |   | 13     |                                |
| 4  |   | 14     |                                |
| 5  | } DELAYED ALARM<br>(3 MIN.)<br>S<br>Z<br>ST | 15     | 1 SEC. EARTH                   |
| 6  |   | 16     |                                |
| 7  |   | 17     |                                |
| 8  | DEFERRED ALARM                              | 18     | ALARM BELL                     |
| 9  |   | 19     |                                |
| 10   |   | 20     |                                |
| 21   | METER PULSE 'S'                             | 31     | METER PULSE 'UNIT'             |
| 22   |   | 32     |                                |
| 23   |   | 33     |                                |
| 24   |   | 34     |                                |
| 25   |   | 35     |                                |
| 26   |   | 36     |                                |
| 27   |   | 37     |                                |
| 28   |   | 38     |                                |
| 29   |   | 39     |                                |
| 30   |   | 40     |                                |
|  |   |        | FLICKER EARTH<br>NZ NOTE A     |

NOTES:-

1. ALL TAGS ARE ON RACK MISC. STRIP CONN. UNLESS OTHERWISE SPECIFIED.
2. ALL WIRE BEARING A COLOUR CODE TO BE 0.7mm UNLESS OTHERWISE SPECIFIED. LOCAL PLATE WIRING TO BE 0.5mm.

NZ NOTE

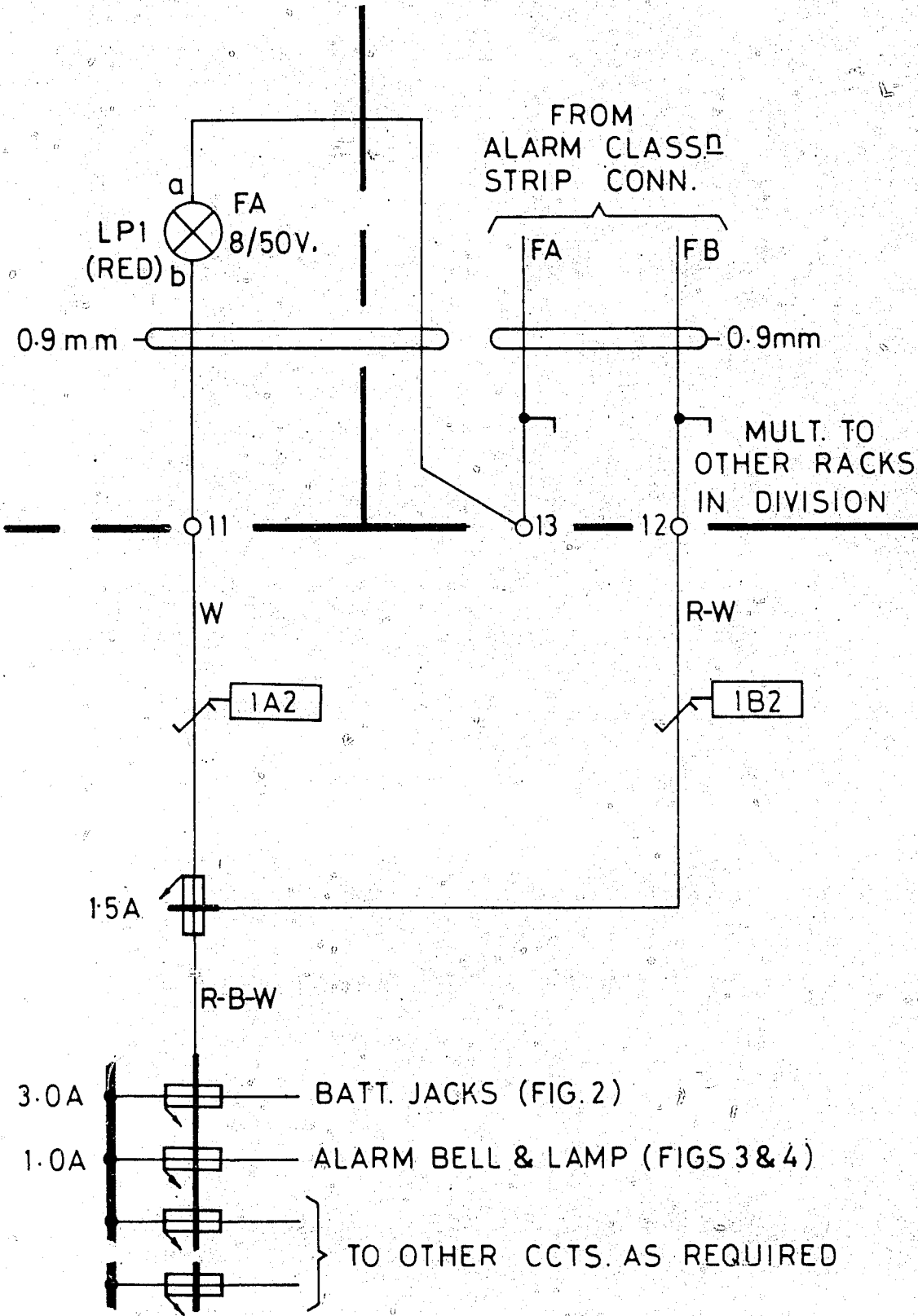
A. WHEN GBW 16590 IS EQUIPPED IN AN EXCHANGE PROVIDED WITH GBW 10900 INTERRUPTED EARTH MAY BE PROVIDED IF FLICKER EARTH SUPPLY IS NOT AVAILABLE.

|                          |                 |                 |   |   |                             |  |       |
|--------------------------|-----------------|-----------------|---|---|-----------------------------|--|-------|
| A2                       | DRN. ARH.       | WRG. <i>Ab</i>  | TOLERANCES UNLESS OTHERWISE STATED<br>ALL DIMENSIONS ARE IN INCHES<br>DIMENSIONS ARE BEFORE FINISHING<br>SYMBOLS TO BSS 308 | MATERIAL                                  | FINISH                      | REF.:-   | 50V G |
|                          | CKD. WEC        | CCT. <i>lgn</i> |   |   |                             |  |       |
| A3                       | NZ NOTE A ADDED |                 | FRAC DIMS<br>DEC DIMS<br>ANGLES<br>SQ TOE   | SER TOE<br>EART TOE<br>PAR TOE<br>COR TOE | WIDE<br>WIDE<br>WIDE<br>DIA | TITLE RACK COMMON SERVICES<br>AUTO ROUTINERS 2'9" RACKS<br>2000 TYPE |       |
| AMENDMENT                |                 |                 | (193699) 1A 6.8.80 RED<br>(22986) 2.9.74 05H  | ISS                                       |                             | APPD   | NZPO  |
| 0 5 Centimetres 10 15 20 |                 |                 | SIZE A2   |   | GBW 20250 SHT. 1-3          |  |       |

# GBW 20250 SHT.2

### FIG. 1C

1 PER RACK

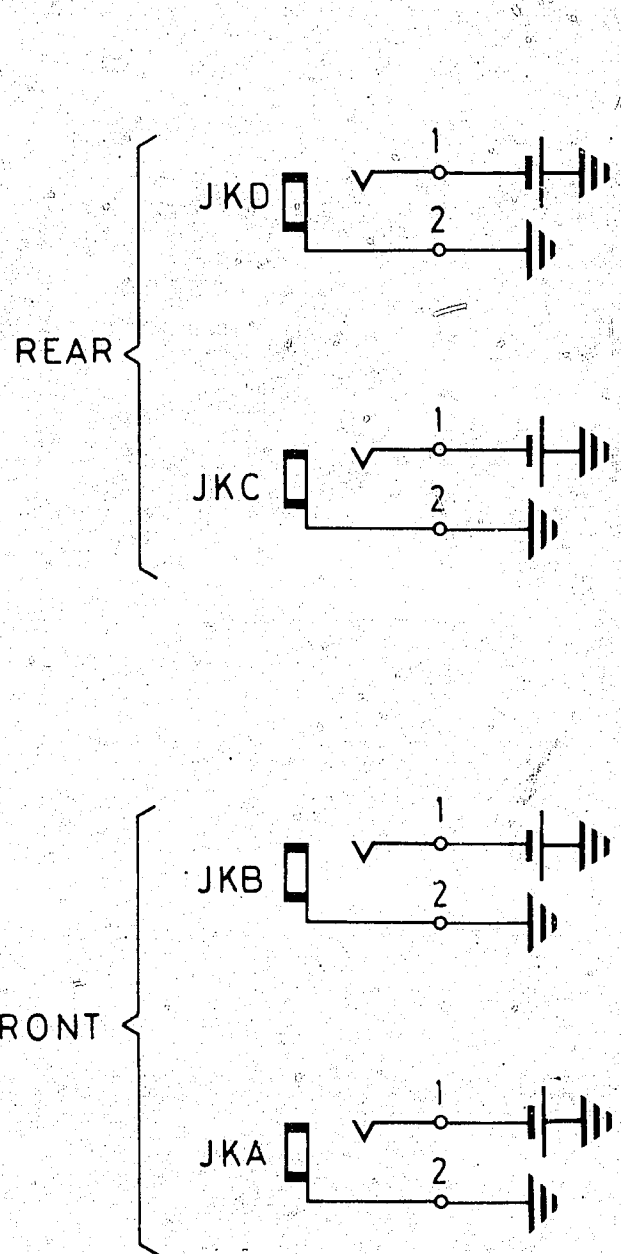


### FIG. 1A

FUSE ALARM

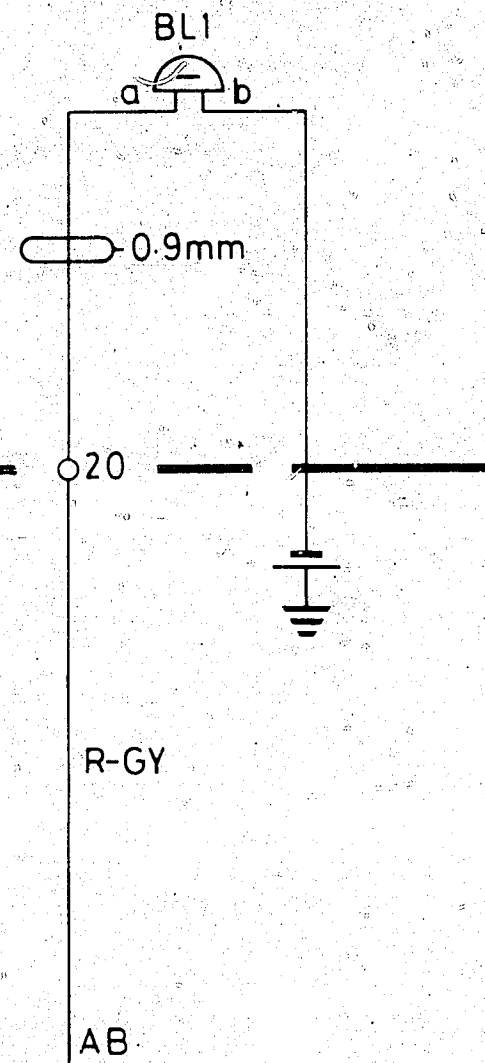
### FIG. 2

BATTERY JACKS  
1 PER RACK



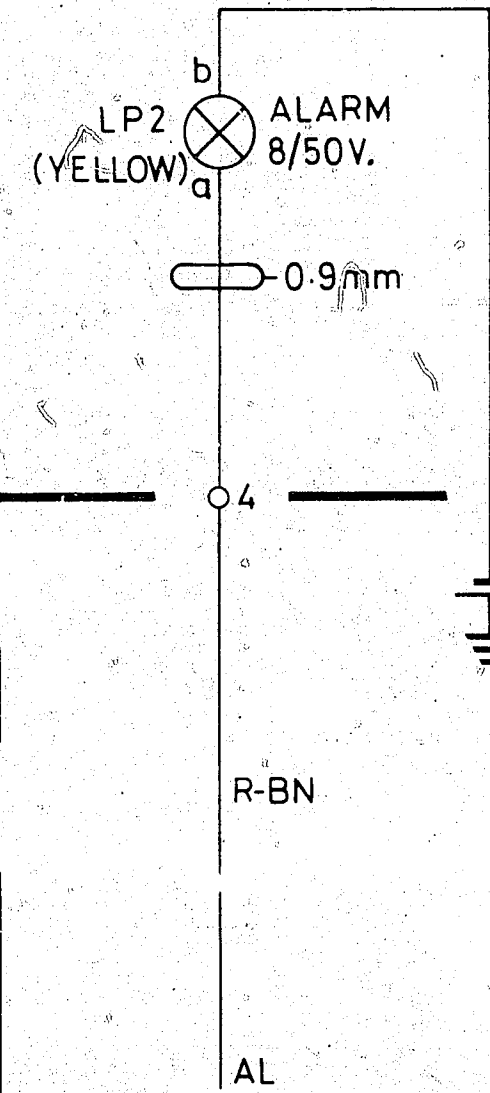
### FIG. 3A

ALARM BELL  
1 PER RACK



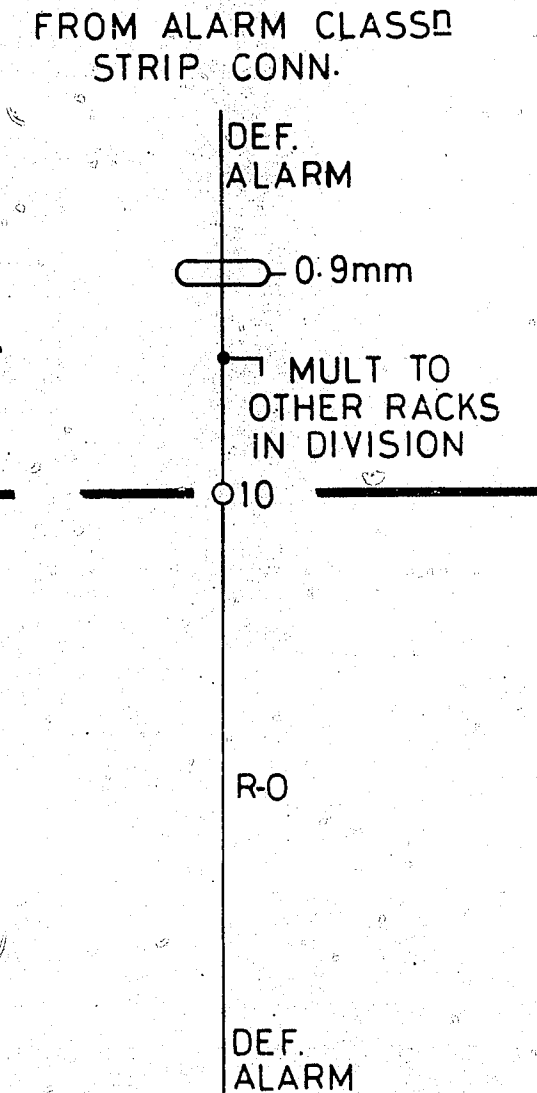
### FIG. 4A

ALARM LAMP  
1 PER RACK



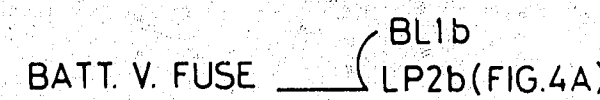
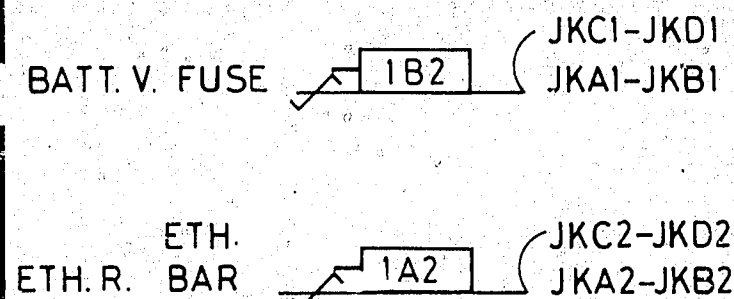
### FIG. 5A

DEFERRED ALARM



### FIG. 1B

1 PER RACK



### FIG. 3B

1 PER RACK

### FIG. 4B

1 PER RACK

### FIG. 5B

1 PER RACK

A2 DRN. ARH. WRG. *pb*  
 CKD. WEC CCT. *SA*  
 A3

NO CHANGE SHT. 123 AMP

(122699)

1A 6.8.80 RED

(122986)

2.9.74 55H

TOLERANCES UNLESS OTHERWISE STATED  
 ALL DIMENSIONS ARE IN INCHES  
 DIMENSIONS ARE BEFORE FINISHING  
 SYMBOLS TO BSS 308

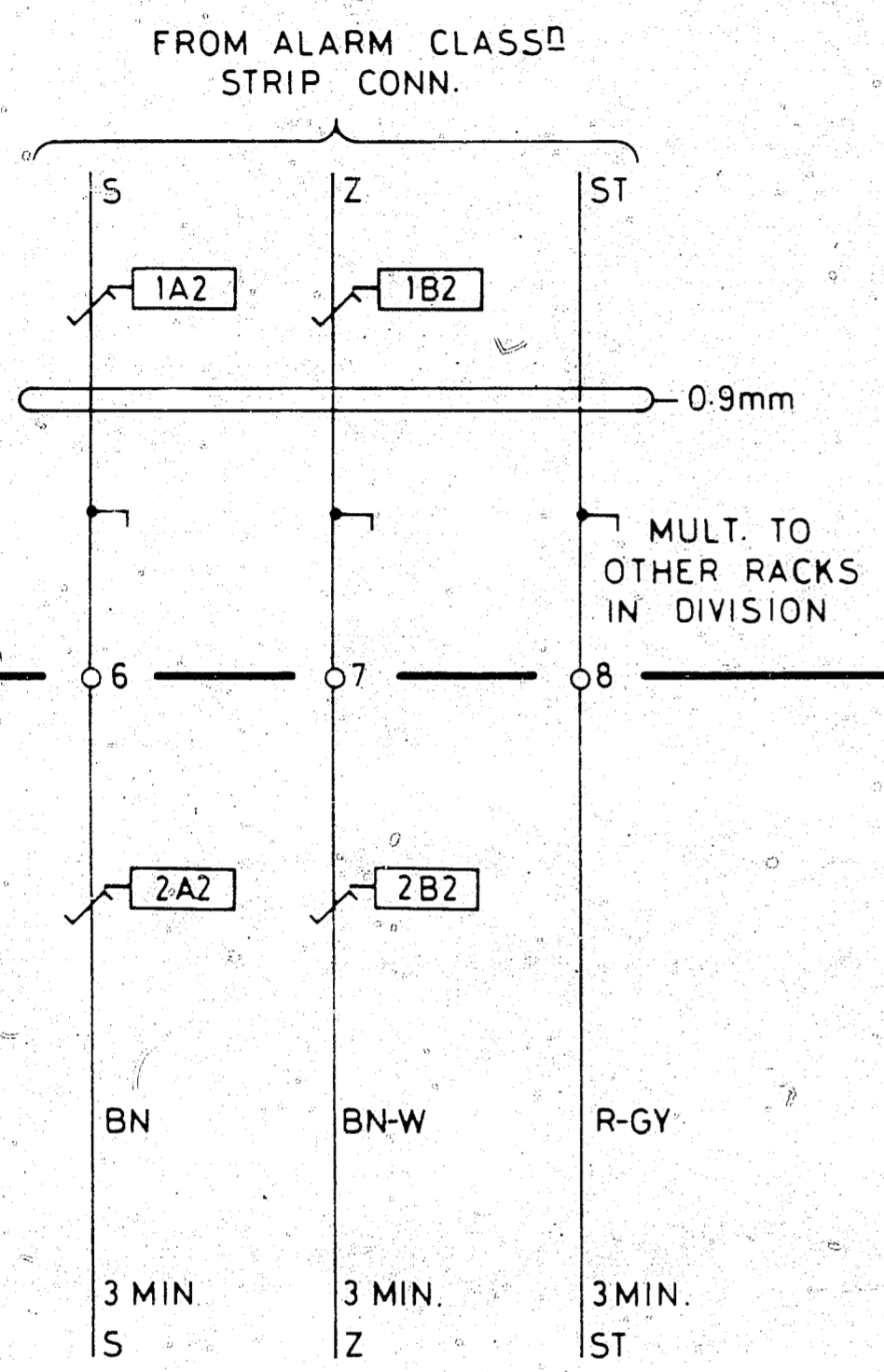
|  |          |      |
|--|----------|------|
| FRA. DIMS                                      | STR. TOL | WIDE |
| DEC DIMS                                       | FLAT TOL | WIDE |
| ANGLES   | PAR TOL  | WIDE |
| SQ TOL   | CONC TOL | DIA  |
| HOLE DIA                                       | FIN. TOL | USA  |
| SYMMETRY TOLERANCE OF THE DIMENSION            |          |      |
| SYMMETRIC ABOUT $\phi$ IS EQUAL TO $\pm$ VALUE |          |      |

|          |                           |
|----------|---------------------------|
| MATERIAL | FINISH                    |
| TITLE    | RACK COMMON SERVICES      |
|          | AUTO ROUTINERS 2'9" RACKS |
|          | 2000 TYPE                 |

|       |       |
|-------|-------|
| REF.: | 50V C |
|-------|-------|

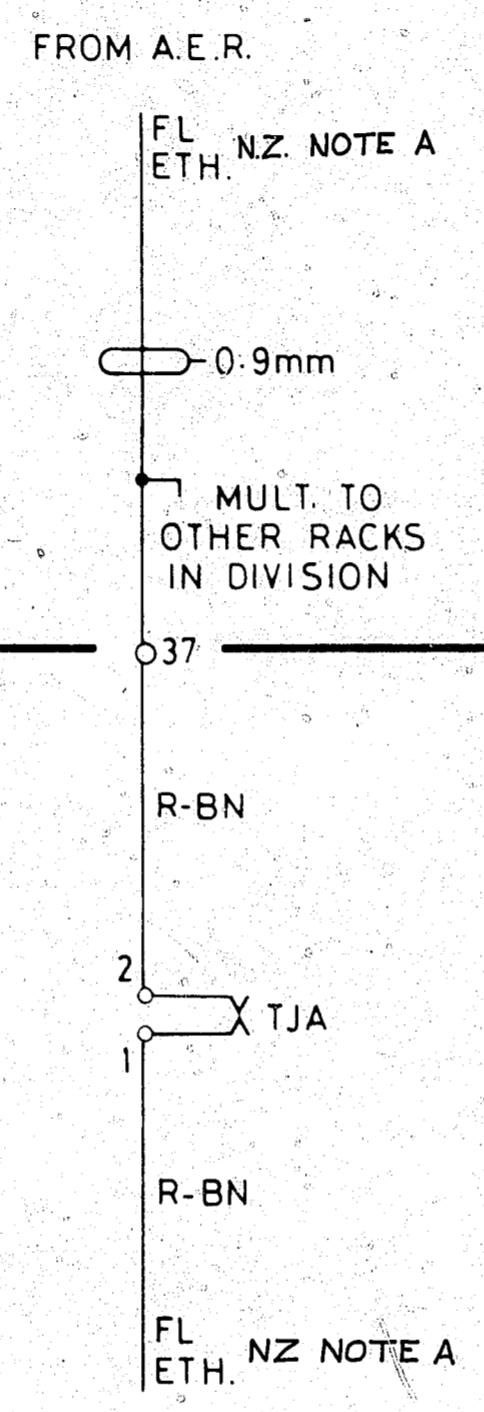
**GBW 20250 SHT.3**

**FIG. 6A**  
 DELAYED ALARM  
 (PERIOD OF DELAY 3 MINS.)



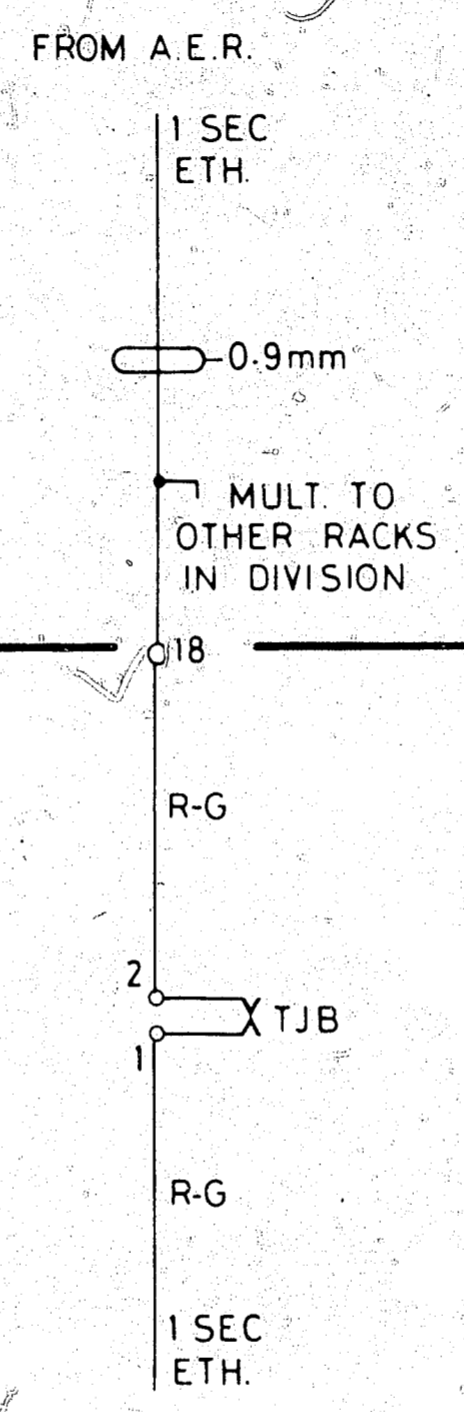
**FIG. 6B**  
 1 PER RACK

**FIG. 7A**  
 FLICKER EARTH  
 NZ NOTE A.



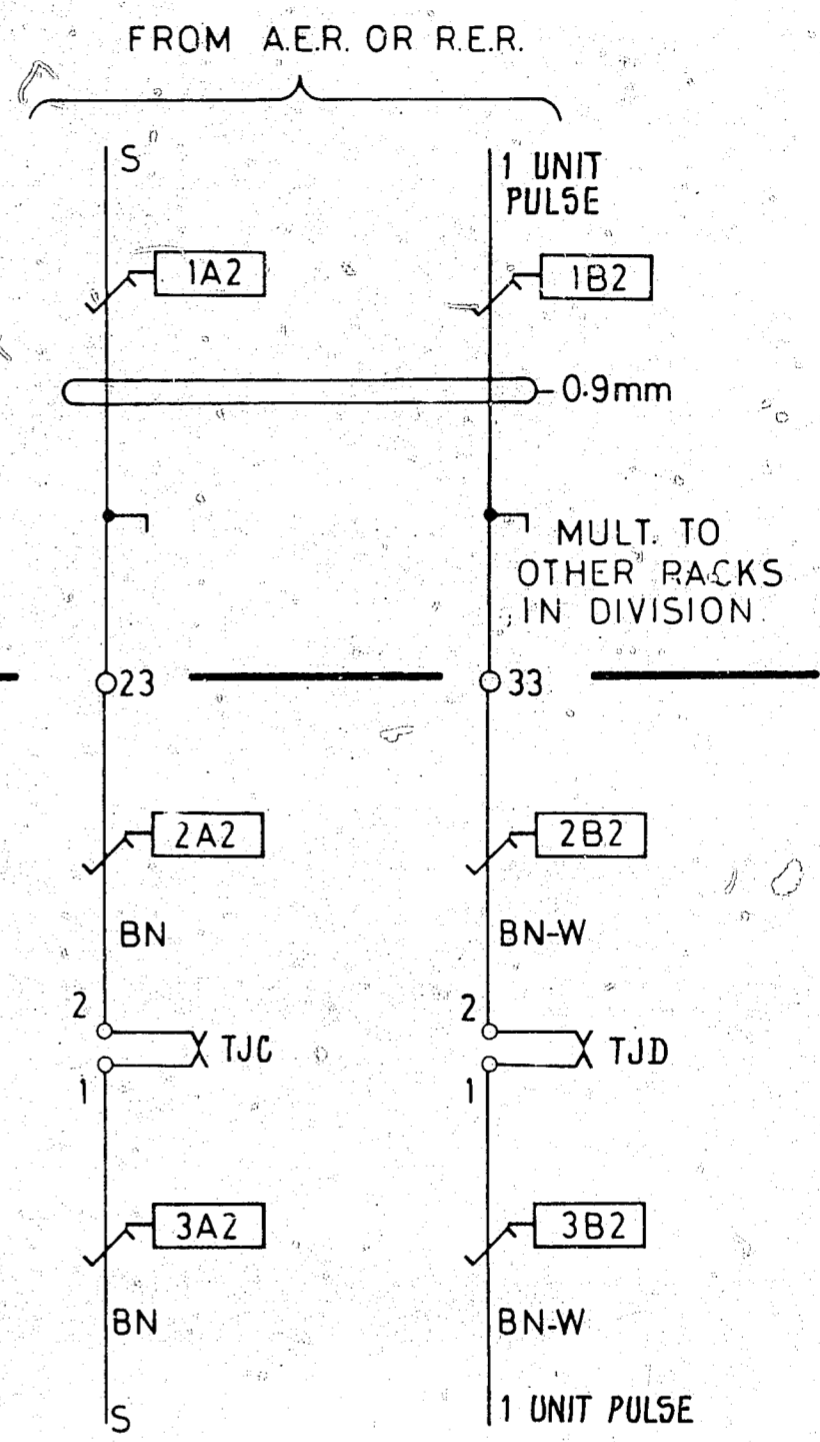
**FIG. 7B**  
 1 PER RACK

**FIG. 8A**  
 1 SEC. EARTH



**FIG. 8B**  
 1 PER RACK

**FIG. 9A**  
 METER PULSE DISTRIBUTION



**FIG. 9B**  
 1 PER RACK

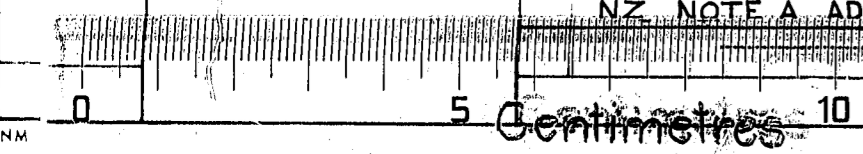
A2 DRN. ARH. WRG. *Bb*  
 CKD. WEC CCT. *Rh*  
 A3

NZ NOTE A ADDED

(193699) IA 6.9.80 PEB  
 (122986) 2.5.74 BSH

|   |          |      |
|---|----------|------|
| TOLERANCES UNLESS OTHERWISE STATED<br>ALL DIMENSIONS ARE IN INCHES<br>DIMENSIONS ARE BEFORE FINISHING<br>SYMBOLS TO BSS 308 |          |      |
| FRAC DIMS   | STR. TOL | WIDE |
| DEC DIMS  | FLAT TOL | WIDE |
| ANGLES  | PAR TOL  | WIDE |
| SQ TOL  | CONC TOL | DIA  |
| HOLES - DIA   | FORM TOL | DIA  |
| SYMMETRY TOLERANCE OF THE DIMENSION<br>SYMMETRIC ABOUT $\phi$ IS EQUALLY DIVIDED  |          |      |

|  |        |       |
|--|--------|-------|
| MATERIAL   | FINISH | REF.: |
| TITLE RACK COMMON SERVICES<br>AUTO ROUTINERS 2'9" RACKS<br>2000 TYPE |        | 50V C |



AMENDMENT

20

ISS DATE APPD

NZPO

30

35

SIZE A2

40