

FROM SELECTOR LEVELS

NOTE 5

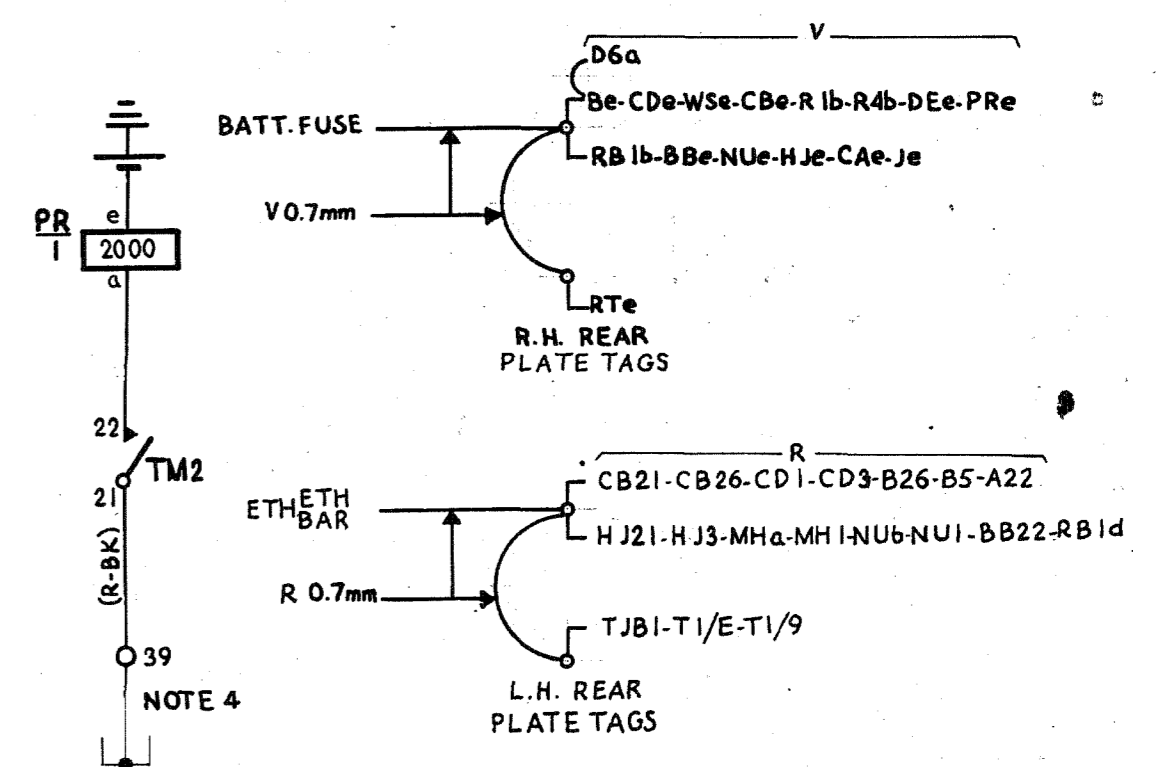
CABLE WITH -I, +I, PI LEADS (WHEN REQ'D)

- NOTES
- FUSE: 1.0A PER CIRCUIT
 - ALL WIRING TO BE 0.5mm UNLESS OTHERWISE SPECIFIED
 - Ø FOR WIRING SEE GBW13730 OR EQIV.
 - UNLESS OTHERWISE SPECIFIED ALL TERMINALS ARE ON STRIP CONN AT REAR AND DESIGNATED SC IN WIRING RUNS
 - TAG 'M' IS CONNECTED TO THE JUNCTION LEVEL GIVING DIRECT ACCESS TO THE PARENT MANUAL EXCHANGE TAG 'M' IS CONNECTED TO THE SUBSCRIBER DIALLED JUNCTION LEVEL.
 - WHEN DIAL TONE SUPPRESSION BY MEANS OF GBW15510 IS PROVIDED USE CABLING SHOWN THUS -3-3- OTHERWISE USE CABLING SHOWN THUS -2-2- IF CIRCUIT IS BOTHWAY WORKING.
 - RELAY 'NU' IS DIFFERENTIALLY CONNECTED.

TO DIAL TONE SUPPRESSION CIRCUIT GBW15510 OR EQUIV DIRECT (WHEN REQ'D)

I.D.F. LOCAL

TO I/C EQUIPT (WHEN B/W) OR EQUIV VIA I.D.F. LOCAL



- 5
 - 6
 - 7
 - 8
 - 9
 - 10
 - 11
 - 12
- TJA
- TJB

A1
A2

DRN	DJT/BN	ENG
TR		MTH
CHK	C/C	DRFT
ENG	24-7-69	DEPT.

B5 CONTACTS DELETED NZMQ1	(176224)	5A	11-4-78
D11, 12 & 13 ADDED, W55 REPOSITIONED.		5	
WIRING MODS 'NU' RELAY & ETH RUN AMENDED.		4	
'NU' REL. TRANSPOSED, 'CA' REL. REVISED, METRIC WIRE SIZES ADDED		3	
RELAYS BB, DA & DE WIRING REV'D RECT. D10 ADDED RELAY COMB ^B AMENDED DD3 RELAY COMB. WAS SPARE	(20830)	2	
AMENDMENT		1	11-11-69

TOLERANCES UNLESS OTHERWISE STATED	MATERIAL	FINISH	REF: GBW16671	50v M
THREE PLACE DEC ³ DIMNS				
TWO PLACE DEC ² DIMNS				
FRACTIONAL DIMENSIONS				
OTHER REQUIREMENTS TO E.S.15.				
N.Z.P.O.				
TITLE U.A.X. N.Z. 13 OUTGOING JUNCTION TERMINAL U.A.X. TO PARENT EXCHANGE				

GBW20100