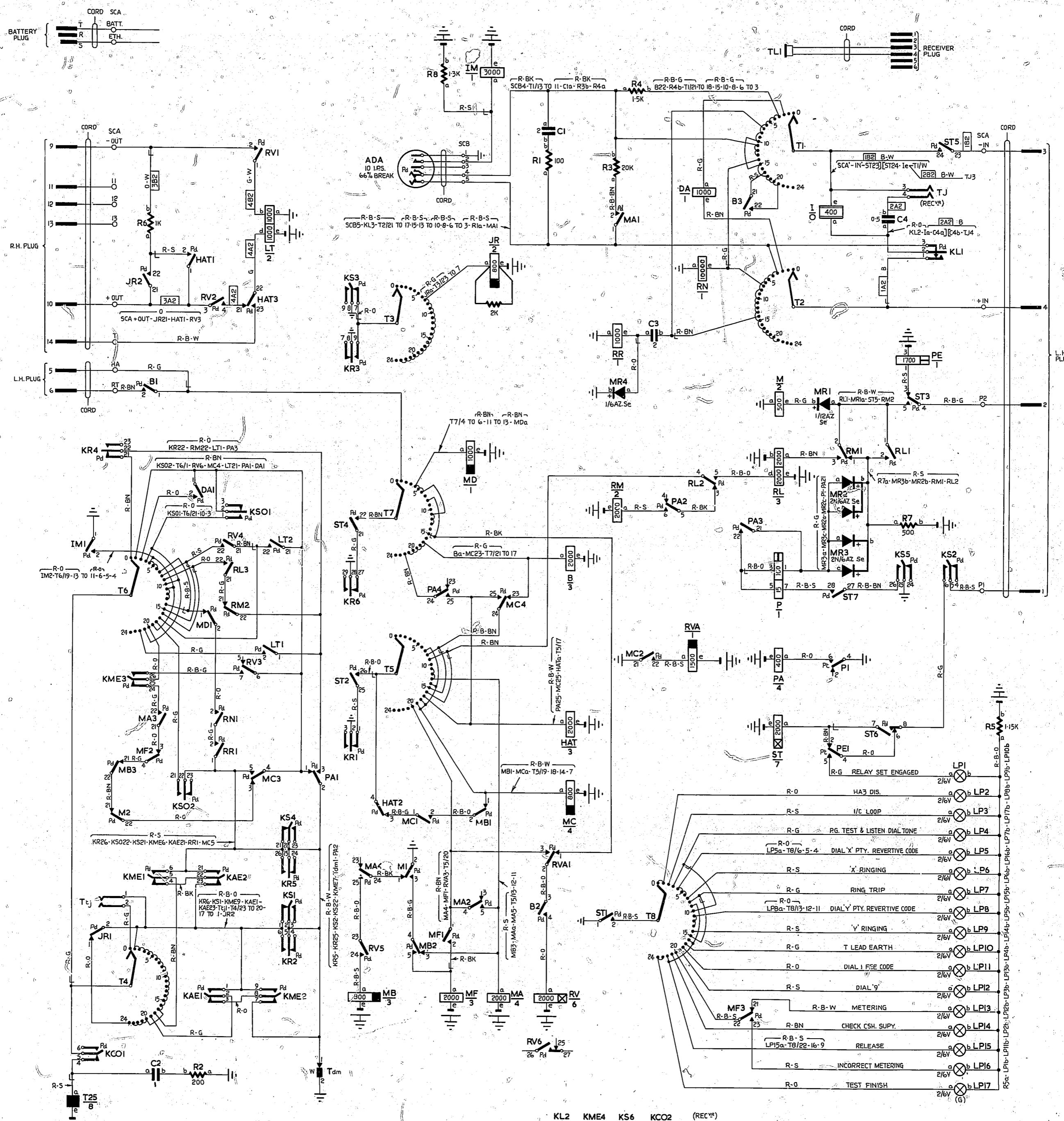


5 Centimeters 10 15 20 25 30 35 40 45 50 55 60



NOTES
 1. ALL WIRING TO BE 25 SWG.
 2. THIS CIRCUIT IS USED FOR TESTING RELAY SET GBW 14530 WITH OR WITHOUT ASSOCIATED MULTI-PEE OR METER CONTROL EQUIPMENT.

BATT. BK. SCA BATT. T
 R7b-R8b-R9a-R9e-MDe-R5b-Ste-RMe-RLb-
 RLc-PE3-MFe-MCe-LTe-HATe-PAe-MAe-M3a-JR2e
 IMe-Be.
 EARTH R. SCA ETH. MR4b-RRa-R2a-ST1-RNa-MC21-M2-Ma-LTa-P4-IM1
 T4m2-KS8-KS25-KR2-KR8-KR28-SCB1

STEP ON (KSO) + CAMP ON (KCO)		2 + 2	
LISTEN (KL)	START (KS)	RESET (KR)	
2	6	6	
METERING ELIMINATE (KME) +		AUX. EQPT. ELIMINATE (KAE)	
4		2	

TESTER FOR AUTO AJUTO RELAY SETS WITH REVERTIVE RINGING SATELLITE EXCHANGES 2000 TYPE. GEO-THERMAL AREAS			
AMENDMENT PARTICULARS	ISSUE DATE	APPRO	REF: GBW12610. SIZE M 50V. E
N.Z.P.O.	DRAWN	CHECKED	WIRING CIRCUIT
			GBW 19480