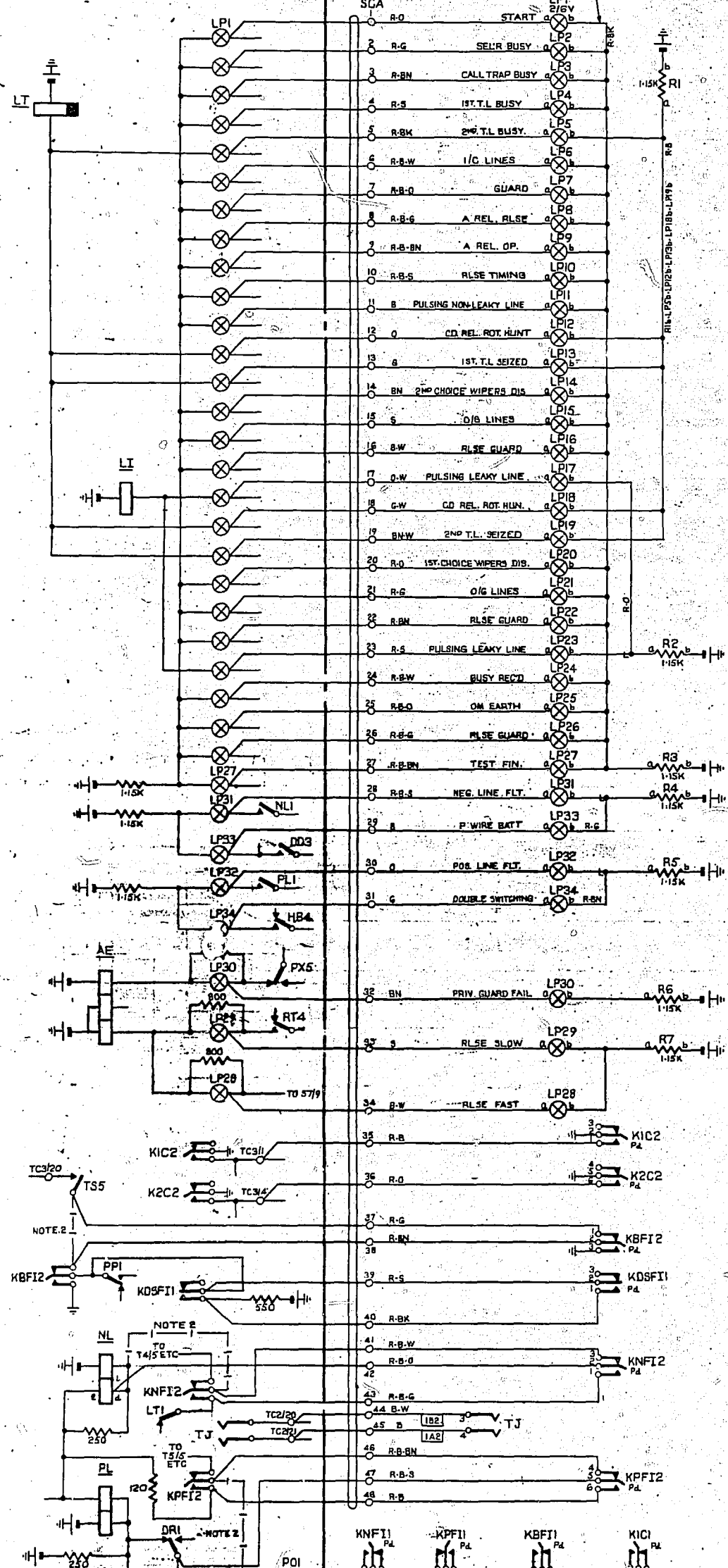
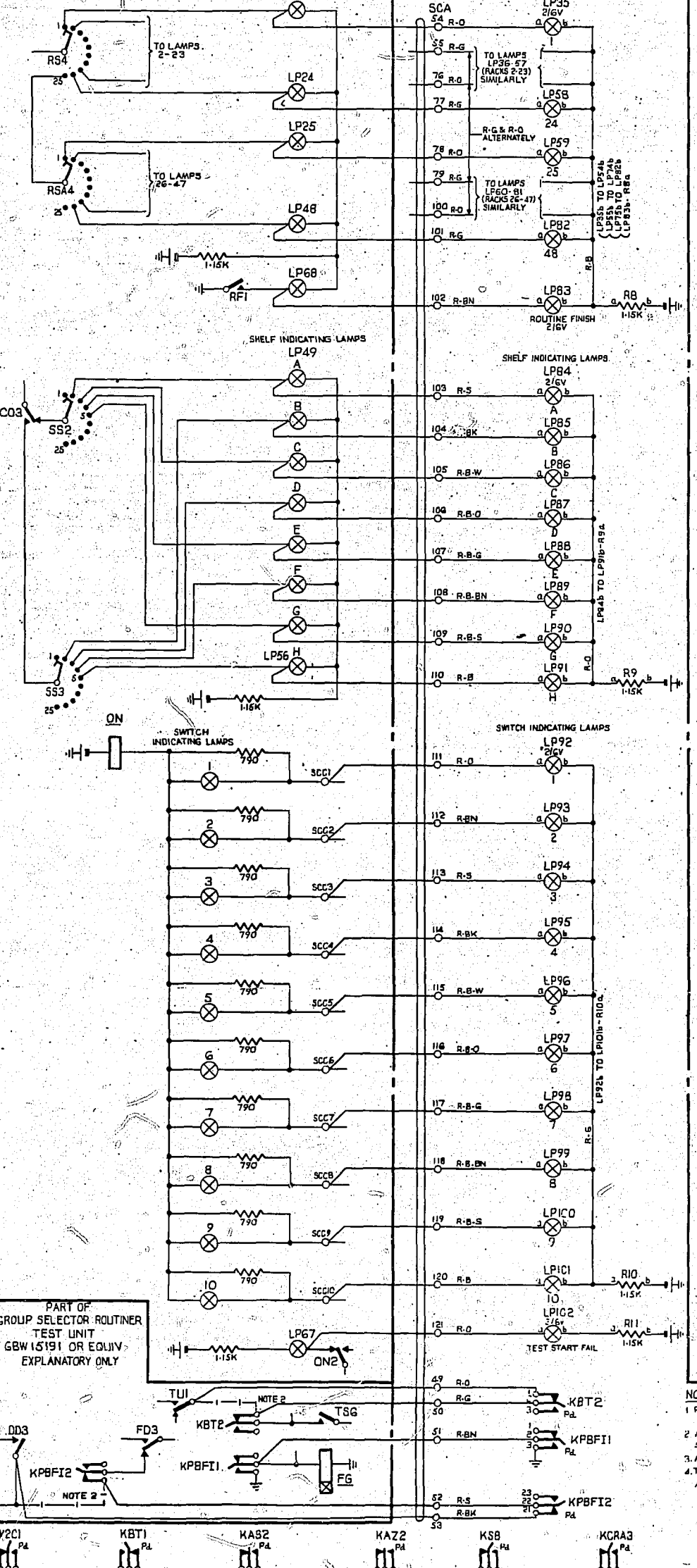


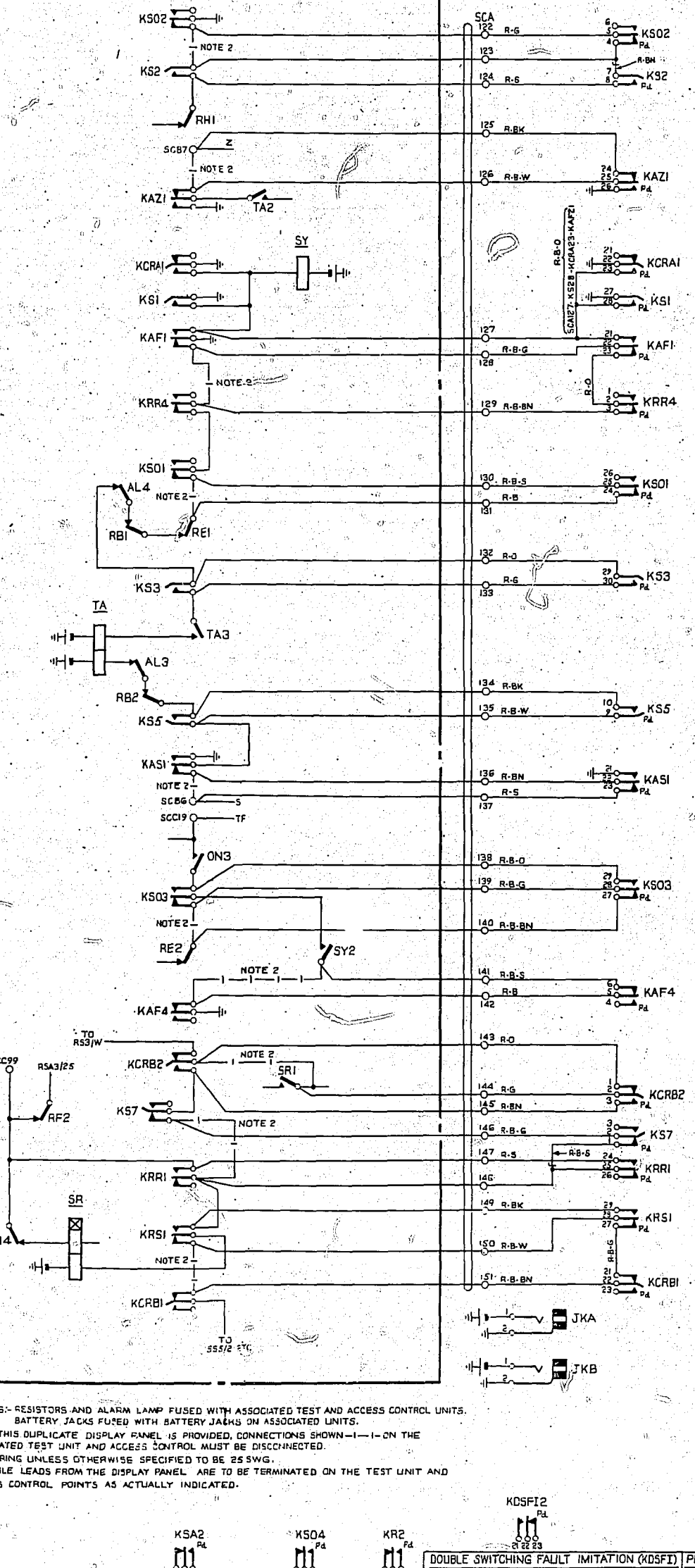
**PART OF GROUP SELECTOR ROUTINER TEST UNIT GBW 15191 OR EQUIV. EXPLANATORY ONLY.**



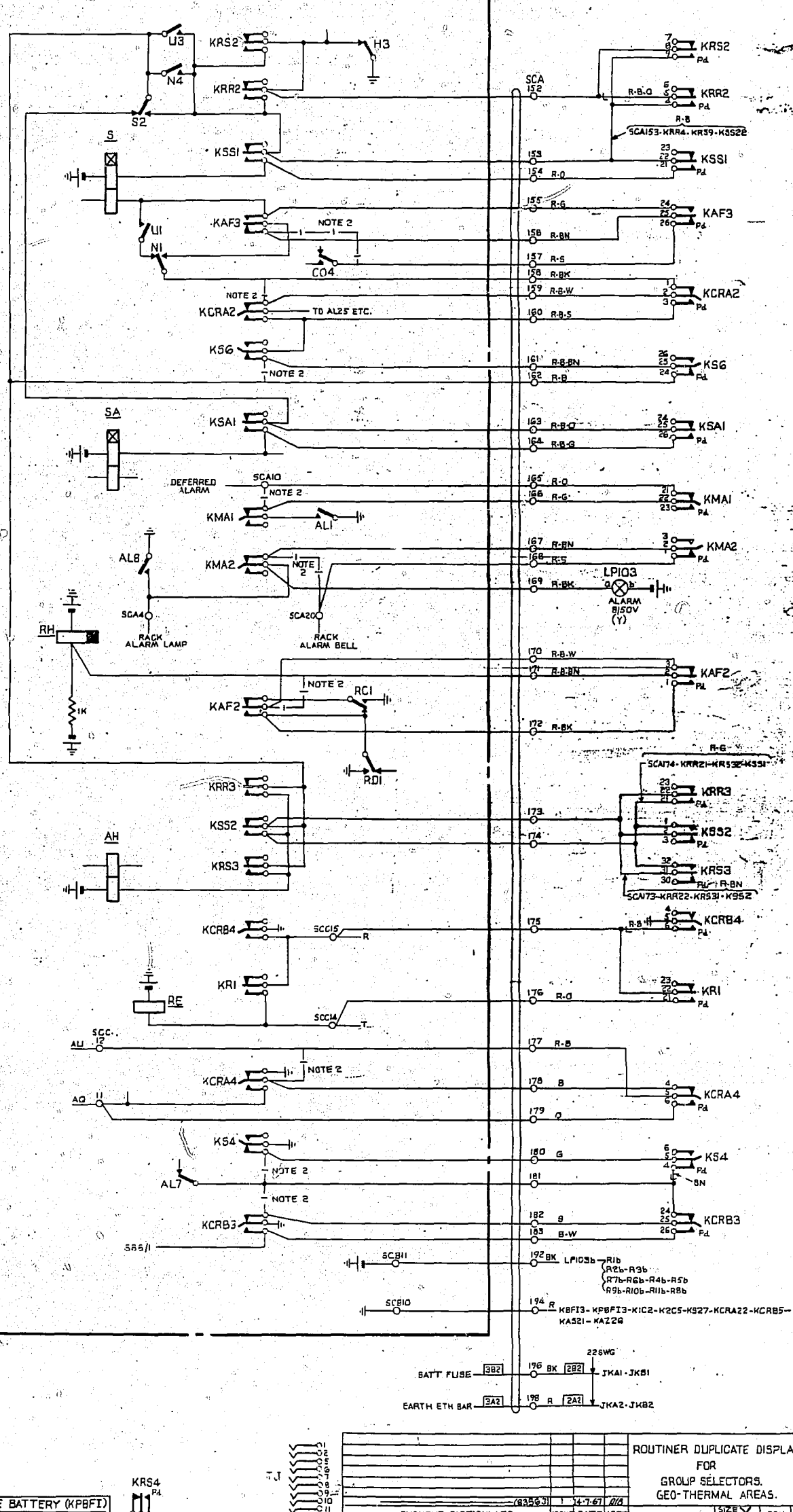
**PART OF GROUP SELECTOR ROUTINER ACCESS CONTROL UNIT GBW 16320 OR EQUIV. EXPLANATORY ONLY.**



**PART OF GROUP SELECTOR ROUTINER ACCESS CONTROL CIRCUIT GBW 16320 OR EQUIV. EXPLANATORY ONLY.**



**PART OF GROUP SELECTOR ROUTINER ACCESS CONTROL CIRCUIT GBW 16320 OR EQUIV. EXPLANATORY ONLY.**



- NOTES**
1. FUSING - RESISTORS AND ALARM LAMP FUSED WITH ASSOCIATED TEST AND ACCESS CONTROL UNITS. BATTERY JACKS FUSED WITH BATTERY JACKS ON ASSOCIATED UNITS.
  2. WHEN THIS DUPLICATE DISPLAY PANEL IS PROVIDED CONNECTIONS SHOWN - I - ON THE ASSOCIATED TEST UNIT AND ACCESS CONTROL MUST BE DISCONNECTED.
  3. ALL WIRING UNLESS OTHERWISE SPECIFIED TO BE 25 SWG.
  4. THE CABLE LEADS FROM THE DISPLAY PANEL ARE TO BE TERMINATED ON THE TEST UNIT AND ACCESS CONTROL POINTS AS ACTUALLY INDICATED.

|                                                                                                                                                               |               |                |                   |                   |                 |                      |                      |             |                              |                        |                       |                             |                                                                    |                      |                       |                  |
|---------------------------------------------------------------------------------------------------------------------------------------------------------------|---------------|----------------|-------------------|-------------------|-----------------|----------------------|----------------------|-------------|------------------------------|------------------------|-----------------------|-----------------------------|--------------------------------------------------------------------|----------------------|-----------------------|------------------|
| KNF11                                                                                                                                                         | KPF11         | KBF11          | KIC1              | Y2C1              | KBT1            | KAS2                 | KA22                 | KSB         | KSA2                         | KSO4                   | KRA2                  | KRS4                        | ROUTINER DUPLICATE DISPLAY FOR GROUP SELECTORS. GEO-THERMAL AREAS. |                      |                       |                  |
| -VE FI (KNF1)                                                                                                                                                 | +VE FI (KPF1) | BUSY FI (KBF1) | 1ST TL BUSY (KIC) | 2ND TL BUSY (KIC) | BUSY TONE (KBT) | ALARM TEST 'S' (KAS) | ALARM TEST 'Z' (KAZ) | START (KAS) | CONTINUOUS ROUTINE (KRA+KRB) | SHELF SELR. STEP (KSS) | ACC. SELR. STEP (KSA) | STEP ON (KSO) + RESET (KRS) | FIND ACC. SELR. OFF NORMAL (KAF)                                   | ACK. SELR. RUN (KRR) | ACK. SELR. STEP (KRS) | MAIN ALARM (KMA) |
| 2                                                                                                                                                             | 2             | 2              | 2                 | 2                 | 2               | 2                    | 2                    | 2           | 4+4                          | 2                      | 2                     | 4                           | 4                                                                  | 4                    | 2                     | TJ               |
| AMENDMENT PARTICULARS: (3325) 1 14-7-61 (4) (5) 1<br>ISSUE DATE: (APR) 1961<br>DRAWN: (M) (61)<br>CHECKED: (M) (61)<br>WIRING: (M) (61)<br>ENGINEER: (M) (61) |               |                |                   |                   |                 |                      |                      |             |                              |                        |                       |                             |                                                                    |                      |                       |                  |
| NZ.P.O. _____ DRAWN _____ CHECKED _____ WIRING _____ ENGINEER _____                                                                                           |               |                |                   |                   |                 |                      |                      |             |                              |                        |                       |                             |                                                                    |                      |                       |                  |
|                                                                                                                                                               |               |                |                   |                   |                 |                      |                      |             |                              |                        |                       |                             |                                                                    | GBW 19430            |                       |                  |