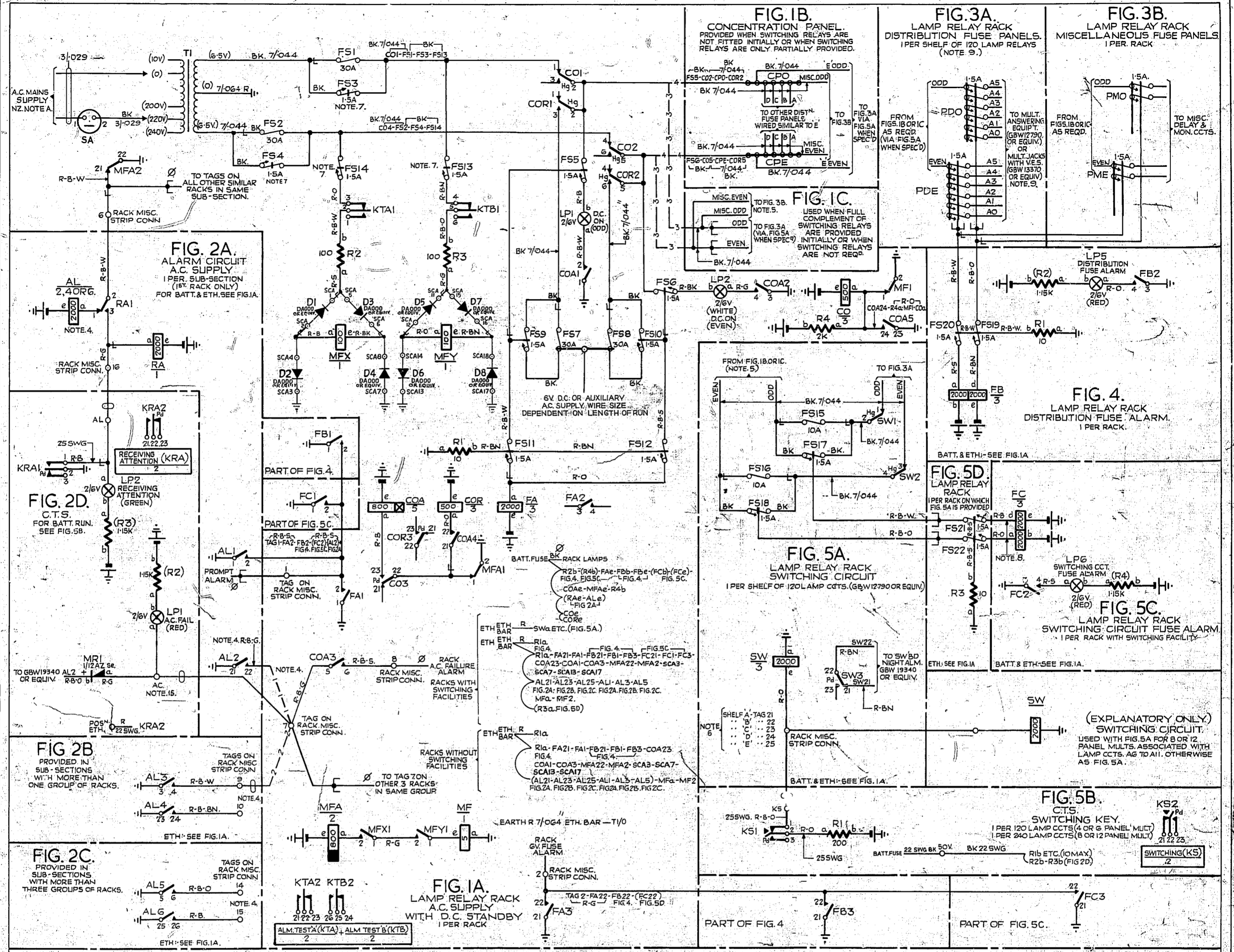


0
5 Centimetres
10
15
20
25
30
35
40
45
50
55
60



NOTES:-

1. FUSE-1.50V-1.5A PER RACK
1.5A PER FIG. 2D & 5B.
2. ALL WIRING BEARING A COLOUR CODE TO BE 22SWG UNLESS OTHERWISE SPECIFIED LOCAL PLATE WIRING TO BE 25SWG.
3. FOR WIRING SEE ASSOC. COMMON SERVICES DIAGRAM GBW 19380 OR EQUIV.
4. AL CONTACTS 2,3,4,5,6 EACH SERVE A GROUP OF NOT MORE THAN FOUR RACKS CONNECTIONS SHOWN THIS - 1 - APPLY TO GROUP OF RACKS SERVED BY AL2 CONNECTIONS SHOWN THIS - 2 - APPLY TO GROUP OF RACKS SERVED BY AL3 CONTACTS AL5 & 6 ARE WIRED IN SIMILAR MANNER TO AL3 BUT VIA TAGS 10,14 & 15 RESPECTIVELY TO OTHER GROUP OF RACKS.
5. WIRING RUN FOR A.C. SUPPLY WITH FIG. 5A BUT WITHOUT FIG. 1B.

22SWG BK	7/044 BK	22SWG BK	7/044 BK
FSG-CO5-COR5	FS16(A)	FS5-CO2-COR2	FS15(A)
	FS16(B)		FS15(B)
	FS16(C)		FS15(C)
	FS16(D)		FS15(D)
	FS16(E)		FS15(E)
	PME		PMO
6. WIRING RUN FOR A.C. SUPPLY WITHOUT FIGS. 1B & 5A

22SWG BK	7/044	22SWG BK	7/044 BK
FSG-CO5-COR5	PME	FS5-CO2-COR2	PMC
7. THE ALARM CONTACTS ON FUSES FS3, FS4, FS13 & FS14 ARE NOT USED.
8. WHEN FIG. 5D IS NOT EQUIPPED THESE WIRES TO BE PROVIDED BUT LEFT DISCONNECTED.
9. AT SMALL T.M.X.'S NOT EXCEEDING 9 POSITIONS FIG. 3A CAN BE USED FOR THE V.E.S. SUPPLY NUMBER OF ODD APPEARANCES NOT TO EXCEED 3 PER LEAD (AO TO A5) NUMBER OF EVEN APPEARANCES NOT TO EXCEED 3 PER LEAD (AO TO A5).

NZ NOTES:-

- A. MAINS CONNECTION TO BE MADE TO ESSENTIAL SUPPLY WHERE THIS IS PROVIDED.

AC & DC 6VOLT SUPPLY FOR MULT. ANSWERING & V.E.S. EQUIPMENT SLEEVE CONTROL SYSTEM (GEO-THERMAL AREAS)	
NZ.NOTE.A. ADD. 6V SUPPLY WAS D.G. ONLY (2328)	1A 16-11-72 B&H
AMENDMENT PARTICULARS (56972)	1 3-3-67 M
ISSUE DATE APPR	REF: G3 3-17 (GBW12876) P. 1 M 50V. E
GBW 1938.0	
N.Z.P.O.	DRAWN CHECKED WIRING CIRCUIT