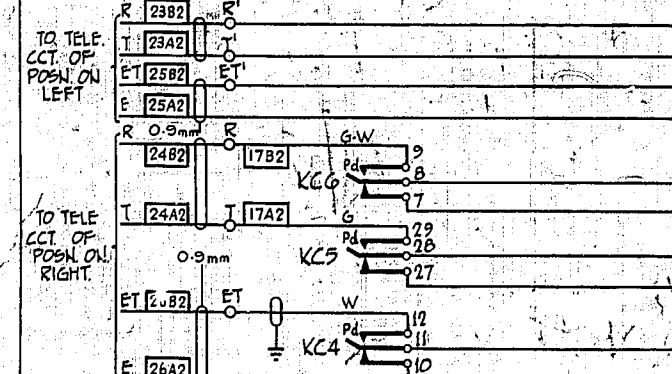
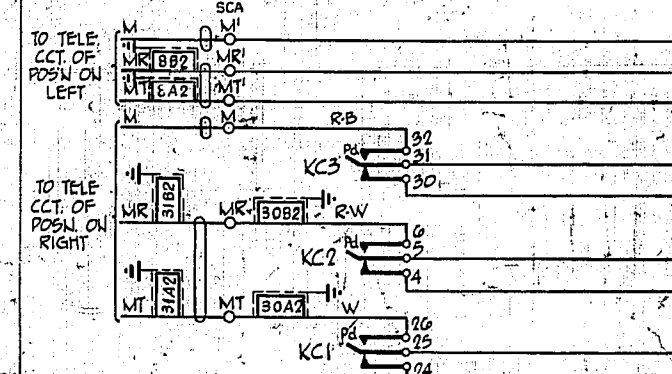
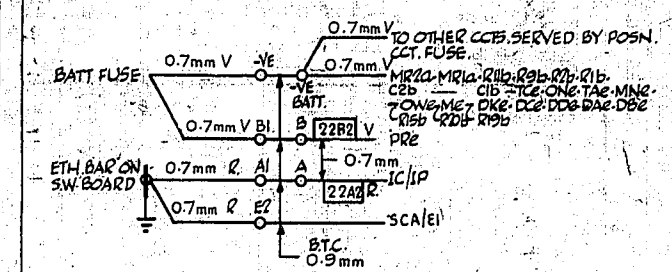
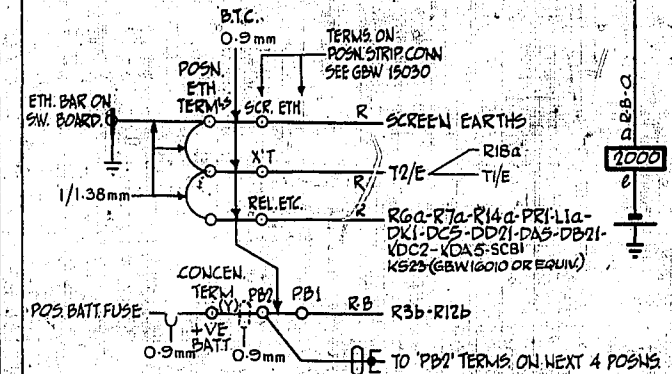
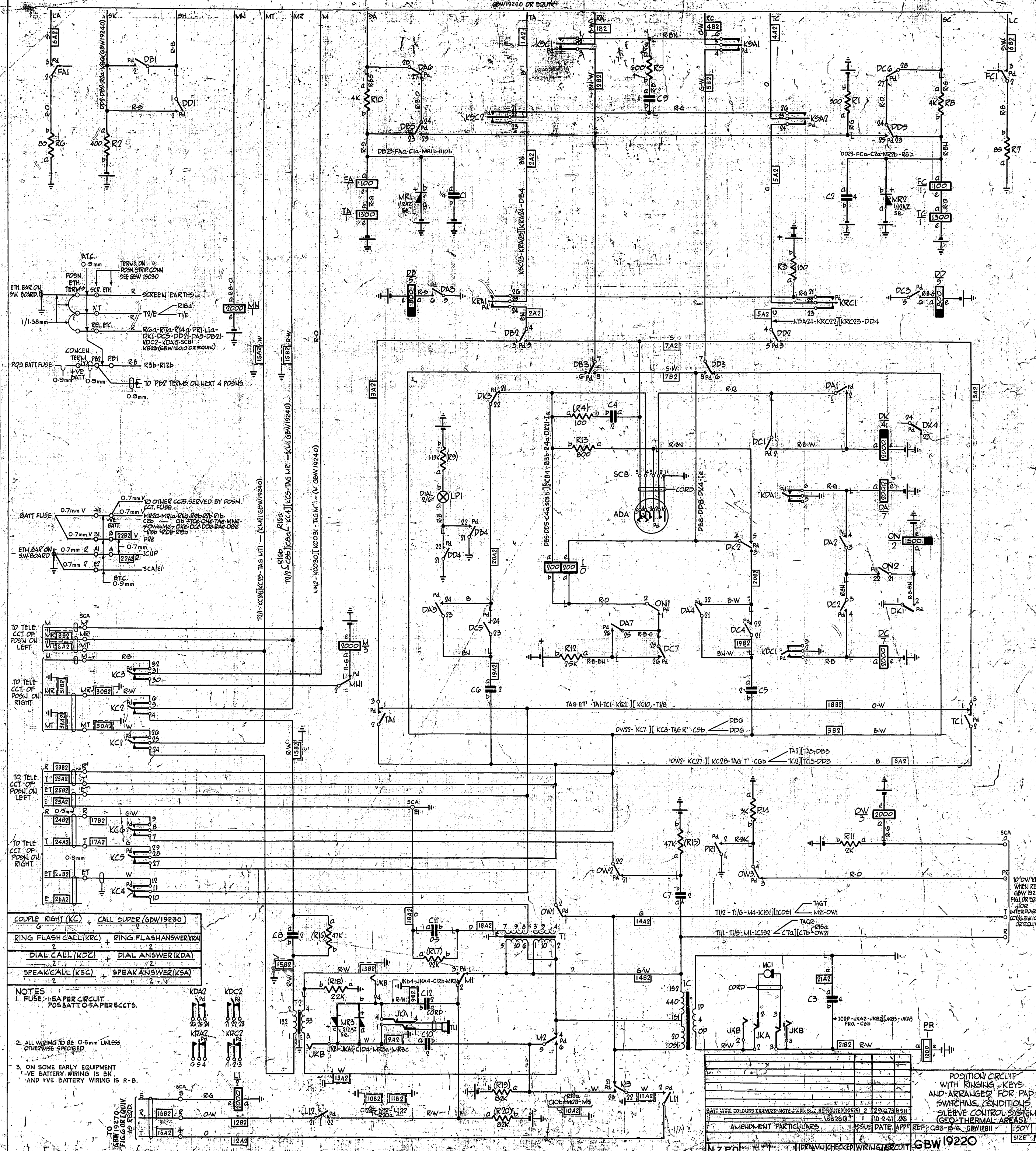


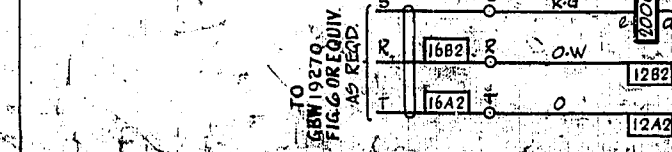
0  
5 Centimetres  
10  
15  
20  
25  
30  
35  
40  
45  
50  
55  
60

FROM CORD CIRCUITS  
GBW19240 OR EQUIV



COUPLE RIGHT (KC) + CALL SUPER (GBW19230)  
RING FLASH CALL (KRC) + RING FLASH ANSWER (KRA)  
DIAL CALL (KDC) + DIAL ANSWER (KDA)  
SPEAK CALL (KSC) + SPEAK ANSWER (KSA)

NOTES  
1. FUSE - 5A PER CIRCUIT. POSN BATT TO 5A PER 5 CCTS.  
2. ALL WIRING TO BE 0.5mm UNLESS OTHERWISE SPECIFIED.  
3. ON SOME EARLY EQUIPMENT +VE BATTERY WIRING IS BK. AND +VE BATTERY WIRING IS R-B.



POSITION CIRCUIT WITH RINGING KEYS AND ARRANGED FOR PAD SWITCHING CONDITIONS (SLEEVE CONTROL SYSTEM GEO-THERMAL AREAS)			
BATT WIRE COLOURS CHANGED. NOTE: ADD SW. 2. REROUTED (9325) 2	29.6.73	B/S	
AMENDMENT PARTICULARS	ISSUE DATE	APP'D	REF: CS3-15-6, GBW1811
N.Z.P.O.			GBW19220