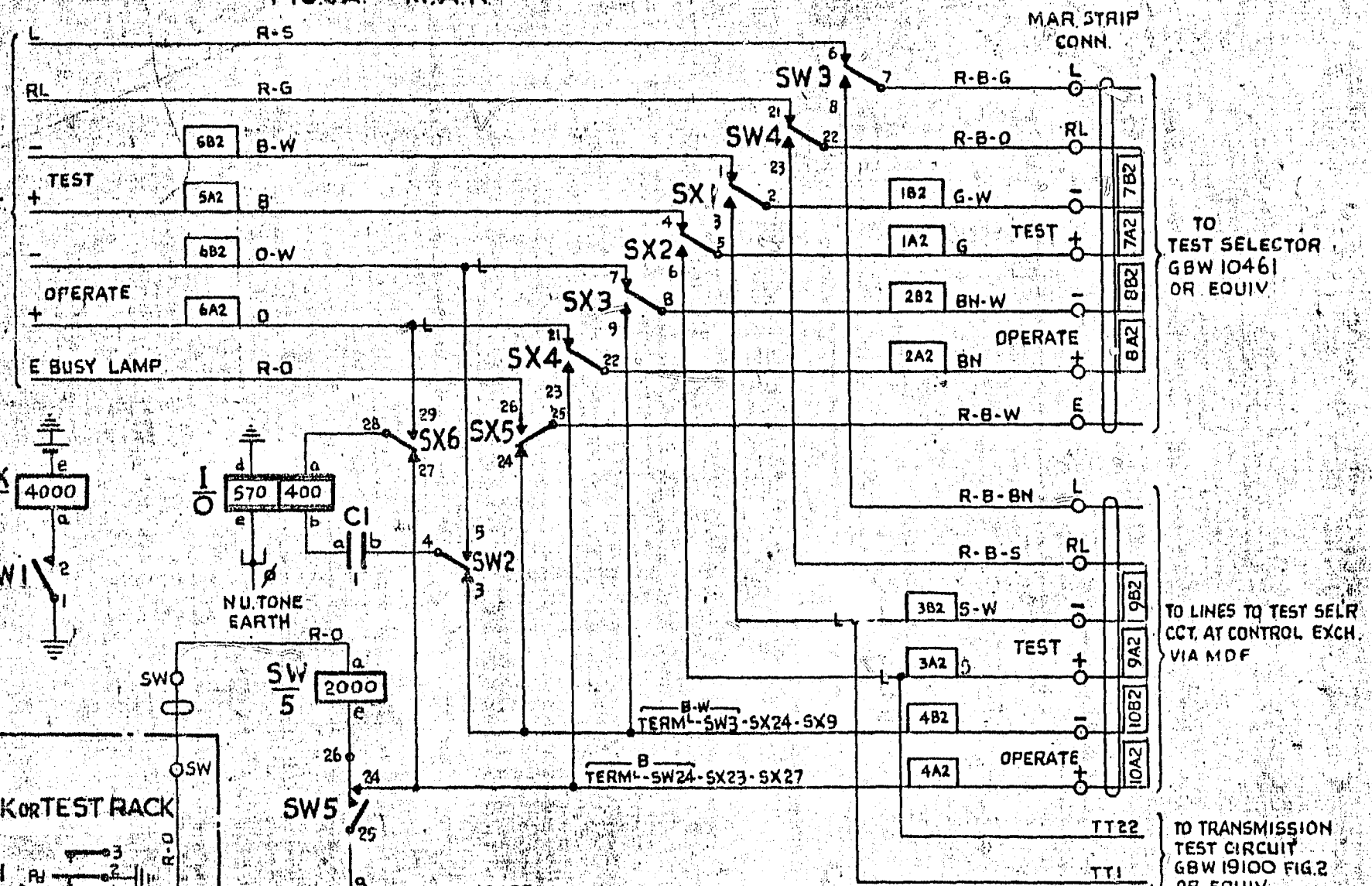


N.Z.P.O.

FIG. JA M.A.R

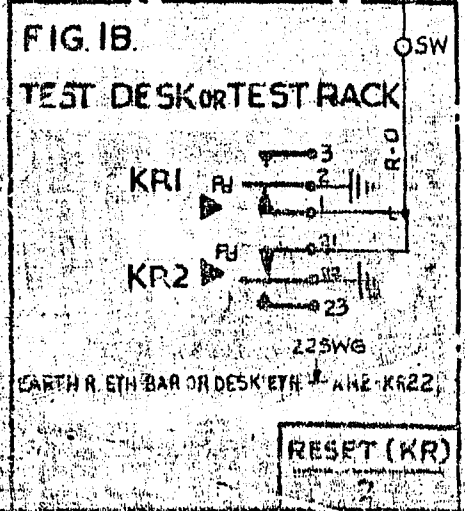


TO LINES TO TEST SELECTOR CIRCUIT, GBW 19020 OR EQUIV.

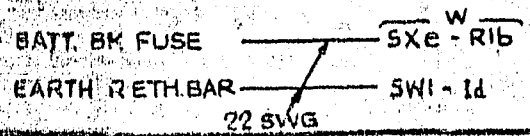
TO TEST SELECTOR GBW 10461 OR EQUIV.

TO LINES TO TEST SELR CCT. AT CONTROL EXCH. VIA MDF

TO TRANSMISSION TEST CIRCUIT GBW 19100 FIG. 2 OR EQUIV.



- NOTES
1. FUSED WITH LINES TO TEST SELECTOR CIRCUIT.
 2. ALL WIRING TO BE 25 SWG UNLESS OTHERWISE SPECIFIED.
 3. ϕ FOR WIRING SEE GBW 10690 OR EQUIV.



SWITCHING FOR TRANSFER OF CONTROL OF TEST SELECTOR TEST DESK OR TEST RACK 2000A TYPE (GEO-THERMAL AREAS)

REF: GBW 1470

SIZE F

GBW 19010

AMENDMENT PARTING J1-43

(58280)

1 9-2-67 D/C