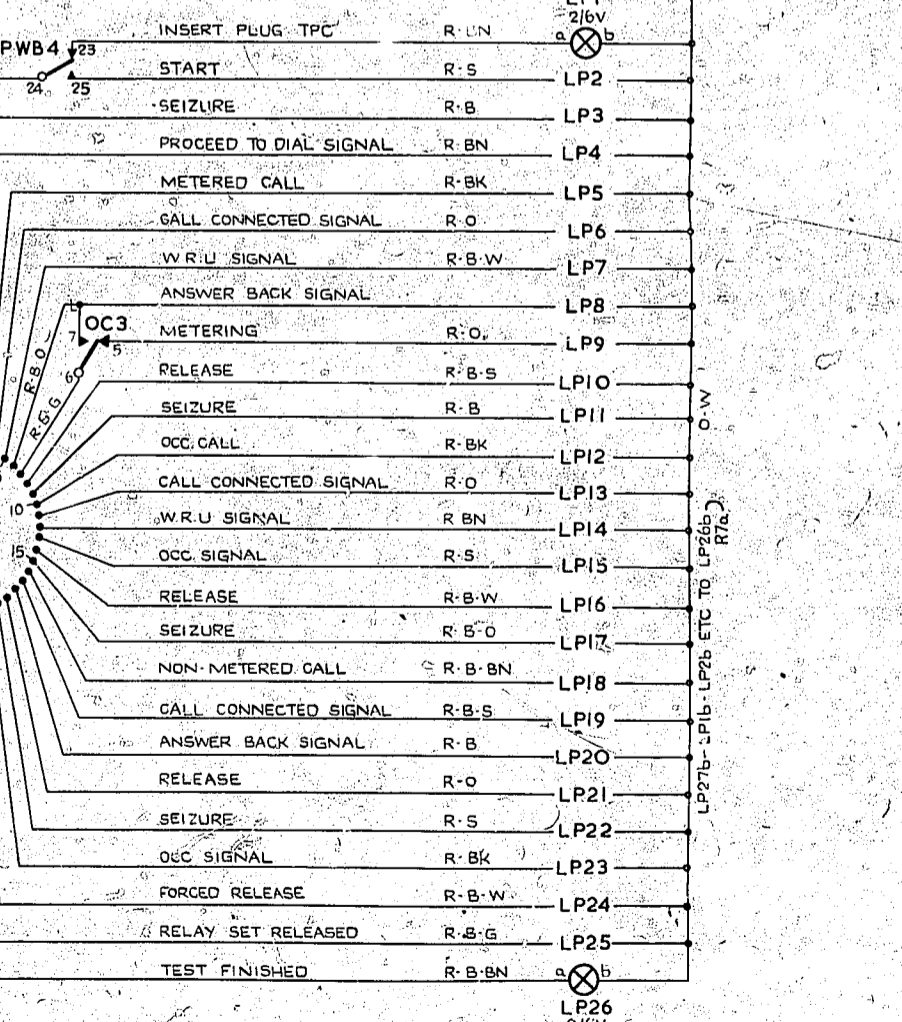
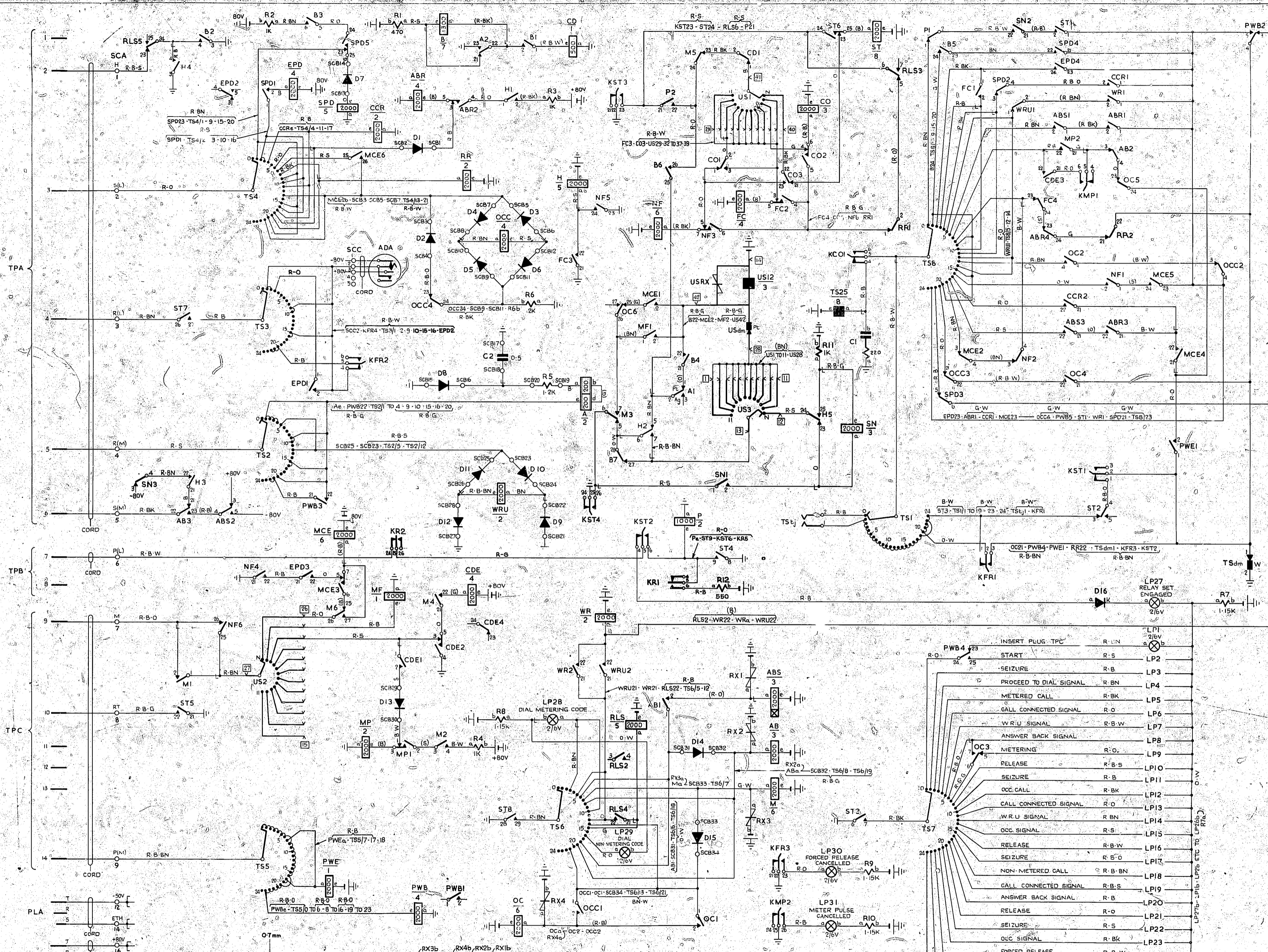
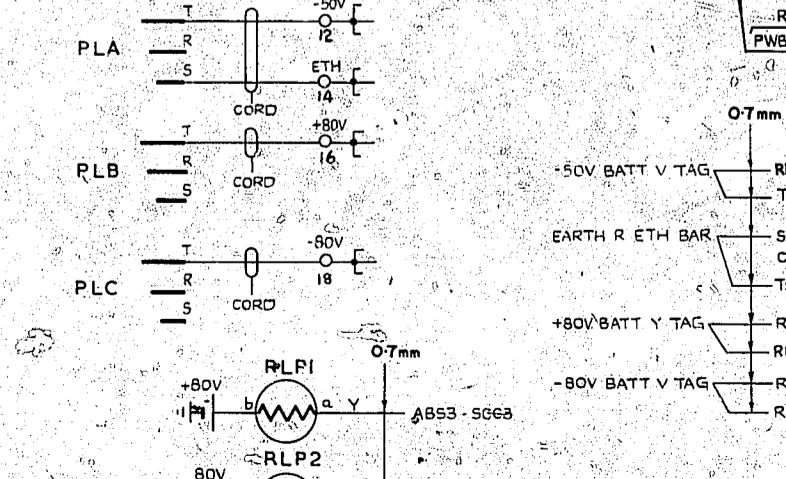


0
5 Centimetres
10
15
20
25
30
35
40
45
50
55
60



NOTES
1. ALL WIRING TO BE 0.5mm UNLESS OTHERWISE SPECIFIED



RETEST (KR)	METER PULSE CANCEL (KMP)	FORCED RELEASE CANCEL (KFR)	CAMP ON (KCO)	START (KST)
2	2	4	2	4

AUTOMATIC TELEX SYSTEM TESTER FOR		
RR&RZ ADDED WIRE SIZES CONVERTED TO METRIC (30245)	3	17-2-72
CCT MODES 5N RLS BUILDING APPER H&R CHANGED (8120)	2	7.1.72
AMENDMENT PARTICULARS	ISSUE DATE	APP'D

GBW 18000