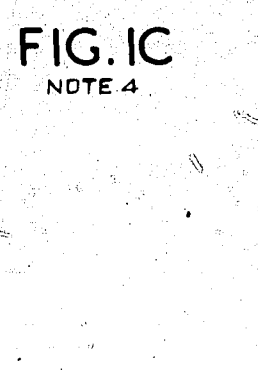
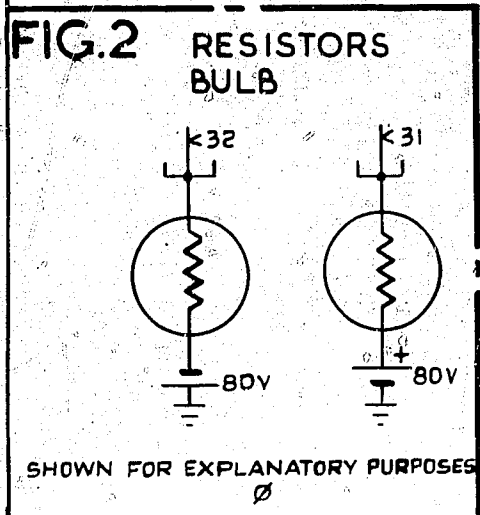
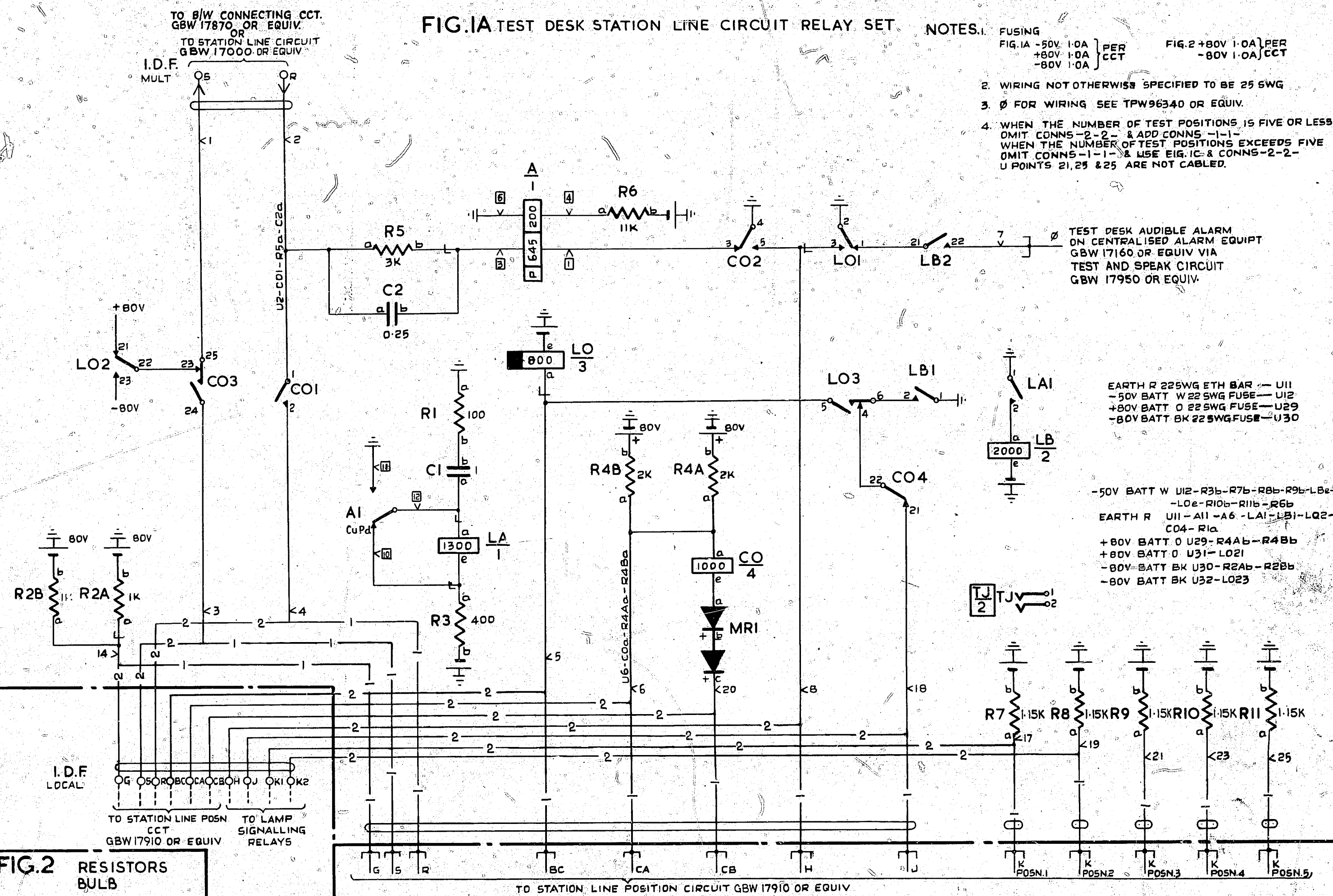


# FIG.1A TEST DESK STATION LINE CIRCUIT RELAY SET

NOTES.1

1. FUSING  
 FIG.1A - 50V 1.0A } PER  
 +80V 1.0A } CCT  
 -80V 1.0A }  
 FIG.2 +80V 1.0A } PER  
 -80V 1.0A } CCT
2. WIRING NOT OTHERWISE SPECIFIED TO BE 25 SWG
3. Ø FOR WIRING SEE TPW96340 OR EQUIV.
4. WHEN THE NUMBER OF TEST POSITIONS IS FIVE OR LESS OMIT CONNS -2-2- & ADD CONNS -1-1- WHEN THE NUMBER OF TEST POSITIONS EXCEEDS FIVE OMIT CONNS -1-1- & USE EIG.1C & CONNS -2-2- U POINTS 21, 25 & 25 ARE NOT CABLED.



AUTOMATIC TELEX SYSTEM			
STATION LINE CIRCUIT			
TERMINATED ON THE TEST DESK			
2000 TYPE			
AMENDMENT PARTICULARS		ISSUE DATE	APPD
		8-4-68	
NZ.P.O.		SIZE S	50V E
DRAWN		CHECKED	WIRING
CIRCUIT		GBW 17970	