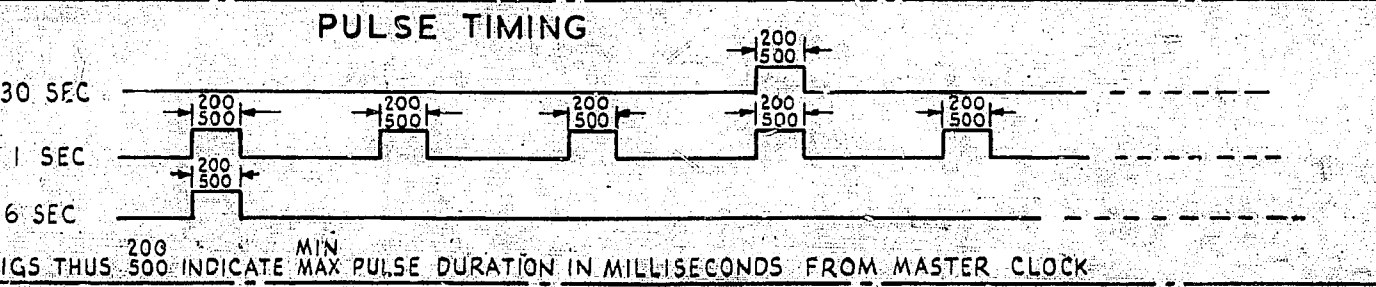
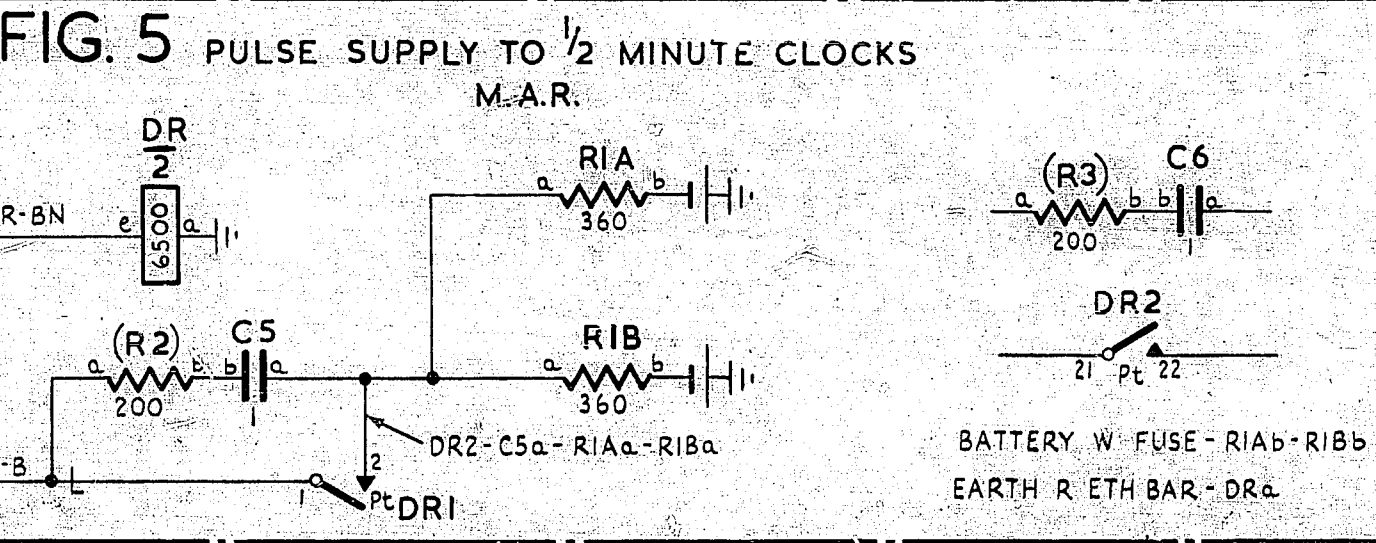
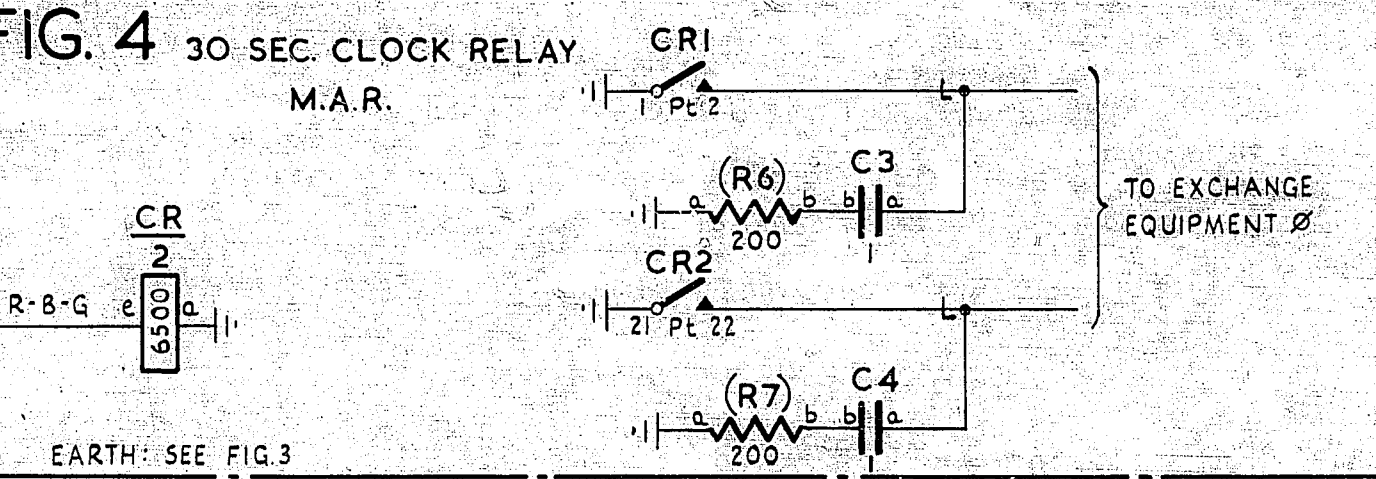
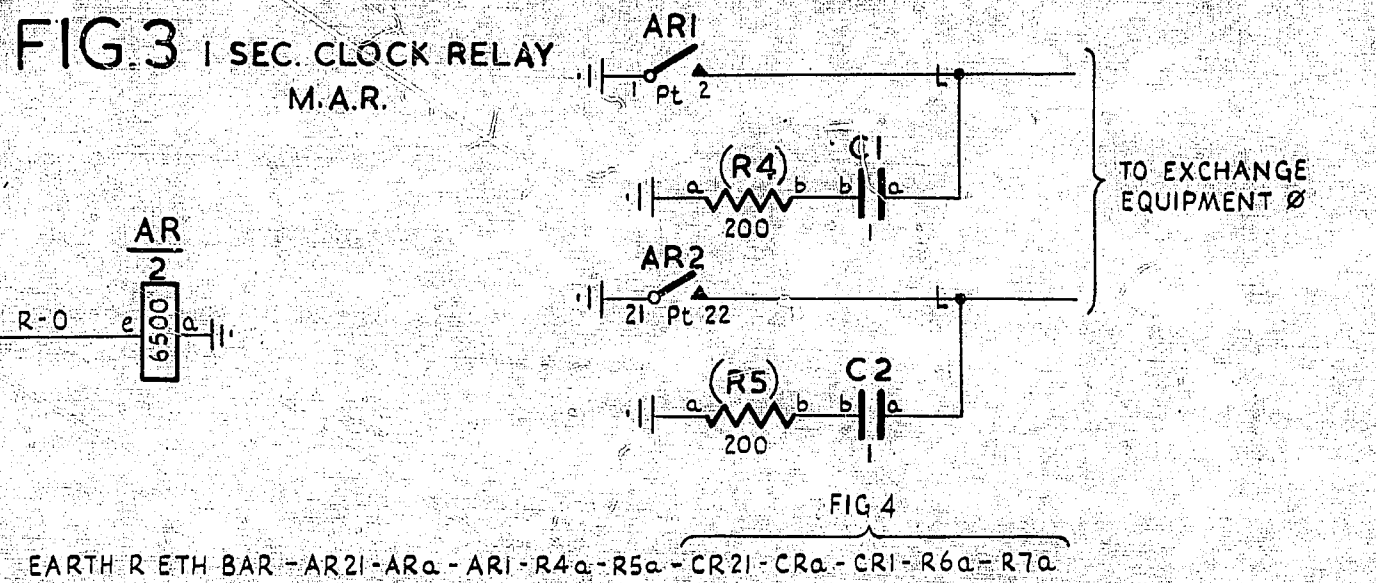


FIG. 1 CLOCK B.P.O. No. 36 (MARK IV - MODIFIED) WITH TIME DIAL.

FIG. 2 MASTER CLOCK BATTERY SUPPLY M.A.R.



FIGS. THUS .500 INDICATE MAX PULSE DURATION IN MILLISECONDS FROM MASTER CLOCK

NOTES  
 1. FUSING: - FIG. 1 0.5A  
 FIG. 5 0.5A  
 2. ALL WIRING TO BE 22 SWG UNLESS OTHERWISE SPECIFIED  
 PLATE WIRING TO BE 25 SWG

BATTERY W FUSE - R1b - R2Ab - R2Bb  
 EARTH R ETH BAR - TAG 6

AUTOMATIC TELEX SYSTEM			
MASTER CLOCK			
(777G2)			
AMENDMENT PARTICULARS	ISSUE	DATE	APPD
NZ.P.O.	DRAWN	CHECKED	WIRING CIRCUIT
			SIZE: 5
			50V E
GBW 17770			