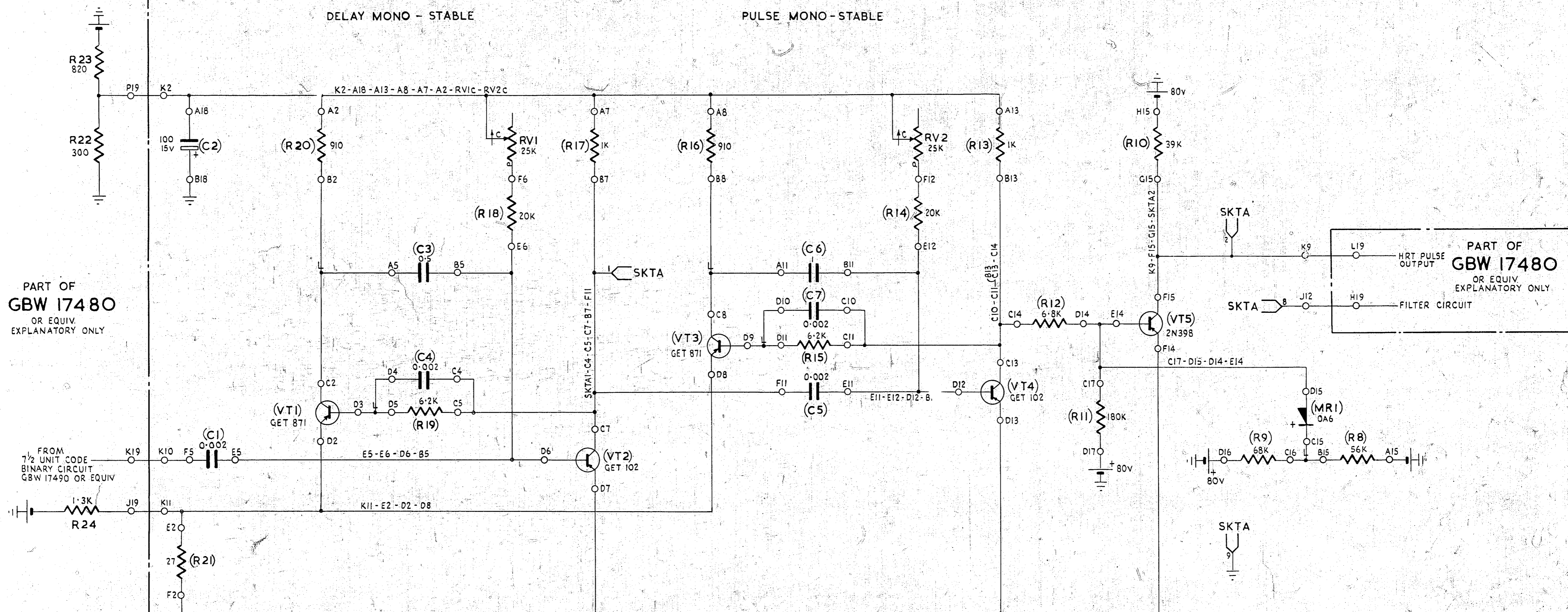


DELAY MONO - STABLE

PULSE MONO - STABLE



PART OF
GBW 17480
OR EQUIV.
EXPLANATORY ONLY

PART OF
GBW 17480
OR EQUIV.
EXPLANATORY ONLY

FROM
7 1/2 UNIT CODE
BINARY CIRCUIT
GBW 17490 OR EQUIV

-80V BATT. A19 — K15 — H15
 +80V BATT. A20 — K6 — D17-D16
 -50V BATT. EARTH } SEE GBW 17590 OR EQUIV.

- 3 SKTA
- 4 SKTA
- 5 SKTA
- 6 SKTA
- 7 SKTA
- 8 SKTA
- 9 SKTA

AUTOMATIC TELEX SYSTEM			
SIGNAL GENERATOR			
H.R.T. PULSE CIRCUIT			
AMENDMENT PARTICULARS	(70672)	ISSUE DATE	19-4-63
		APP'D	
DRAWN			SIZE M
CHECKED			50V
WIRING			
CIRCUIT			
NZ PO			GBW 17530

