

FIG 2
TEST BOX

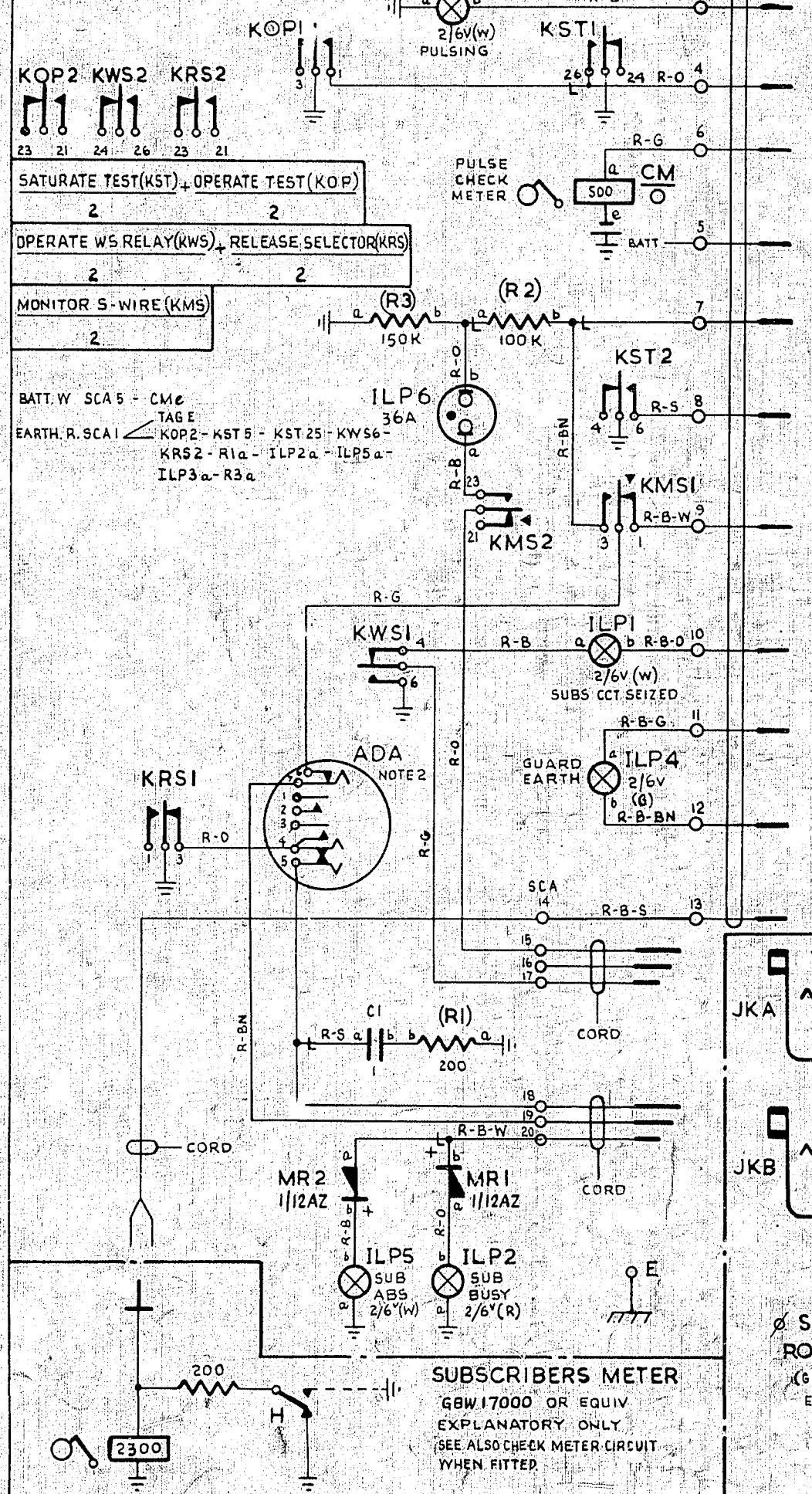
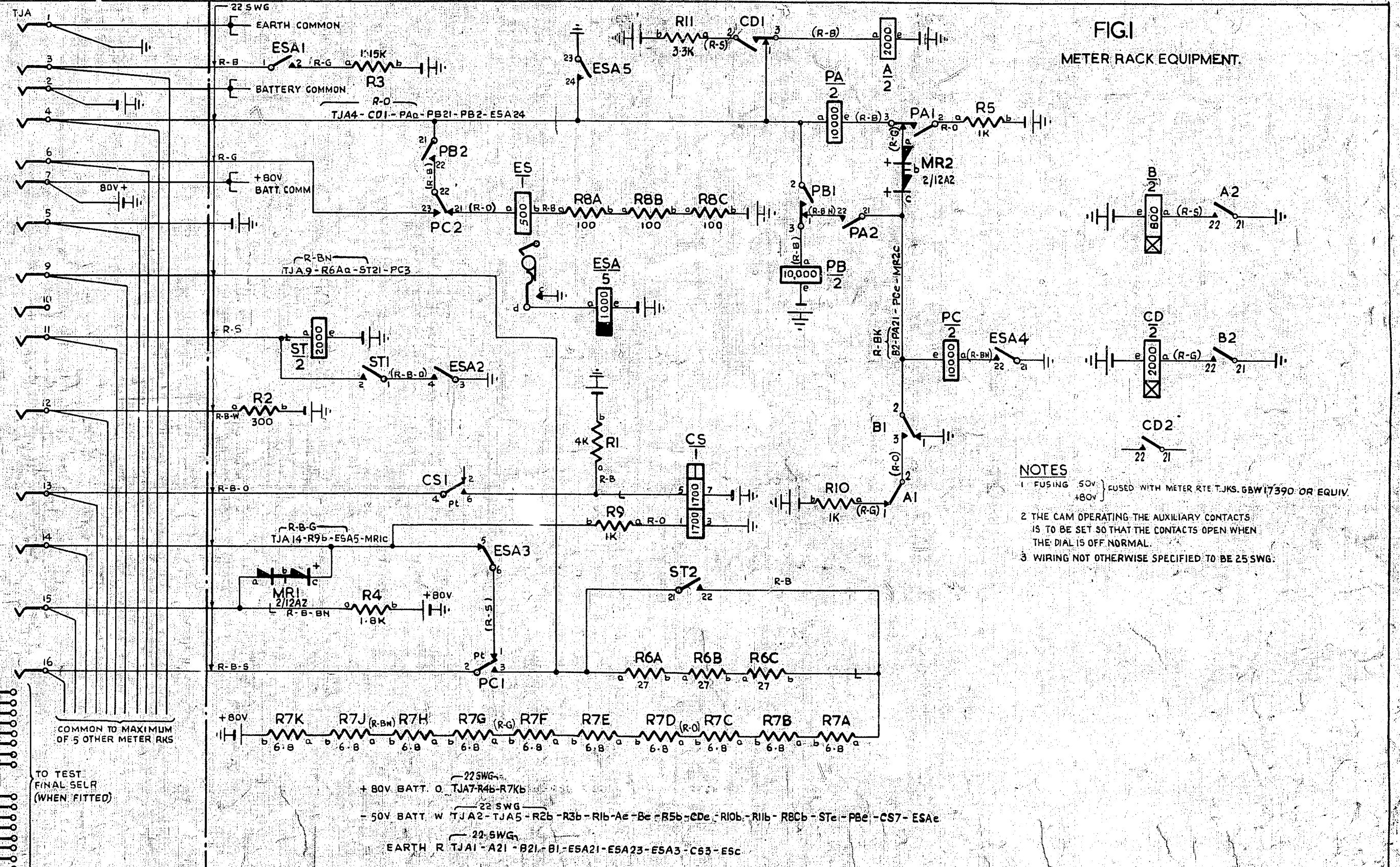


FIG 1
METER RACK EQUIPMENT



- NOTES**
- 1 FUSING 50V } USED WITH METER RTE T.JKS. GBW 17390 OR EQUIV.
480V
 - 2 THE CAM OPERATING THE AUXILIARY CONTACTS IS TO BE SET SO THAT THE CONTACTS OPEN WHEN THE DIAL IS OFF NORMAL.
 - 3 WIRING NOT OTHERWISE SPECIFIED TO BE 25 SWG.

○ SUBSCRIBERS METER ROUTINE TESTER JACK (GBW 17390 OR EQUIV.) EXPLANATORY ONLY

○ SUBSCRIBERS METER GBW 17000 OR EQUIV. EXPLANATORY ONLY. (SEE ALSO CHECK METER CIRCUIT WHEN FITTED)

AUTOMATIC TELEX SYSTEM			
ROUTINE TESTER FOR			
SUBSCRIBERS METERS			
TEST BOX & RACK MOUNTED EQUIP.			
(70672)	19 4 63	Fin	
AMENDMENT PARTICULARS	ISSUE DATE	APP'D	SIZE M 50V E
NZPO	DRAWN	CHECKED	WIRING CIRCUIT
			GBW 17470