

ALLOCATION OF TAGS ON RACK		MISCELLANEOUS STRIP CONNEXION	
TAG	SERVICE	TAG	SERVICE
1	FUSE ALARM	14	FICKER START
2	PROMPT	15	FICKER EARTH
3	DEFERRED	16	50% POWER RINGING
4	M.P. ALARM	17	SA PULSE
5	FUSE ALARM L.P. BATT	18	SA PULSE ST
6	M.P. ALARM LAMPS	19	SB PULSE
7	M.P. ALARM BATT.	20	SB PULSE ST
8	ST	21	SA PULSE
9	SB PHASING PULSES	22	SB PULSE ST
10		23	SA PULSE
11		24	SB PULSE
12		25	SA PULSE ST
13		26	SB PULSE
14		27	HRT (ODD)
15		28	HRT (EVEN)
16		29	ST
17		30	50% POWER RINGING
18		31	1 SEC. EARTH CLOCK PULSE
19		32	SA PULSE
20		33	SA PULSE ST
21		34	SB PULSE
22		35	SB PULSE ST
23		36	SA PULSE
24		37	SA PULSE ST
25		38	SB PULSE
26		39	SB PULSE ST
27		40	
28		41	
29		42	
30		43	
31		44	
32		45	
33		46	
34		47	
35		48	
36		49	
37		50	

- NOTES:-
- UNLESS OTHERWISE SPECIFIED TAGS ARE ON RACK MISC. STRIP CONN.
  - ALL WIRING TO BE 22SWG UNLESS OTHERWISE SPECIFIED. PLATE WIRING TO BE 25SWG.
  - THE FA LAMP ON THE 2<sup>ND</sup> 4<sup>TH</sup> ETC. RACKS OF A SUITE SHALL BE SERVED BY THE FUSE ON THE 1<sup>ST</sup> 3<sup>RD</sup> ETC. RACKS RESPECTIVELY. THE FA LAMP ON THE 1<sup>ST</sup> 3<sup>RD</sup> ETC. RACKS SHALL BE SERVED BY THE FUSE ON THE 2<sup>ND</sup> 4<sup>TH</sup> ETC. RACKS RESPECTIVELY. WHEN THERE IS AN ODD NUMBER OF RACKS IN A SUITE THE FUSE ON THE LAST EVEN RACK SHALL SERVE THE TWO ADJACENT ODD RACKS. WHEN THE ABOVE ARRANGEMENT CANNOT BE FOLLOWED THE FA LAMP SHALL BE SERVED BY A FUSE ON THE NEAREST RACK IN THE SAME SUITE, OR IN THE CASE OF AN ISOLATED RACK BY A FUSE ON A RACK IN AN ADJACENT SUITE IN THE SAME SECTION.
  - CONNECTIONS SHOWN — | — PROVIDED AS SPECIFIED.
  - 50V, -80V, +80V FUSES FIG. 15B TO BE MOUNTED ON THE RACK FURTHEST FROM THE BATTERY SUPPLY.
  - FIGS. 6-17 REQUIRED ONLY WHEN TEST DESK IS PROVIDED.

TELEX EXCH. ADD. FIGS. 4-B & 5-B. (122402)		3A	21-11-74	JWE
FIG. 6B & 7B REFS. TO GBW 1790 ADDED WAS SHT. 1-2 (26576)		3	13-12-64	A.L.
FIG. 4-B AMENDED (7273B)		2	2-6-67	JWE
AMENDED PARTICULARS (70672)		1	19-4-63	
AMENDMENT PARTICULARS	ISSUE DATE	APP'D	SIZE	50V 2 E

AUTOMATIC TELEX SYSTEM  
RACK COMMON SERVICES  
MISCELLANEOUS APPARATUS RACKS

GBW 17380

NZ PO, DRAWN, CHECKED, WIRING, CIRCUIT

FIG 9A 6V 50~ SUPPLY

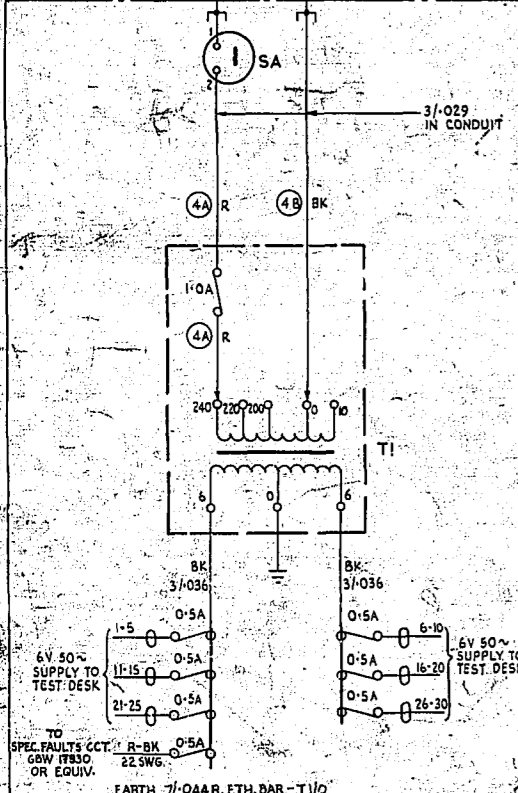
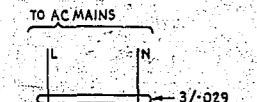


FIG 9B  
1 PER 30 TEST DESK POSITIONS

FIG 10A +80V SUPPLY VIA BULBS-RESISTOR TEST DESK TEST CCT.

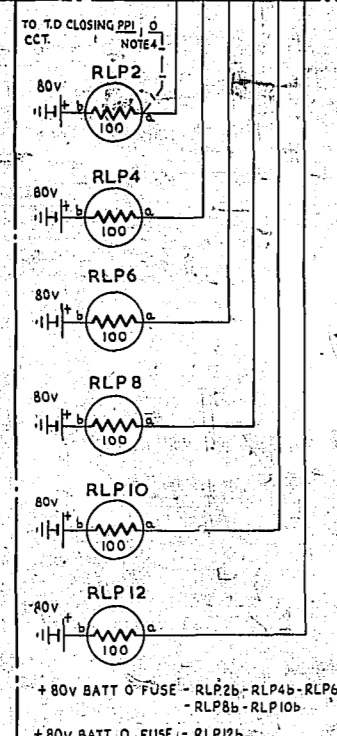
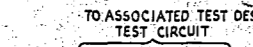


FIG 10B  
1 PER TEST DESK POSITION

FIG 11A -80V SUPPLY VIA BULBS-RESISTOR TEST DESK TEST CCT.

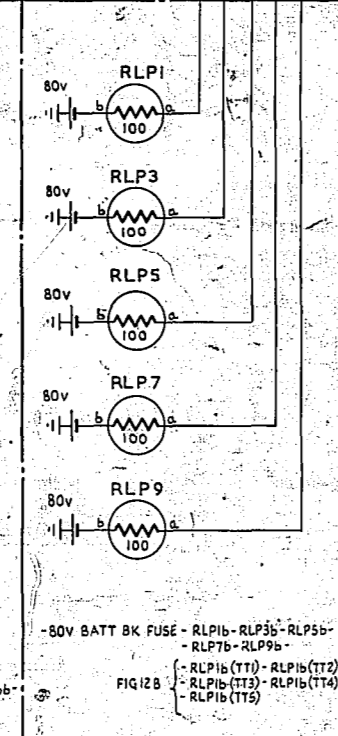


FIG 11B  
1 PER TEST DESK POSITION

FIG 12A -80V SUPPLY VIA BULBS-RESISTOR TEST TRUNKS TO E.C.B.

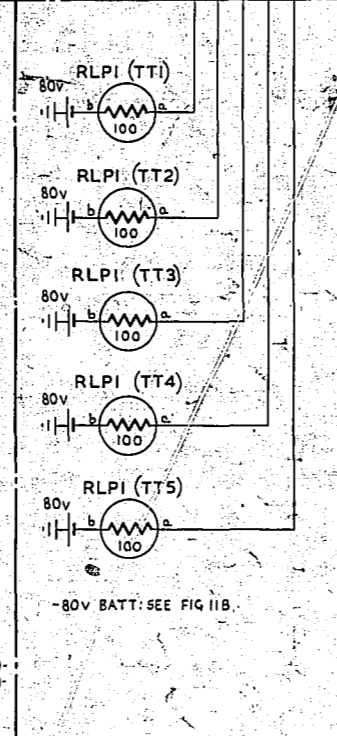


FIG 12B  
1 PER TEST DESK POSITION

FIG 13A DISTRIBUTION OF TCHR & HRT SIGNALS

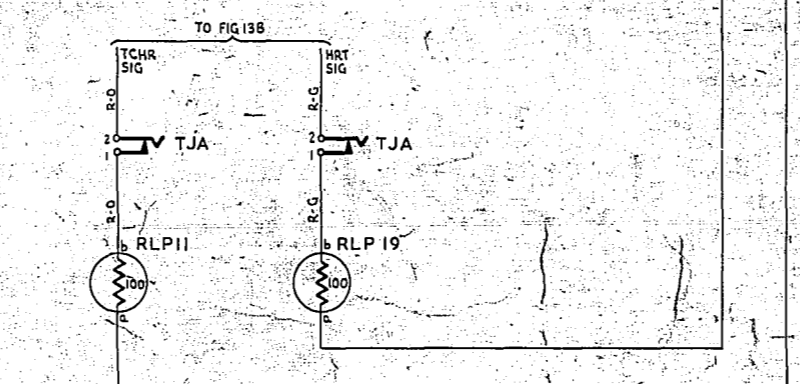
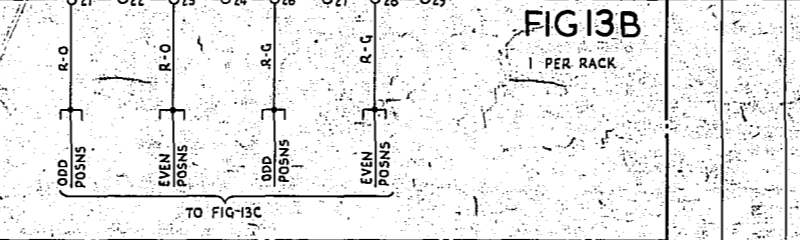
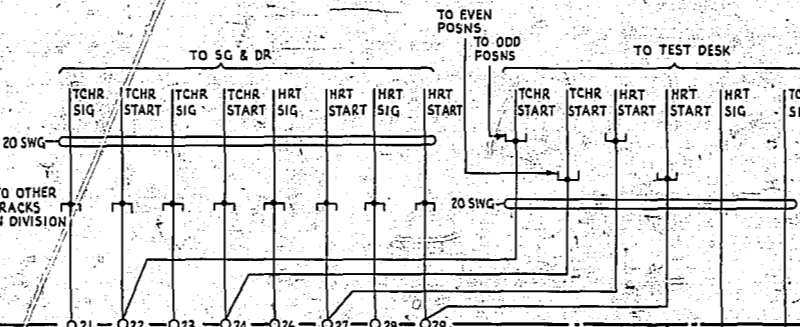


FIG 13C  
1 PER TEST DESK POSITION

FIG 14A 50 C/S POWER RINGING SUPPLY

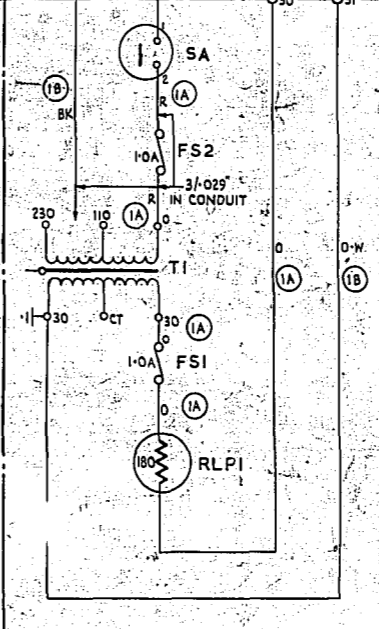
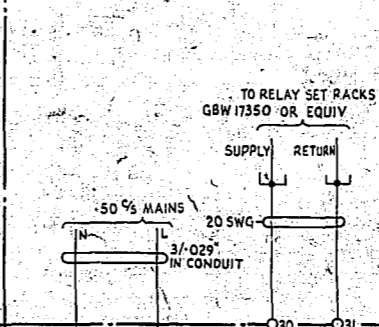


FIG 14B  
1 PER EXCHANGE

FIG 15A -50V & +80V SUPPLIES VIA BULB RESISTORS TEST DESK BUS BAR VOLTAGE CHECK CIRCUIT

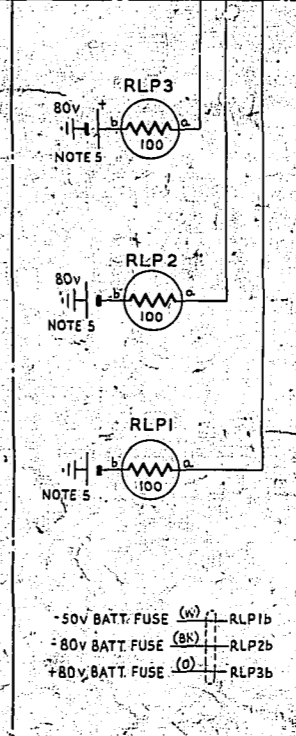
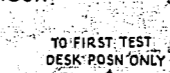


FIG 15B  
1 PER EXCHANGE

FIG 16A DISTRIBUTION OF SA & SB PHASING PULSES TO TEST DESK

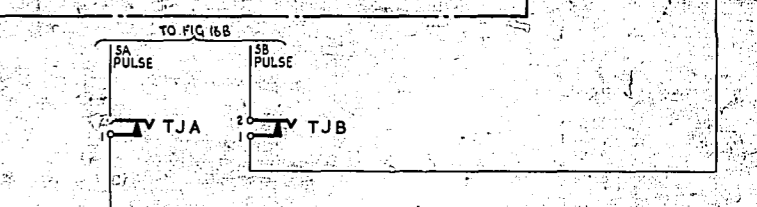
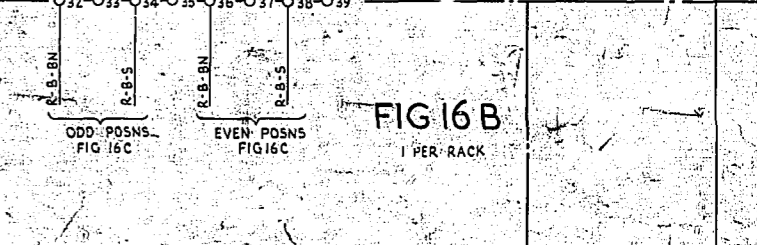
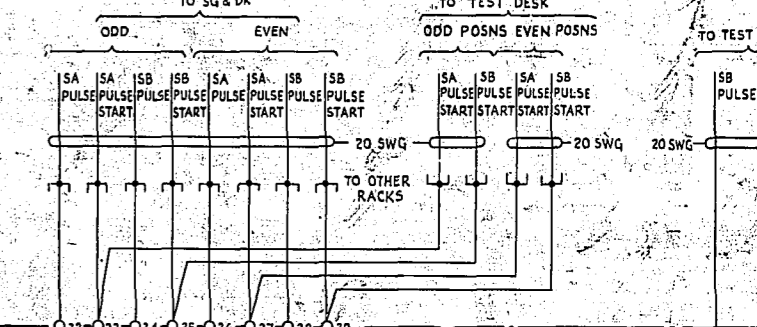
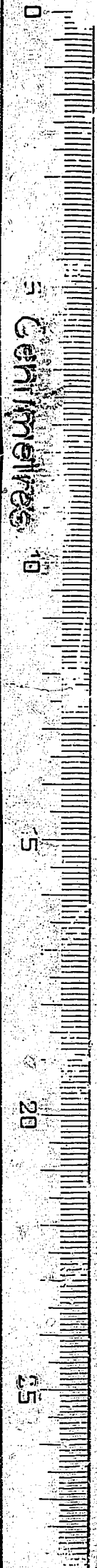
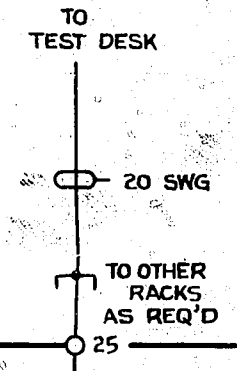


FIG 16C  
1 PER TEST DESK POSITION

AMENDMENT PARTICULARS				ISSUE DATE	APPD	SIZE	50V E
NO CHANGE: SHT-1 AMENDED. (122402)				3A	21-11-74 UWE	AUTOMATIC TELEX SYSTEM RACK COMMON SERVICES MISCELLANEOUS APPARATUS RACK	GBW 17380
FIG 9B SPEC. FAULT: FUSE ADDED, WAS SHT-2-2 (06576)				3	13-12-67 AM		
NO CHANGE, ISSUE ADVANCED ONLY (72738)				2	2-6-67 JWE		
				(70672)	1	19-4-63	



**FIG 17A**  
AUDIBLE ALARM  
TO TEST DESK



R-BK

1A22  
GBW 17930 OR EQUIV

**FIG 17B**  
1 PER SUITE OF  
5 TEST DESKS

				AUTOMATIC TELEX SYSTEM RACK COMMON SERVICES MISCELLANEOUS APPARATUS RACK			
NO CHANGE: SHT 1 AMENDED (122402)				3A	21-11-74	JWE	
(86576)				3	13-12-67	A.M.	
AMENDMENT PARTICULARS				ISSUE	DATE	APP'D	SIZE: S 50V E
NZFO		DRAWN	CHECKED	WIRING	CIRCUIT	GBW 17380	
							SHT 3-3