

FIG 1 SIGNAL TEST CIRCUIT
S.G. & D.R.

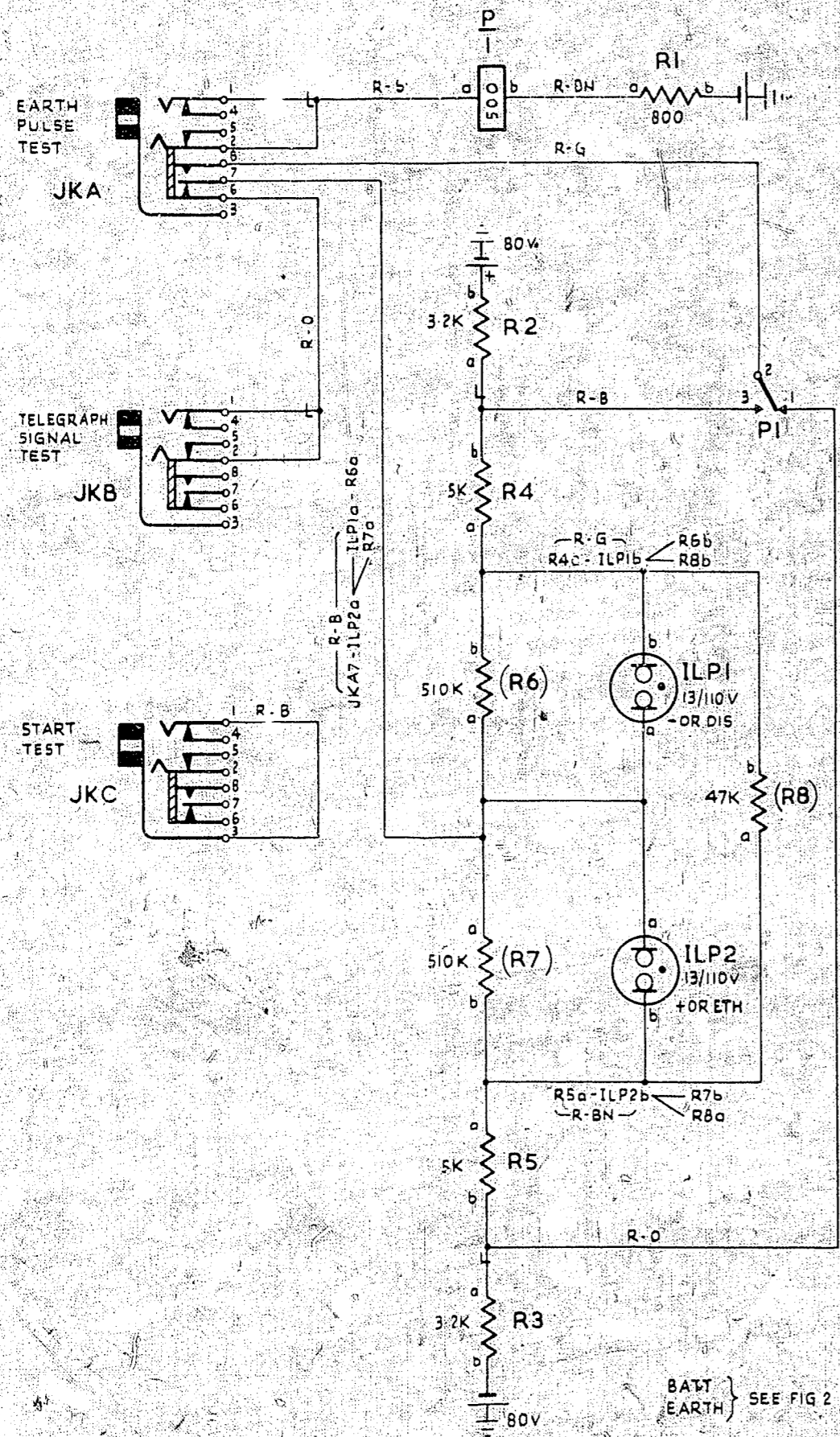


FIG 2 DISTRIBUTION RELAY SET TEST CIRCUIT
S.G. & D.R.

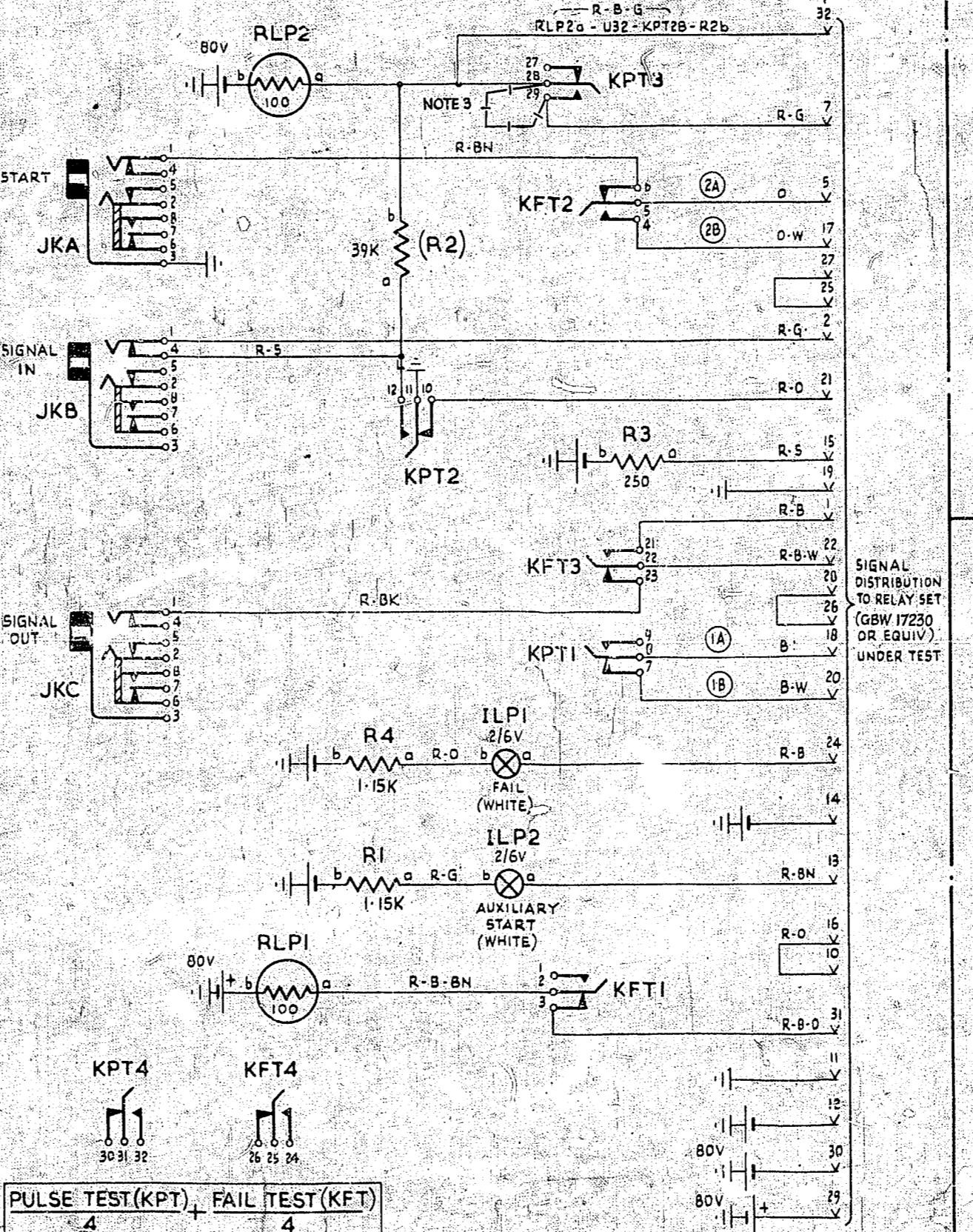
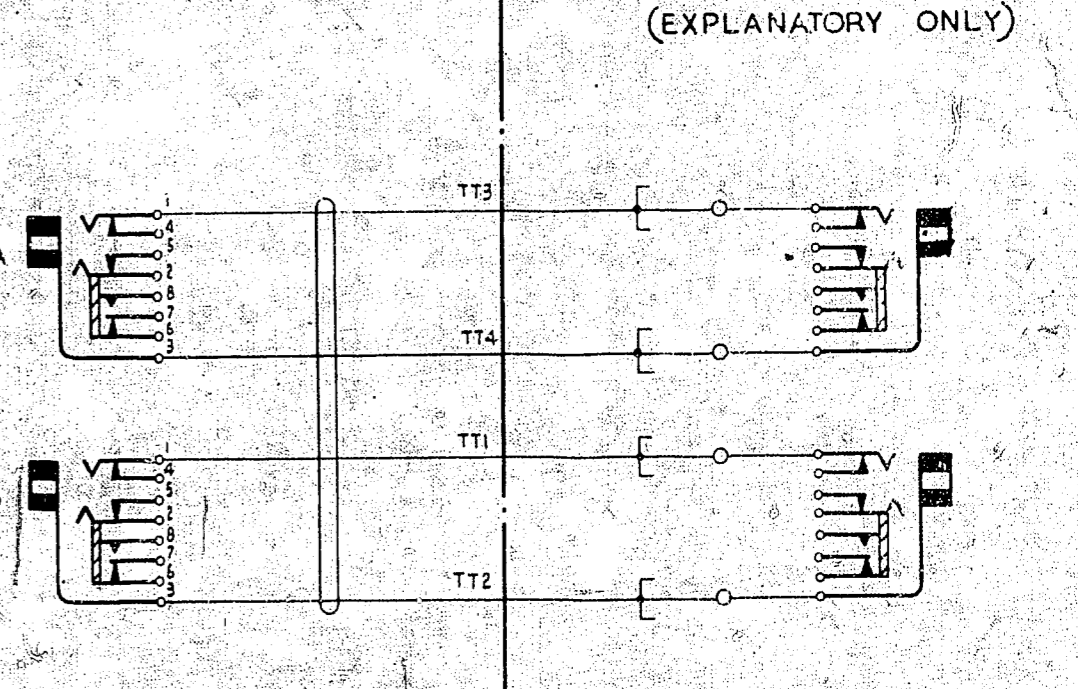


FIG 3 TEST TRUNK TO E.C.B.



NOTES

- FUSE :- FIG 1 FUSE WITH FIG 2
FIG 2 50V 0.5A PER CCT
-80V } 0.5A PER CCT
+80V }
- UNLESS OTHERWISE SPECIFIED WIRING TO BE 25 SWG.
- WHEN ELECTRONIC SIGNAL GENERATOR IS USED ADD STRAP SHOWN

SIGNAL DISTRIBUTION TO RELAY SET (GBW 17230 OR EQUIV) UNDER TEST

- 50V BATT. W. FUSE U12-U14
- EARTH R. ETH BAR R1b (FIG 1) - R1b - R3b - R4b
- U11 - U19
- 80V BATT. BK FUSE RLP2b - R3b (FIG 1)
- U30
- +80V BATT. D. FUSE RLP1b - R2b (FIG 1)
- U29
- 22 SWG

AUTOMATIC TELEX SYSTEM			
SIGNAL DISTRIBUTION			
TEST PANEL			
NOTE 3 & REFERENCE THERE TO ADDED	(77882)	2	18.5.63
	(70673)	1	19.4.63
AMENDMENT PARTICULARS	ISSUE	DATE	APPD.
N.Z.P.O.	DRAWN	CHECKED	WIRING
			CIRCUIT
GBW 17250			