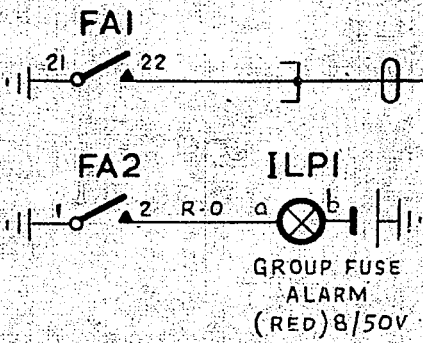


FIG. 1
-50V GROUP FUSE ALARM
 (PER-50V. GROUP FUSE)
 TO ALARM CLASSN. STRIP CONN. PROMPT ALARM



NOTE
 +80V BATT. FUSE — FAe
 -50V BATT. TAG 5 — ILPIb
 EARTH ETH. BAR — FA2I-FAa-FAI

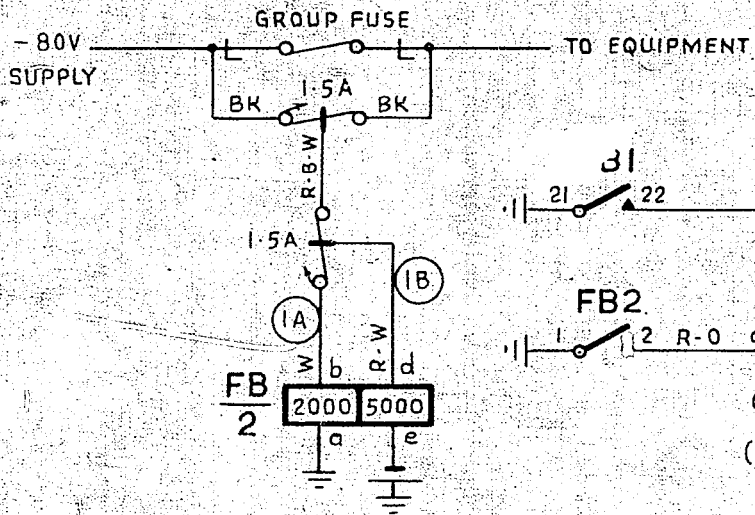
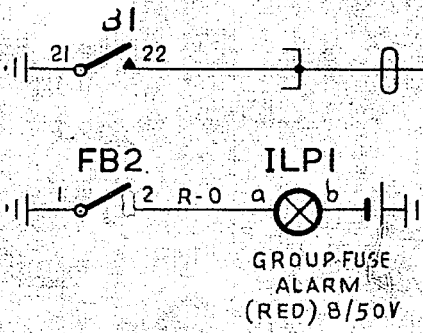


FIG. 2
-80V GROUP FUSE ALARM
 (PER-80V. GROUP FUSE)
 TO ALARM CLASSN. STRIP CONN. PROMPT ALARM.



NOTE
 -50V BATT. FUSE — FBa
 -50V BATT. TAG 5 — ILPIb
 EARTH ETH. BAR — FB2I-FBa-FBI

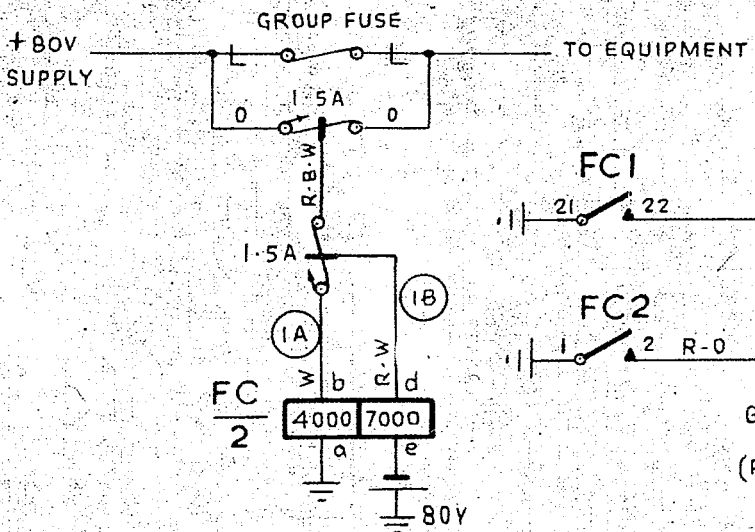
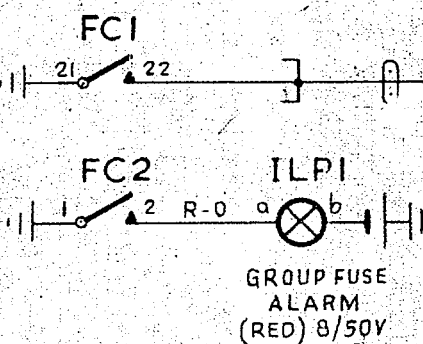


FIG. 3
+80V GROUP FUSE ALARM
 (PER+80V. GROUP FUSE)
 TO ALARM CLASSN. STRIP CONN. PROMPT ALARM.



NOTE
 -80V BATT. FUSE — Fce
 -50V BATT. TAG 5 — ILPIb
 EARTH ETH. BAR — FC2I-FCa-FCI

NOTES

- FUSING - FIGS 1, 2 & 3. RELAY & LAMP FUSED WITH CORRESPONDING FUSE ALARM. RELAY & LAMP ON NEAREST CONVENIENT RACK NOT SERVED BY THE GROUP FUSE.
- WIRING NOT OTHERWISE SPECIFIED TO BE 22 SWG.

					AUTOMATIC TELEX SYSTEM GROUP FUSE ALARM.		
(70501)					1	27-3-63	Tuc
AMENDMENT PARTICULARS					ISSUE	DATE	APP
					SIZE	F	50V
					GBW 17140		
N.Z.P.O.		DRAWN		CHECKED	WIRING		CIRCUIT

5 Centimetres 10 15 20 25 30