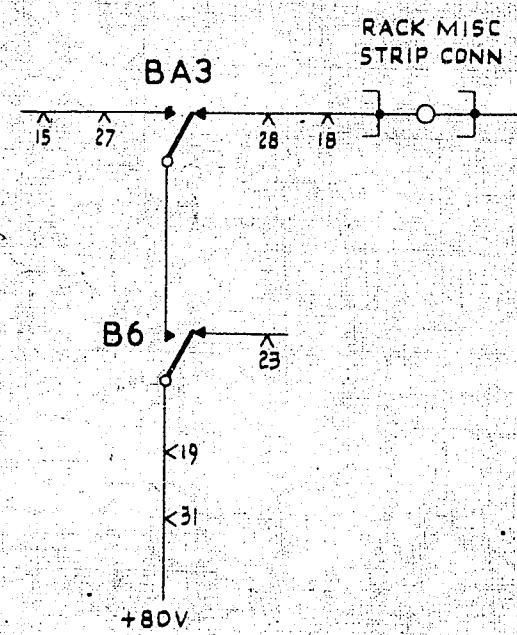
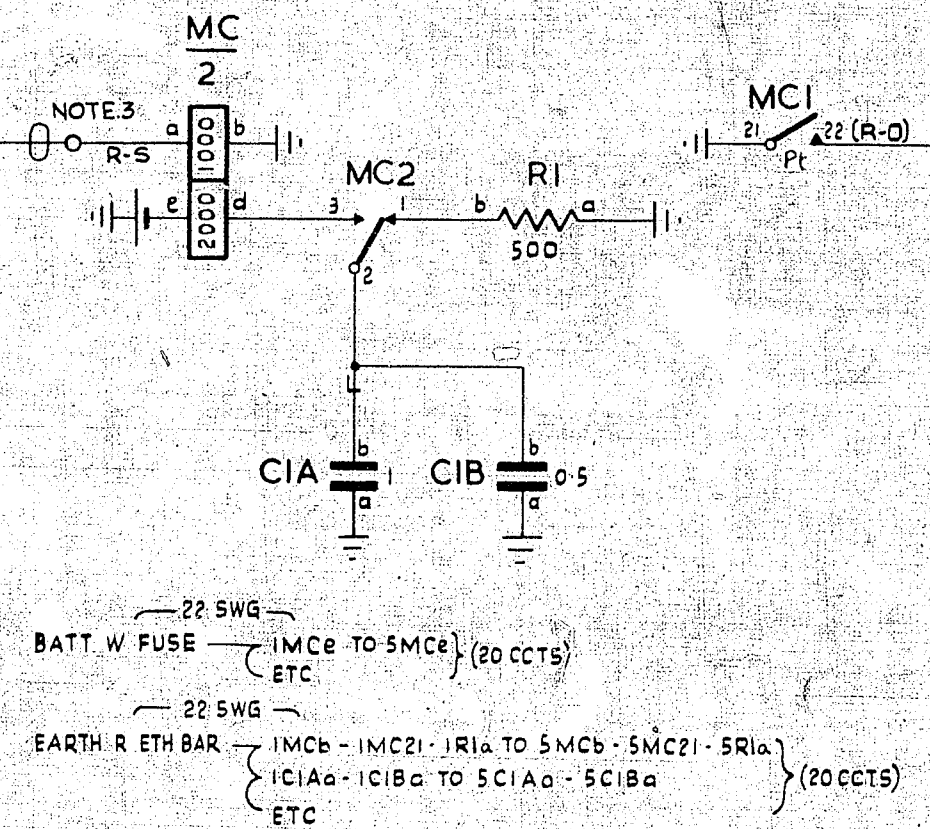


**PART OF GROUP SELECTOR**  
 (GBW 17010 OR EQUIVALENT)  
**ASSOCIATED WITH SUPY**  
**AND METERING EQUIPMENT**  
 (EXPLANATORY ONLY)



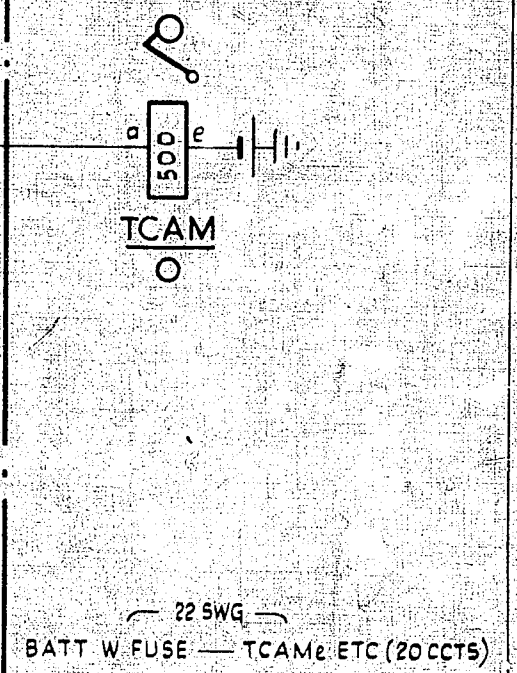
**FIG 1A METER CONTROL RELAY**  
 PER 60 GROUP SELECTORS SERVED

M.A.R.



**FIG 1B TOTAL CALL ATTEMPTS METER**

M.A.R.



**NOTES**

- FUSING  
 FIG 1A 1.0A PER 20 CIRCUITS  
 FIG 1B 1.0A PER 20 METERS
- WIRING NOT OTHERWISE SPECIFIED TO BE 25 SWG
- TAG NUMBER CORRESPONDS TO POSITION NUMBER OF ASSOCIATED METER

|          |                |        |         |                           |         |        |     |   |
|----------|----------------|--------|---------|---------------------------|---------|--------|-----|---|
| N.Z.P.O. | DESIGN CHECKED | WIRING | CIRCUIT | AMENDMENT PARTICULARS     |         | SIZE F | 50V | E |
|          |                |        |         | (70501)                   | 1       |        |     |   |
|          |                |        |         | ISSUE DATE                | 27-3-63 |        |     |   |
|          |                |        |         | App                       |         |        |     |   |
|          |                |        |         | AUTOMATIC TELEX SYSTEM    |         |        |     |   |
|          |                |        |         | TOTAL CALL ATTEMPTS METER |         |        |     |   |
|          |                |        |         | GBW 17090                 |         |        |     |   |