

FROM TELEPRINTER TRUNK
CIRCUIT OR TELEX SWB'D.
(5 WIRE CONNECTED VIA
BULB RESISTOR AND/OR
FILTER WHEN NECESSARY)
NOTES 3 & 5.

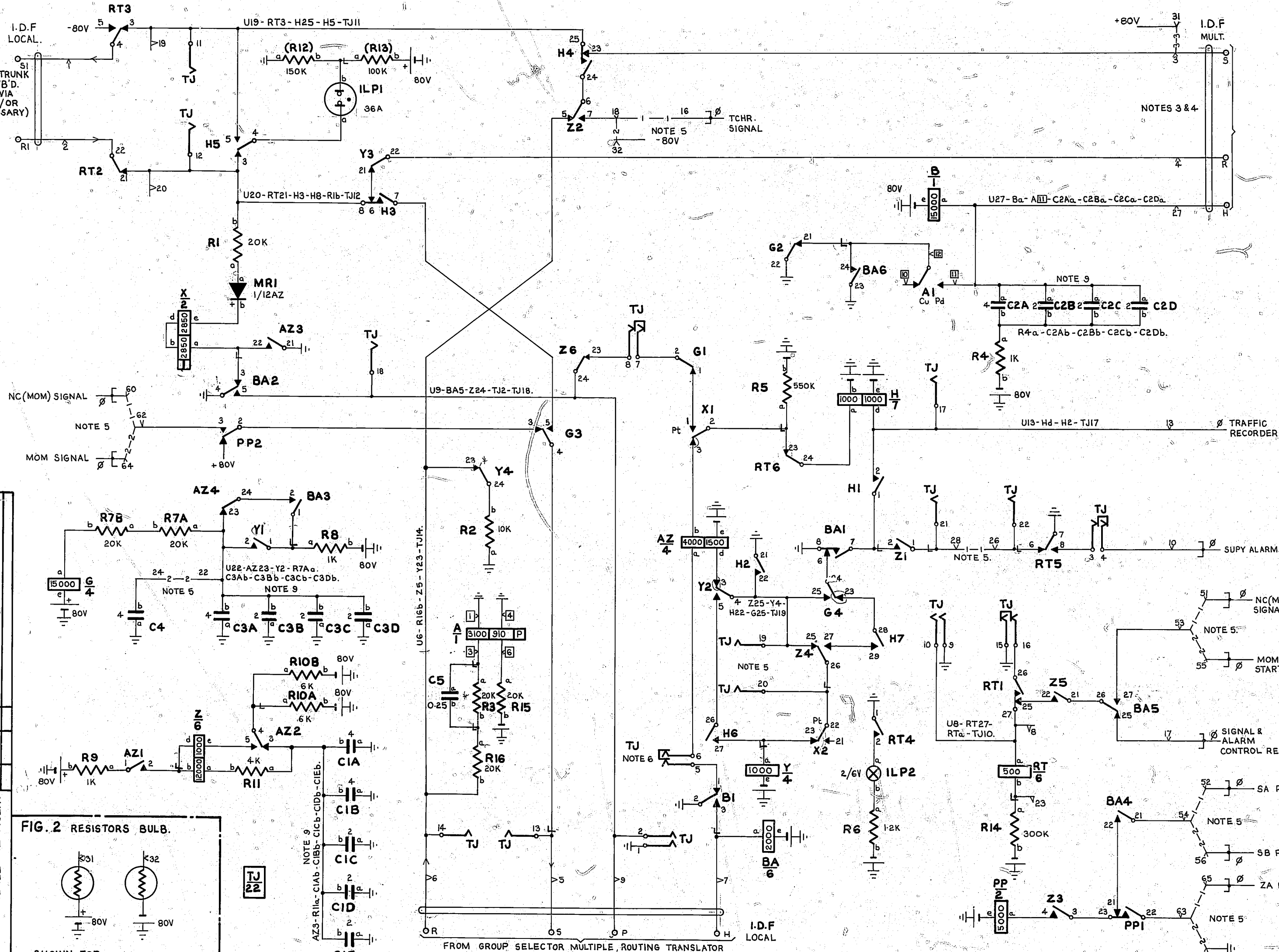
5 CONTINUOUS

RETRACTED & METRICATED (154883) (70501)	JA 8-5-78 JUNE
AMENDMENT PARTICULARS.	ISSUE DATE
20	27-3-63
25	APP

GBW 17030

SIZE M 50V E

AUTOMATIC TELEX SYSTEM
BOTHWAY TRUNK RELAY SET.



- ### NOTES.
- FUSING:-
-50V 1.5A PER CIRCUIT
-80V 1A PER 5 CIRCUITS, 1 RESISTOR BULB
N#11-100A PER CIRCUIT.
+80V 1A PER 5 CIRCUITS, 1 RESISTOR BULB.
N#11-100A PER CIRCUIT
 - INDICATES DIRECTION OF TRANSMISSION
 - SHELF JACK U POINTS 1&3, 2&4 AND 9&11
MAKE CONTACT WHEN RELAY SET IS
REMOVED.
 - WHEN A SELECTOR IS NOT PROVIDED (e.g.
WHEN TRUNK IS USED FOR O/G TRAFFIC ONLY
STRAP JACK POINTS 3 & 31.
 - WHEN RELAY SET PROVIDES ACCESS TO A
SWITCHBOARD INSERT A LINK BETWEEN J19 &
TJ20, STRAP JACK POINTS 22-24-53-55-54-
56-62-64-61-63 & 18-32 (ON THE LEAD CON-
NECTED TO JACK POINT 64 (MOM IS REPEATED
AT 6 SECOND INTERVALS)
WHEN A RELAY SET PROVIDES ACCESS TO A
TRUNK CIRCUIT STRAP JACK POINTS 26-28,
51-53, 52-54, 60-62, 63-65 & 16-18.
 - ON SPARE RELAY SETS REMOVE THE LINK
FROM BETWEEN TJ5 & TJ6
 - WIRING NOT OTHERWISE SPECIFIED TO BE
25SWG.
 - FOR WIRING SEE GBW 17340 OR EQUIV.
 - VALUES OF CAPACITORS C1, C2 AND C3 CAN
BE VARIED IN 2µF STEPS.
THE COMPONENT CAPACITORS TO BE CON-
NECTED SO THAT THE ASSOCIATED RELAYS
HAVE OPERATE OR RELEASE LAGS WITHIN
THE FOLLOWING LIMITS:-

CAPACITOR	RELAY	OPERATE MS.	RELEASE MS.
C1	Z	300-600	-
C2	B	-	325-475.
C3 C4 (NOTES)	G	-	700-900 1000-1500

- 50V BATT W 0.7mm FUSE U12
- EARTH R 0.7mm ETH BAR U11
- +80V BATT 0.7mm FUSE U29 ETC (5 CCTS)
- 80V BATT 0.7mm FUSE U30 ETC (5 CCTE)
- 50V BATT W U12-R5b-R6B-R14b-BAe-AZe-PPe-Ye-Hb-He-R15b
- +80V BATT 0 U29 Ge R9b R13b
- +80V BATT 0 U31-PPi
- 80V BATT BK U30-R8b-R4b-Bc-R10a-R10Bb.
- 80V BATT BK U32-RT5.

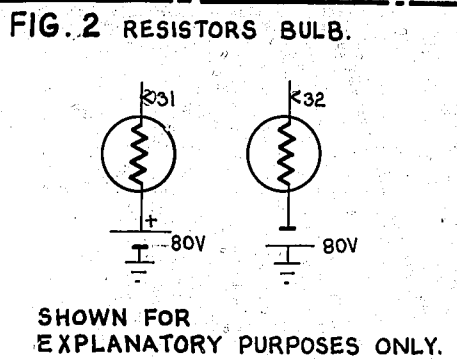


Fig. 1 BOTHWAY TRUNK RELAY SET.