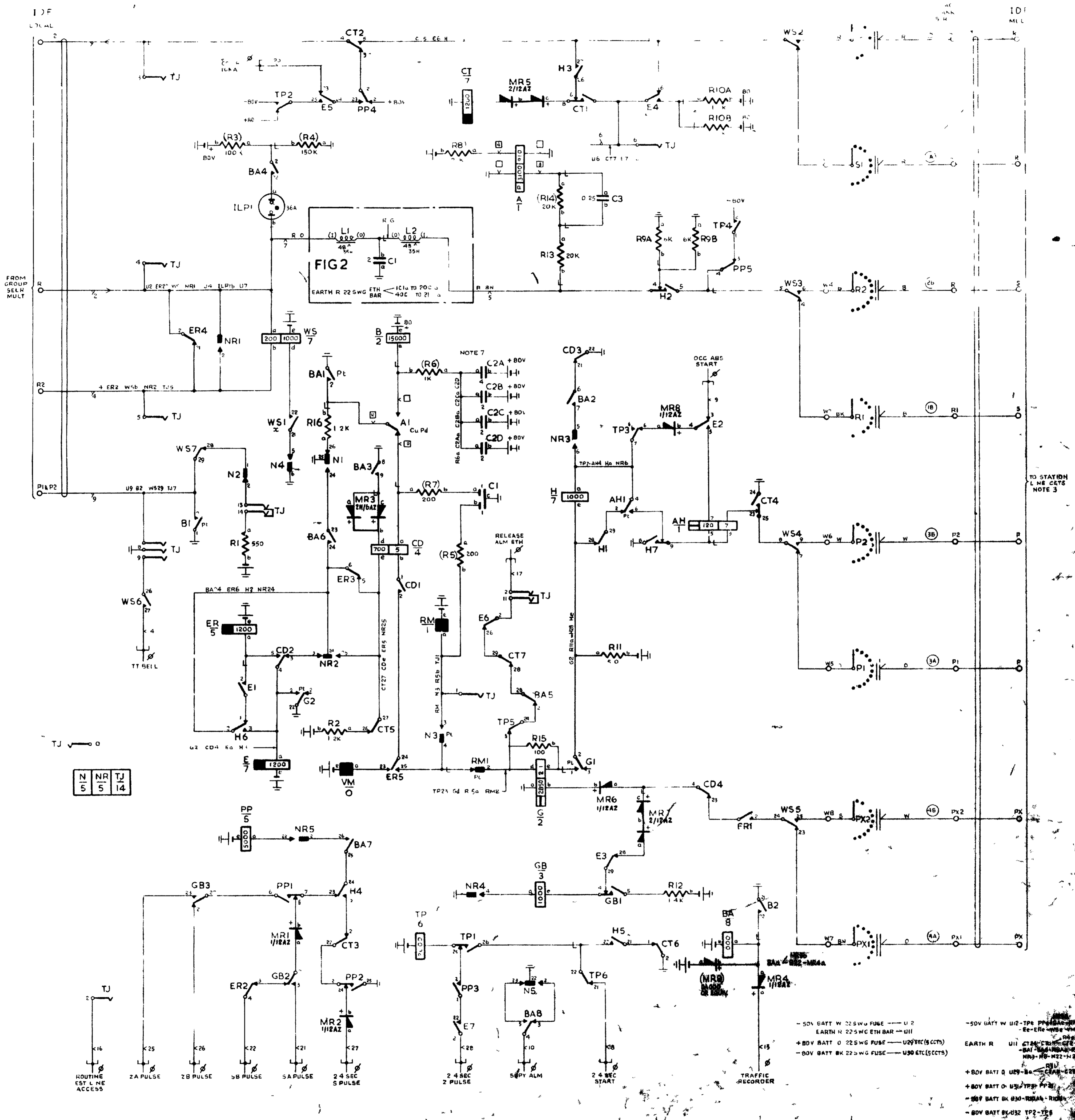
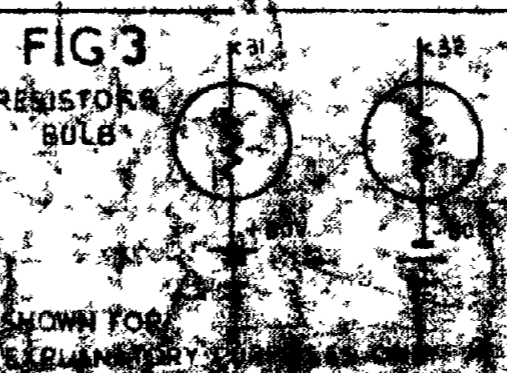


FIG 1



NOTES

- 1 FUSE  
- 50V 5A PER CIRCUIT  
- 80V 1.0A PER 5 CIRCUITS PAIR OF RELAY COILS  
- 80V 1.0A PER 5 CIRCUITS BULBS PER CIRCUIT
- 2 SHELF JACK U POINTS 9 & 11 MAKE CONTACT WHEN SELECTOR IS REMOVED
- 3 FOR AUXILIARY GROUP WORK, SEE 88W 17000 & 17080 OR EQUIV. FOR CONN. OF PHASED WP SIGNAL TO SPARE OUTLETS. SEE 88W 17080 OR EQUIV.
- 4 WIRING NOT OTHERWISE SPECIFIED TO BE 28SWG
- 5 Ø FOR WIRING SEE 88W 17350 OR EQUIV. AS SHOWN
- 6 → INDICATES DIRECTION OF TRANSMISSION
- 7 CAPA. (TOR C2.5) ADJUSTABLE IN 2MF STEPS TO SECURE A RELEASE LAG FOR RELAY B WITHIN THE RANGE 325 TO 475 MS.



Terminal	Component / Connection
TP1	80V BATT W 22.5WG FUSE
TP2	80V BATT W 22.5WG FUSE
TP3	80V BATT W 22.5WG FUSE
TP4	80V BATT W 22.5WG FUSE
TP5	80V BATT W 22.5WG FUSE
TP6	80V BATT W 22.5WG FUSE
TP7	80V BATT W 22.5WG FUSE
TP8	80V BATT W 22.5WG FUSE
TP9	80V BATT W 22.5WG FUSE
TP10	80V BATT W 22.5WG FUSE
TP11	80V BATT W 22.5WG FUSE
TP12	80V BATT W 22.5WG FUSE
TP13	80V BATT W 22.5WG FUSE
TP14	80V BATT W 22.5WG FUSE
TP15	80V BATT W 22.5WG FUSE
TP16	80V BATT W 22.5WG FUSE
TP17	80V BATT W 22.5WG FUSE
TP18	80V BATT W 22.5WG FUSE
TP19	80V BATT W 22.5WG FUSE
TP20	80V BATT W 22.5WG FUSE
TP21	80V BATT W 22.5WG FUSE
TP22	80V BATT W 22.5WG FUSE
TP23	80V BATT W 22.5WG FUSE
TP24	80V BATT W 22.5WG FUSE
TP25	80V BATT W 22.5WG FUSE
TP26	80V BATT W 22.5WG FUSE
TP27	80V BATT W 22.5WG FUSE
TP28	80V BATT W 22.5WG FUSE
TP29	80V BATT W 22.5WG FUSE
TP30	80V BATT W 22.5WG FUSE
TP31	80V BATT W 22.5WG FUSE
TP32	80V BATT W 22.5WG FUSE
TP33	80V BATT W 22.5WG FUSE
TP34	80V BATT W 22.5WG FUSE
TP35	80V BATT W 22.5WG FUSE
TP36	80V BATT W 22.5WG FUSE
TP37	80V BATT W 22.5WG FUSE
TP38	80V BATT W 22.5WG FUSE
TP39	80V BATT W 22.5WG FUSE
TP40	80V BATT W 22.5WG FUSE
TP41	80V BATT W 22.5WG FUSE
TP42	80V BATT W 22.5WG FUSE
TP43	80V BATT W 22.5WG FUSE
TP44	80V BATT W 22.5WG FUSE
TP45	80V BATT W 22.5WG FUSE
TP46	80V BATT W 22.5WG FUSE
TP47	80V BATT W 22.5WG FUSE
TP48	80V BATT W 22.5WG FUSE
TP49	80V BATT W 22.5WG FUSE
TP50	80V BATT W 22.5WG FUSE
TP51	80V BATT W 22.5WG FUSE
TP52	80V BATT W 22.5WG FUSE
TP53	80V BATT W 22.5WG FUSE
TP54	80V BATT W 22.5WG FUSE
TP55	80V BATT W 22.5WG FUSE
TP56	80V BATT W 22.5WG FUSE
TP57	80V BATT W 22.5WG FUSE
TP58	80V BATT W 22.5WG FUSE
TP59	80V BATT W 22.5WG FUSE
TP60	80V BATT W 22.5WG FUSE
TP61	80V BATT W 22.5WG FUSE
TP62	80V BATT W 22.5WG FUSE
TP63	80V BATT W 22.5WG FUSE
TP64	80V BATT W 22.5WG FUSE
TP65	80V BATT W 22.5WG FUSE
TP66	80V BATT W 22.5WG FUSE
TP67	80V BATT W 22.5WG FUSE
TP68	80V BATT W 22.5WG FUSE
TP69	80V BATT W 22.5WG FUSE
TP70	80V BATT W 22.5WG FUSE
TP71	80V BATT W 22.5WG FUSE
TP72	80V BATT W 22.5WG FUSE
TP73	80V BATT W 22.5WG FUSE
TP74	80V BATT W 22.5WG FUSE
TP75	80V BATT W 22.5WG FUSE
TP76	80V BATT W 22.5WG FUSE
TP77	80V BATT W 22.5WG FUSE
TP78	80V BATT W 22.5WG FUSE
TP79	80V BATT W 22.5WG FUSE
TP80	80V BATT W 22.5WG FUSE
TP81	80V BATT W 22.5WG FUSE
TP82	80V BATT W 22.5WG FUSE
TP83	80V BATT W 22.5WG FUSE
TP84	80V BATT W 22.5WG FUSE
TP85	80V BATT W 22.5WG FUSE
TP86	80V BATT W 22.5WG FUSE
TP87	80V BATT W 22.5WG FUSE
TP88	80V BATT W 22.5WG FUSE
TP89	80V BATT W 22.5WG FUSE
TP90	80V BATT W 22.5WG FUSE
TP91	80V BATT W 22.5WG FUSE
TP92	80V BATT W 22.5WG FUSE
TP93	80V BATT W 22.5WG FUSE
TP94	80V BATT W 22.5WG FUSE
TP95	80V BATT W 22.5WG FUSE
TP96	80V BATT W 22.5WG FUSE
TP97	80V BATT W 22.5WG FUSE
TP98	80V BATT W 22.5WG FUSE
TP99	80V BATT W 22.5WG FUSE
TP100	80V BATT W 22.5WG FUSE