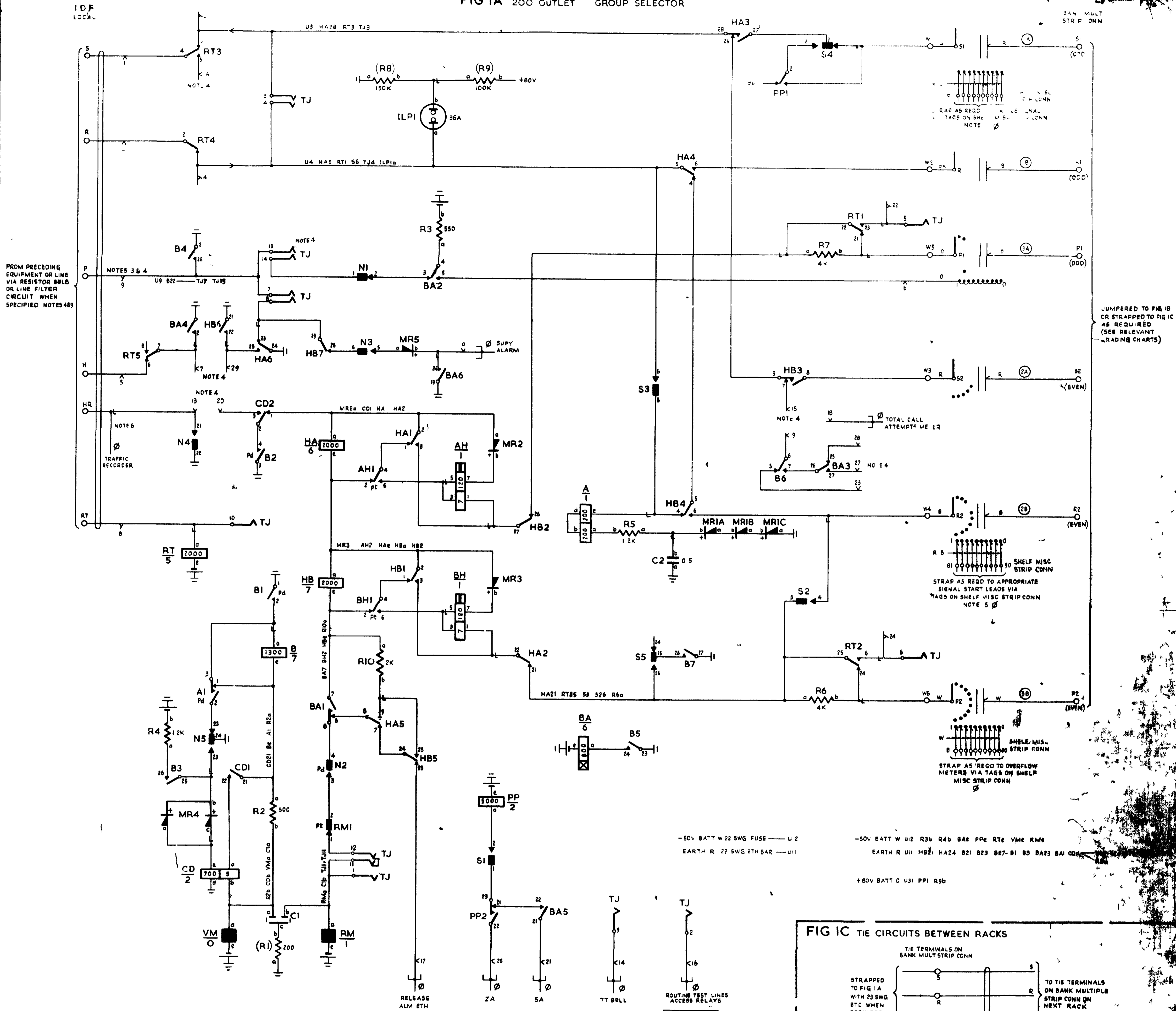


FIG 1A 200 OUTLET GROUP SELECTOR



FROM PRECEDING EQUIPMENT OR LINE VIA RESISTOR 900B OR LINE FILTER CIRCUIT WHEN SPECIFIED NOTES 4&5

JUMPERED TO FIG 1B OR STRAPPED TO FIG 1C AS REQUIRED (SEE RELEVANT WIRING CHARTS)

NOTES

- FUSING**
50V 1.5A PER CIRCUIT
+80V 1A PER 20 CIRCUITS AND 1 RES STOR
-80V 1/2 BULB N 11 100 OHMS PER 2 CIRCUITS
 - INDICATES DIRECTION OF TRANSMISSION
 - SHLEF JACK U POINTS 9 & 11 MAKE CONTACT WHEN SELECTOR IS REMOVED
 - FOR A SELECTOR ASSOCIATED WITH
 - A TIME ZONE METERING EQUIPMENT STRAP JACK POINTS 15 27 7 29 18 28 & 19 31 AND CONNECT TJ13 TJ14 BY A LINK N RED
 - A TRUNK RELAY SET STRAP JACK POINTS 7 9 29 15 19 23 27 31 28 32 & B 20
 - A UNIDIRECTIONAL 1/2 TRUNK CIRCUIT STRAP JACK POINTS 9 29 13-20 15 19 23 27 26 32 27 31 & 28 32 SEE NOTE 4 (h)
 - A ROUTING TRANSLATOR STRAP JACK POINTS 13 20 16 31 AND 7 29 AND CONNECT TJ13 TJ14 BY A LINK N RED
 - A STATION LINE CIRCUIT MULTIPLE STRAP JACK POINTS 13 2-4, 7-9 15 19 23 27 31 27 31 & 28 32 AND CONNECT TJ13 TJ14 BY A LINK N RED SEE NOTE 4 (h)
 - A GROUP SELECTOR MULTIPLE STRAP JACK POINTS 13 2-4, 7-9 15 19 23 27 31 AND CONNECT TJ13 TJ14 BY A LINK N RED SEE NOTE 4 (h)
 - A UNIDIRECTIONAL 1/2 STATION LINE STRAP JACK POINTS 15-19 19-23 27 27-31 & 28 32 SEE NOTE 4 (h)
 - CONNECT SERVICE SIGNAL LEAD TO S1 LEVEL AS FOLLOWS
NC OR OCC SIGNAL ON WORKING LEVELS AS SPECIFIED
NP SIGNAL ON SPARE LEVELS
AND APPROPRIATE SIGNAL START LEAD TO R2 LEVEL
 - FOR A GROUP SELECTOR NOT ASSOCIATED WITH A TIME ZONE METERING EQUIPMENT JACK POINT 13 PROVIDES A TRAFFIC RECORDER ACCESS POINT
 - WIRING NOT OTHERWISE SPECIFIED TO BE 25 SWG
 - Ø FOR WIRING SEE GBW17320 OR EQUIV
 - CABLE TO THE I D F ONLY THOSE CONNECTIONS WHICH ARE TO BE EXTENDED TO THE PRECEDING EQUIPMENT IN SOME EXCHANGES THE CABLING IS DIRECT AND NOT VIA THE I D F
- (CONT D)
(R) A B/W CONNECTING CIRCUIT AND TEST DESK STRAP JACK POINTS 1,3,2,4,7,9,29
15 19 23 27 31 & 28 32
(h) A DEMETERING CIRCUIT CONNECT AS DETAILED IN THE APPROPRIATE NOTE 4
(i) (e), (f), OR (g) ABOVE EXCEPT THAT JACK POINTS 19-20 SHOULD NOT BE STRAPPED
(j) A SUPERVISORY ACCESS RELAY SET ON A THROUGH TANDERS RELAY SET STRAP JACK POINTS 13-20 15-19 & 7-29 AND CONNECT TJ13 TJ14 BY A LINK N RED
(j) A SUPERVISORY METERING RELAY SET ON A THROUGH TANDERS RELAY SET STRAP JACK POINTS 13-20 15-19 & 7-29 AND CONNECT TJ13 TJ14 BY A LINK N RED

-50V BATT W 22 SWG FUSE U 2
EARTH R U11 HB21 HA24 B21 B23 B27-31 B3 BA23 BA1 CD1
+80V BATT O U31 PPI R9b

FIG 1C TIE CIRCUITS BETWEEN RACKS

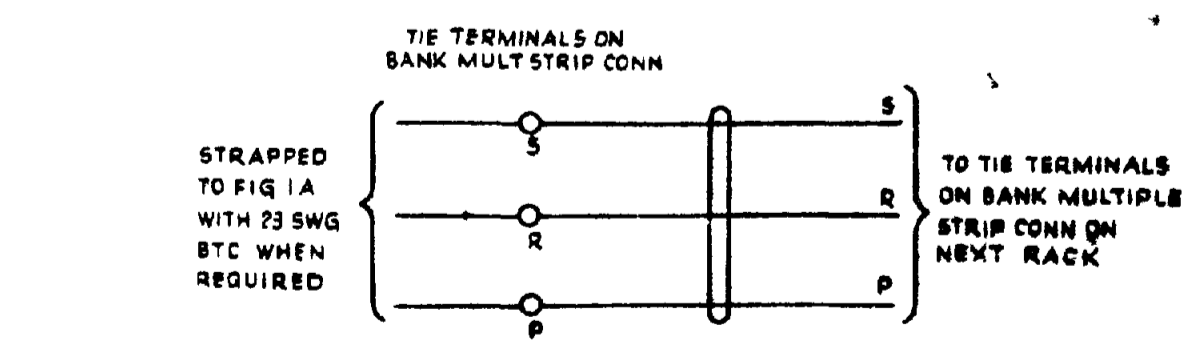
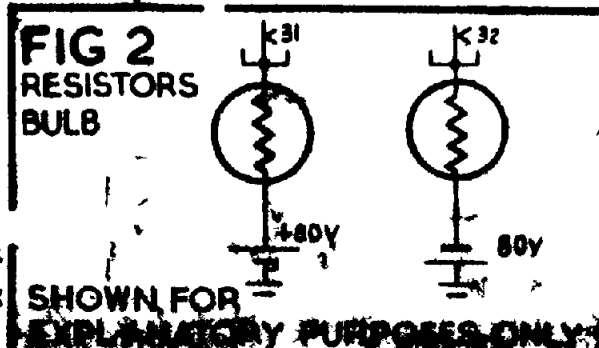
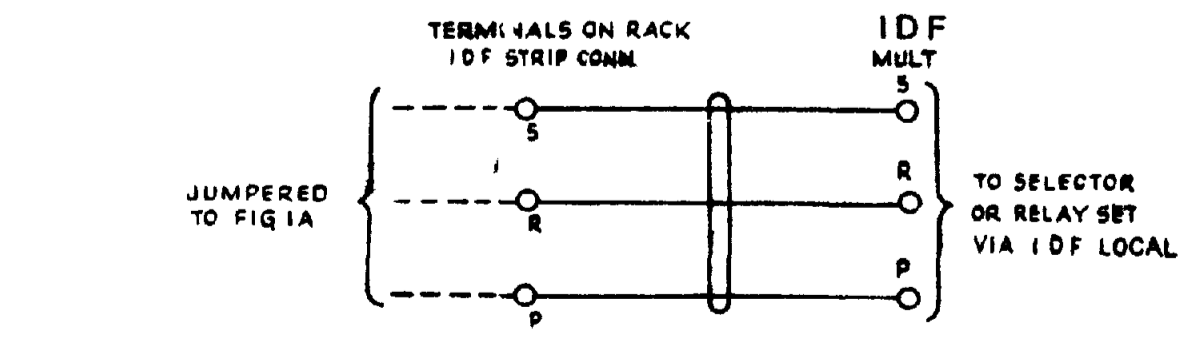


FIG 1B OUTGOING CIRCUITS TO I D F



NOTE 4 (R) ADDED	(86573)	5	12-67	A M	AUTOMATIC TELEX SYSTEM
NOTE 4 (C) AMENDED		4			200 OUTLET GROUP SELECTOR
RELEVANT CORRS & NOTE 4 AMENDED U29 ADDED		3			
NOTE 4 (D) AMENDED		2			
AMENDMENT PARTICULARS			ISSUE DATE	APPRO	SIZE 100V 8
DRAWN CHECKED					GBW 17010