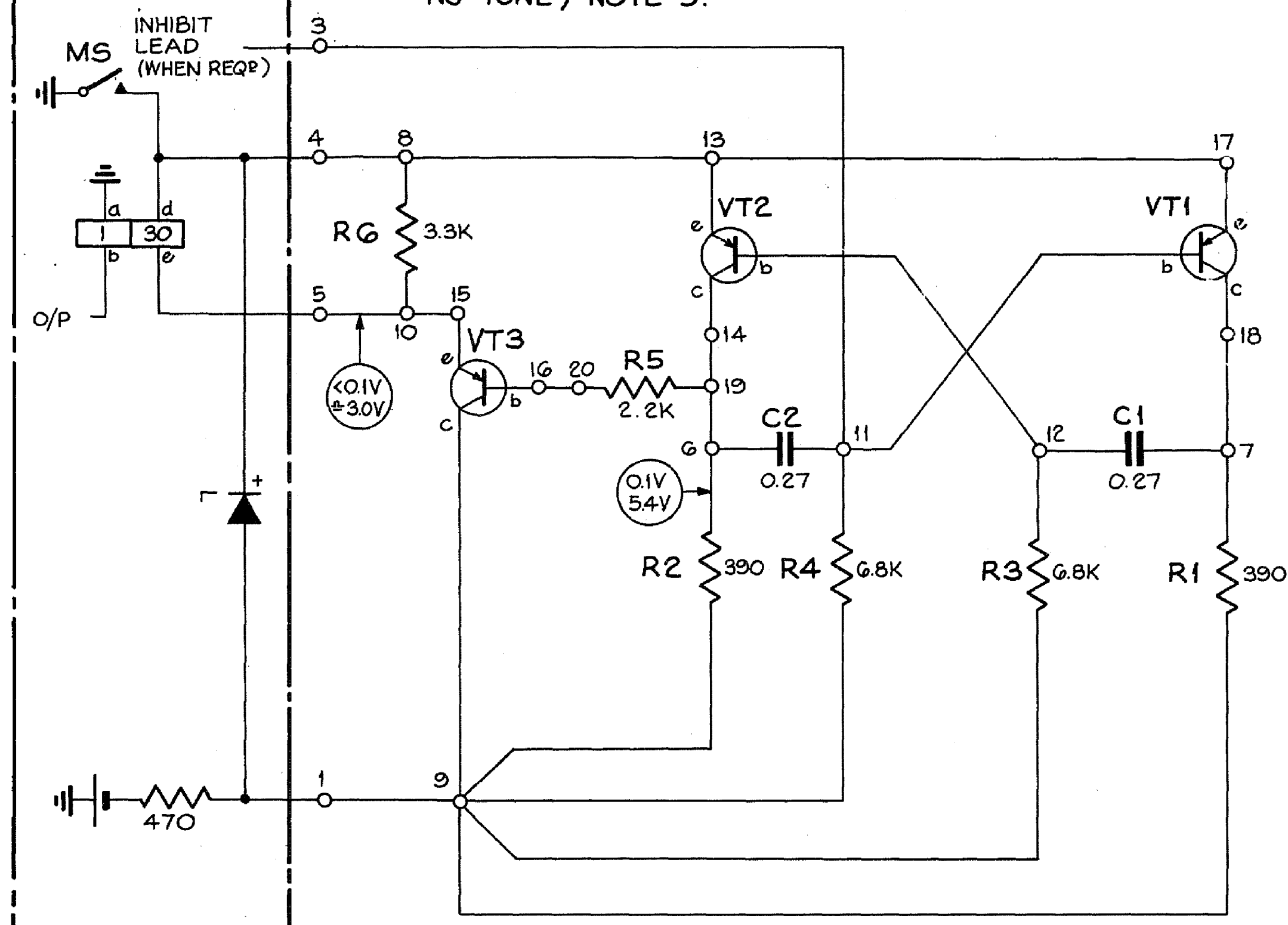


- NOTES**
- 1: ALL WIRING TO BE 25 S.W.G (GREEN).
 - 2: WIRING OF COMPONENT TO BE SUITABLY SLEEVED TO AVOID CONTACT WITH OTHER COMPONENTS.
 - 3: FOR TAG LAYOUT OF FIGS. 1, 2 & 4 SEE VIEW OF TONE DECK.

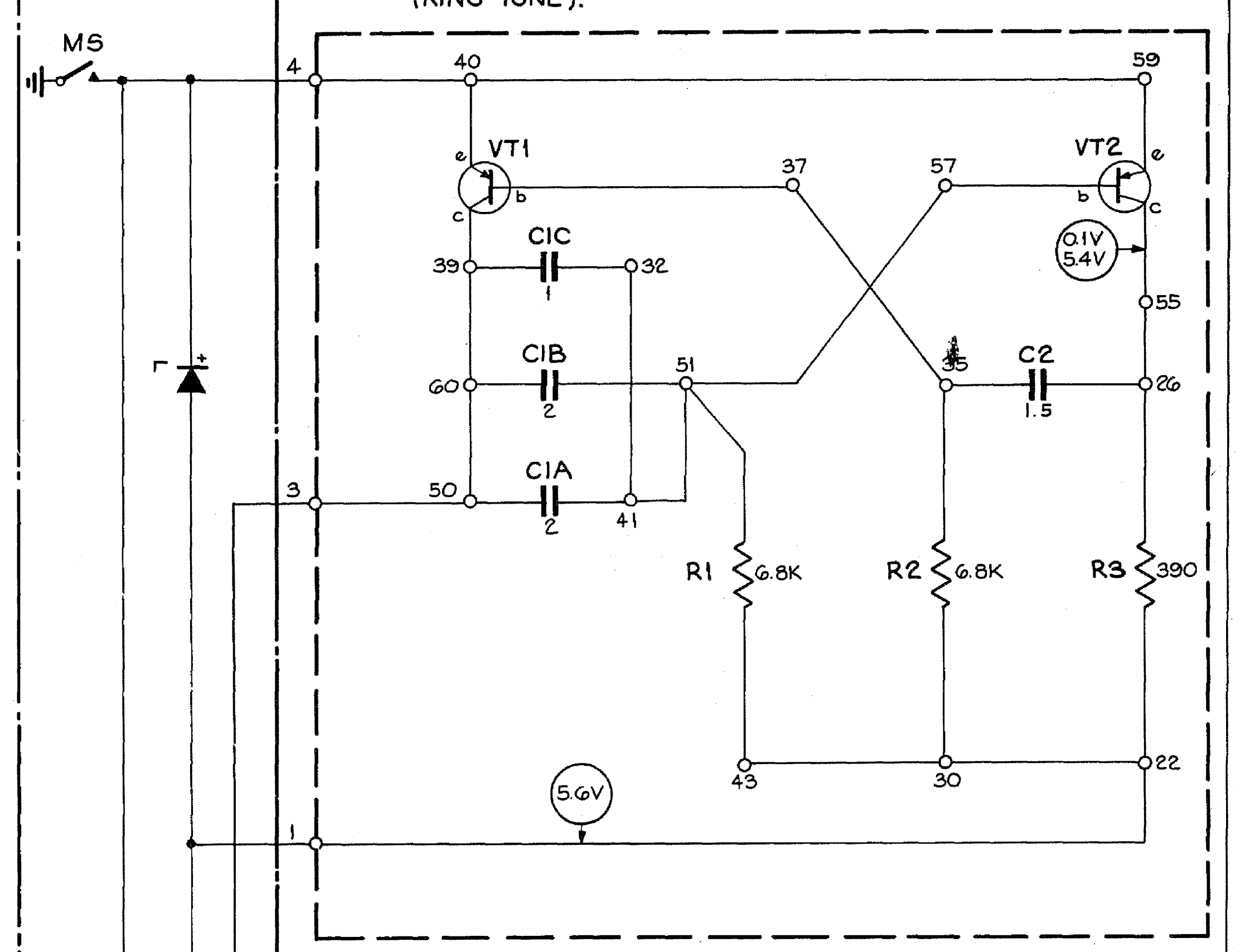
GBW 13723 OR EQUIV.
EXPLANATORY ONLY

FIG. 1 400~ TONE GENERATOR (DIAL TONE, BUSY TONE & NU TONE) NOTE 3.



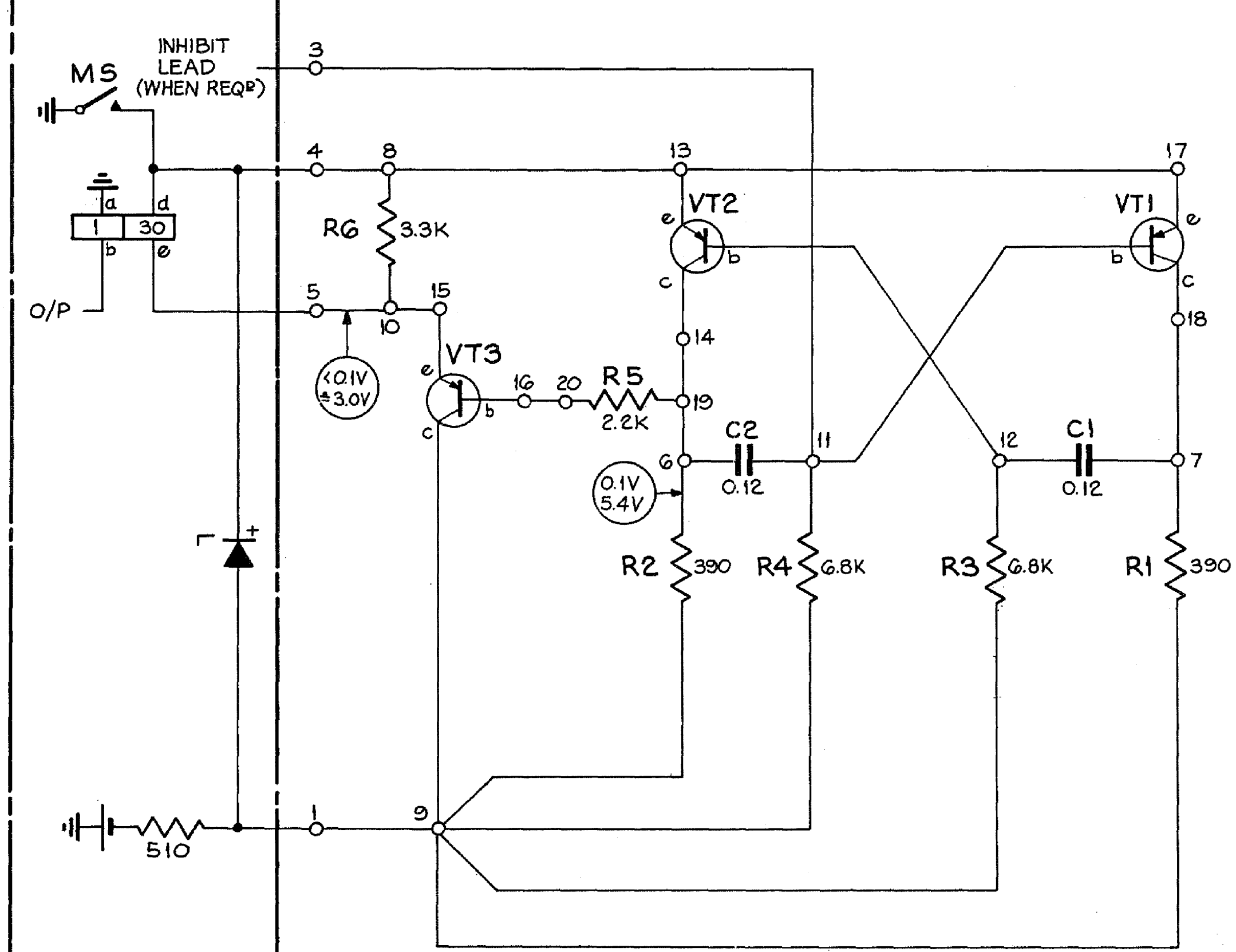
GBW 13723 OR EQUIV.
EXPLANATORY ONLY

FIG. 3 33~ TONE GENERATOR FOR USE WITH 400~ TONE GENERATOR (RING TONE).



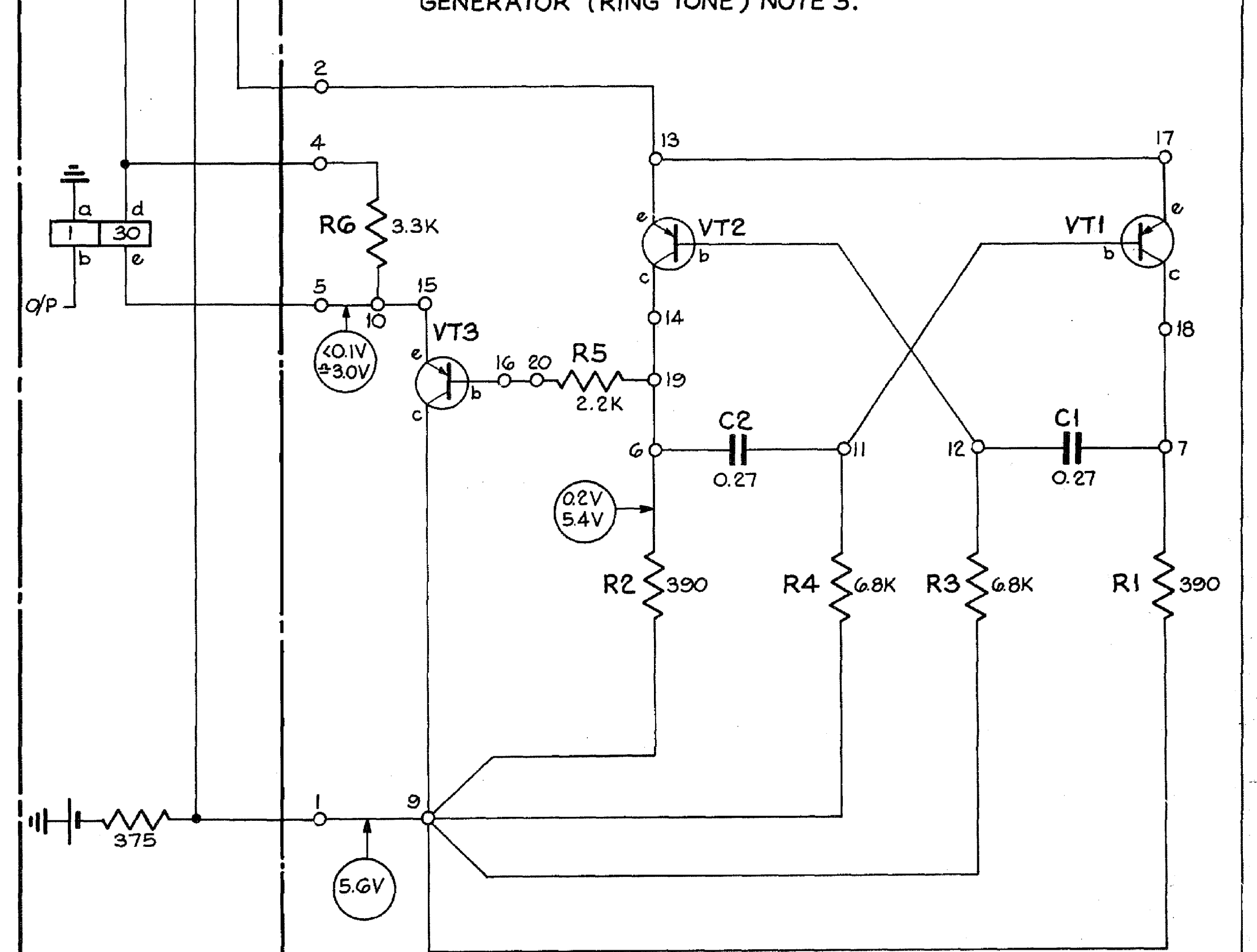
GBW 13723 OR EQUIV.
EXPLANATORY ONLY

FIG. 2 900~ TONE GENERATOR (OVERFLOW BUSY TONE) NOTE 3.



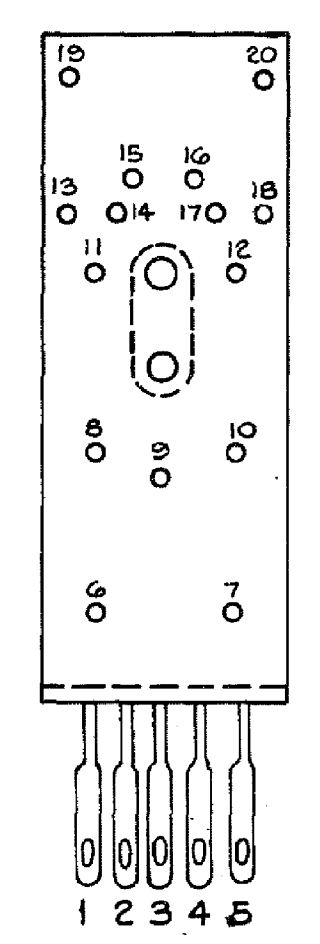
GBW 13723 OR EQUIV.
EXPLANATORY ONLY

FIG. 4 400~ TONE GENERATOR FOR USE WITH 33~ TONE GENERATOR (RING TONE) NOTE 3.



NZPO	AMENDMENT	PARTICULARS	ISS	DATE	APPD
A1					
RETRACTED & INCORP.		(154272)	1	11/10/76	CAW
		(93015)	1	4.0.67	DUB
GBW		16970			
		TRANSISTORISED			
		TONE GENERATORS			
		U.A.X. NZ 13			
		BOV			
		C			

TOP VIEW
OF TONE DECK



GBW 16970