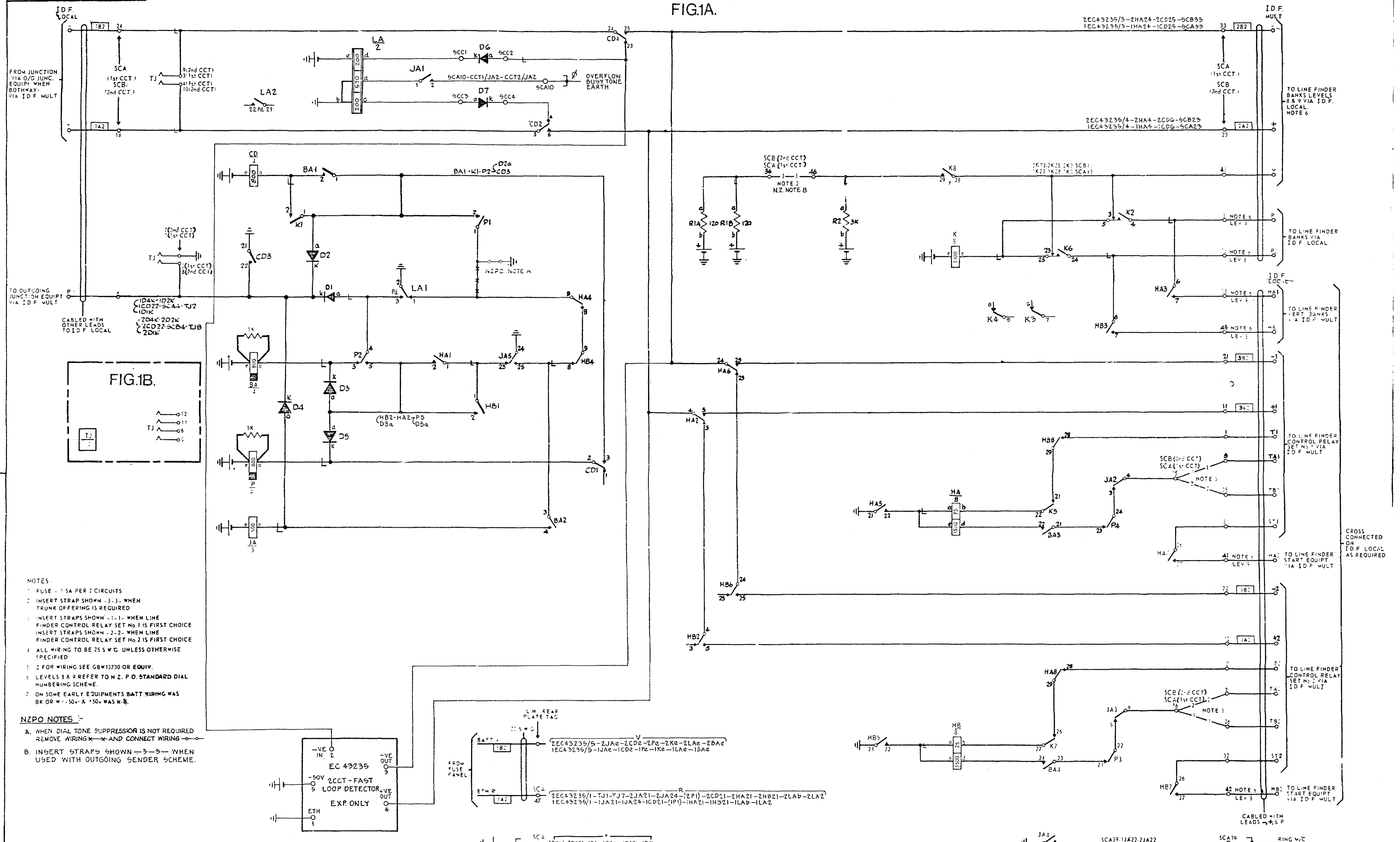
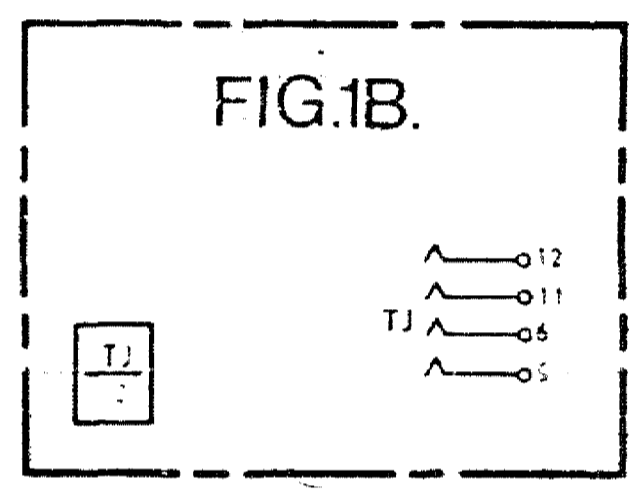


FIG.1A.



- NOTES:**
- FUSE - 1.5A PER 2 CIRCUITS
 - INSERT STRAP SHOWN - 3-3- WHEN TRUNK OFFERING IS REQUIRED
 - INSERT STRAPS SHOWN - 1-1- WHEN LINE FINDER CONTROL RELAY SET No. 1 IS FIRST CHOICE
INSERT STRAPS SHOWN - 2-2- WHEN LINE FINDER CONTROL RELAY SET No. 2 IS FIRST CHOICE
 - ALL WIRING TO BE 25 S W.G. UNLESS OTHERWISE SPECIFIED
 - FOR WIRING SEE GBW13730 OR EQUIV.
 - LEVELS 3 & 9 REFER TO N.Z. P.O. STANDARD DIAL NUMBERING SCHEME
 - ON SOME EARLY EQUIPMENTS BATT WIRING WAS BK OR W. 50V & +50V WAS K-B.

- NZPO NOTES:**
- WHEN DIAL TONE SUPPRESSOR IS NOT REQUIRED REMOVE WIRING ~~---~~ AND CONNECT WIRING ~~---~~
 - INSERT STRAPS SHOWN - 3-3- WHEN USED WITH OUTGOING SENDER SCHEME.



ENGR'S RECORD

ENGR'S RECORD

A1 A2	DGN EE SM TR	ENG MTH	NZPO NOTE B ADDED (144249)	7B 7970 G3W	TOLERANCES (UNLESS OTHERWISE STATED)	SERIAL	FINISH	REF. GBW13347 MODIFIED
	APPR MTH	NZPO NOTE A ADDED & TITLE CHANGED (39631)	D2 TO D5 ADDED	7A 318 1135-H	THREE PLACE DEC. DIMS			
	CHK KB	WIRING CD1.23 & CD21.22 REVISED	CIRCUIT REDRAWN, WIRING TO CD1-CD7-K3 & K4 MADE SPARE. AL.		TWO PLACE DEC. DIMS			
	ENG DEPT	AMP. TO NZM X9 (54461) AMENDED TO NZM X9 (54422) MADE CONFIDENTIAL (176423) NZP (63327) NZ NOTE G ADDED (43206)	TG 293-3 GCG 7F 18128 GCG 7E 14281 GCG 7D 14181 GCG 7C 4477 RED	BATT. WITH WINS. REVISED NOTE "ADDED WINDING" ARG. MOD. REL. 'A' & 'B' DELETED 'CD' REL. CHANGED WIRING MODIFIED 'R'				