

- NOTES:-
- 11 FOR FUSE DETAILS SEE ASSOCIATED CONTROL UNIT DIAG. GBW 11230 OR EQUIV.
 - 12 DISCRIMINATING LEADS ARE EARTHED AT THE VERTICAL BAR (X) OF THE ACCESS SELB. THE DISCRIMINATING LEAD FOR EACH CLASS OF SELB AND SERVICE IS AS FOLLOWS:- DA10/10 SELB (OPERATES RELAY 'DY')
 - 13 FOR WIRES FROM 'TC' ROW ONE ON TEST UNIT TO 'TC' ROW ONE ON CONTROL UNIT SEE ASSOCIATED ACCESS CONTROL UNIT DIAG. GBW 11230 OR EQUIV.
 - 14 RELAY TEST RESISTOR YY & YZ ARE CORRECT FOR 49.5 VOLTS AT THE EQUIPT UNDER TEST.
 - 15 ALL WIRING TO BE 0.5mm UNLESS OTHERWISE SPECIFIED.
 - 16 FOR WIRING SEE GBW 11560 OR EQUIV.
 - 17 THIS DIAGRAM MAY BE USED FOR CONVERTING EQUIPMENT MADE TO GBW 11220 WHEN IT IS REQUIRED TO REPLACE THERMIONIC VALVE TONE DETECTOR BY A TRANSISTORIZED TONE DETECTOR NOT REQUIRING A POSITIVE BATT. SUPPLY.

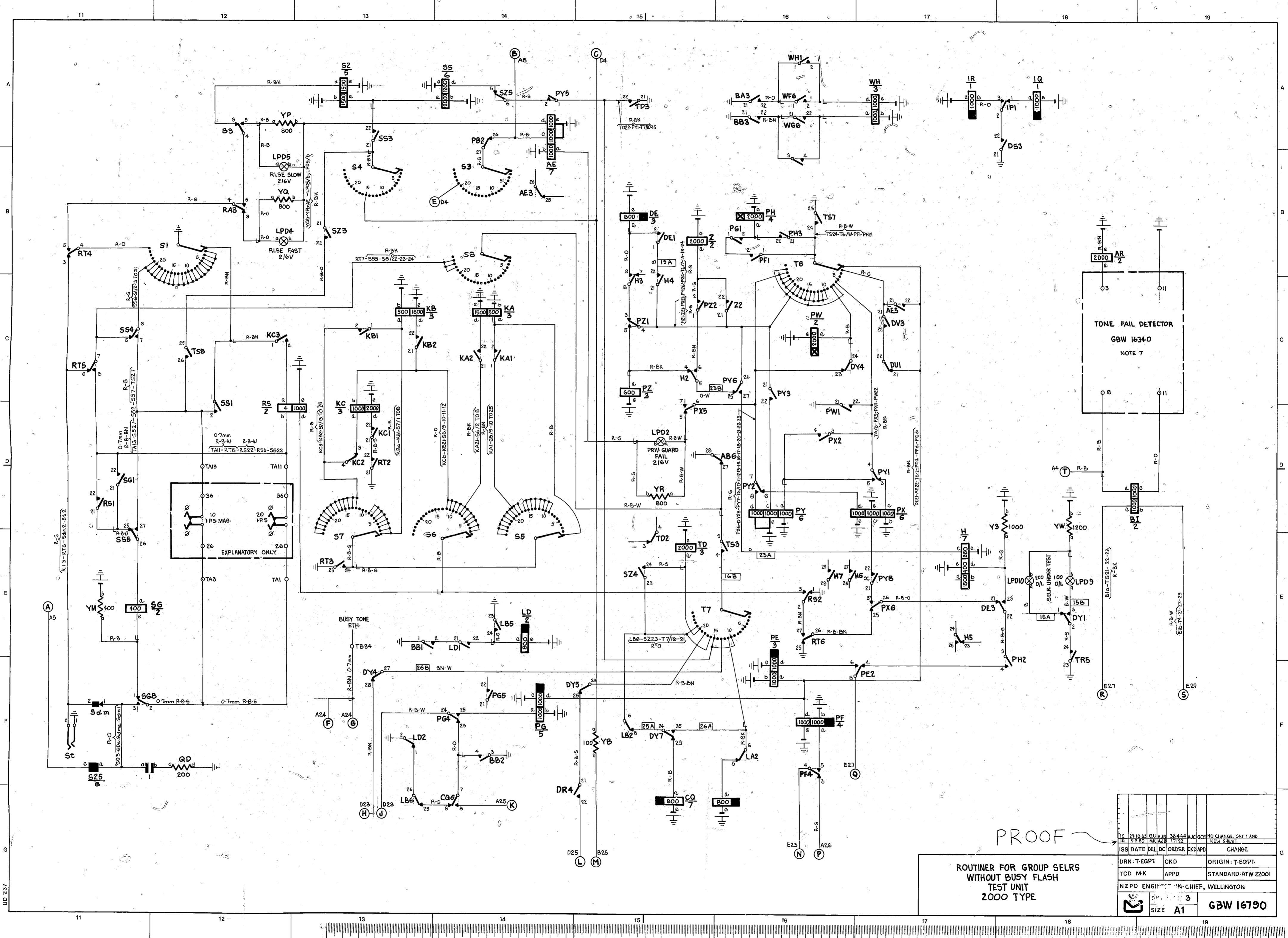
PROOF

NOT TO BE USED FOR NEW WORK.

1E	27.10.63	GU	UB	38.444	AN	600	TUA	YN	COILS	AMD.
1D	9.9.60	MKA	IB	17122						RETRACTED NOW 3 SHEETS
1C	11.12.76			193671	REV					REMOVED YMA, YMD, YD, YS, RC ADDED, METRICATED.
1B	7.6.77			133456	REV					ADD DODE DI ADDED NZM. DC/A
1A	13.10.74			162310	REV					REMOVED YMA, YMD, YD, YS, RC ADDED, METRICATED.
1	20.11.64			134003	REV					BURNBT RELAY CHANGED KRAM/LEAD ADDED
ISS	DATE	DEL	DC	ORDER	CKD	APPD				CHANGE
DRN	T-EQPT	CKD								ORIGIN: T-EQPT
TCDD	M/K	APPD								STANDARD: ATW 22001
NZPO	ENGINEER-IN-CHIEF,									WELLINGTON
	SHT									3
	SIZE									GBW 16790

ROUTINER FOR GROUP SELRS
WITHOUT BUSY FLASH
TEST UNIT
2000 TYPE

UD 237

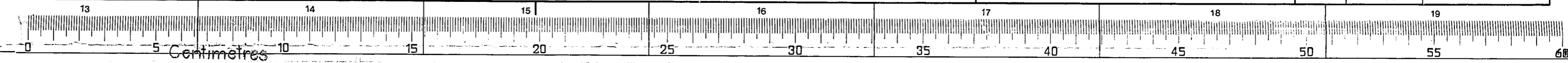


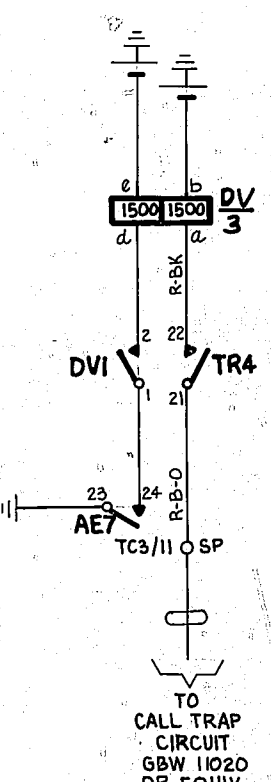
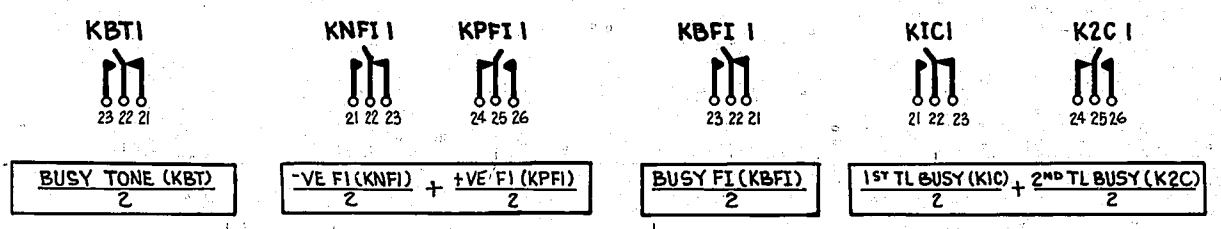
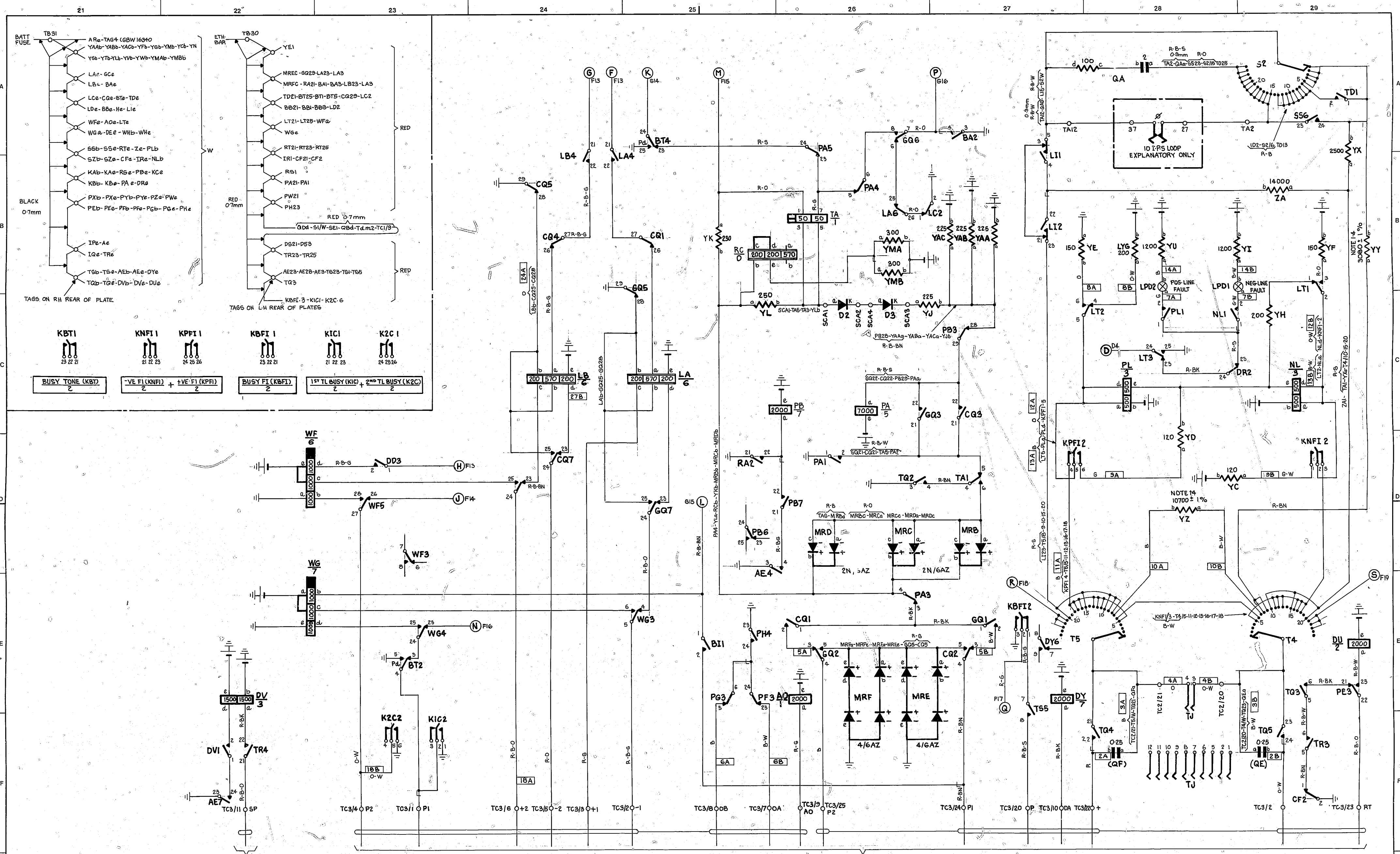
PROOF

ROUTINER FOR GROUP SELRS
WITHOUT BUSY FLASH
TEST UNIT
2000 TYPE

1E	27-10-63	GU/AB	38444	AVC/GCC	NO CHANGE	SHT 1 AMD
1D	19-10-60	MK/AB	17182			NEW SHEET
ISS DATE	DEL DC	ORDER	CKD/APP	CHANGE		
DRN: T-EQPT	CKD	ORIGIN: T-EQPT				
TCD: M-K	APPD	STANDARD: ATW 22001				
NZ PO ENGIN... IN-CHIEF, WELLINGTON						
SP 3			GBW 16790			
SIZE A1						

UD 237





TO ROUT ACC EQUIPT.

PROOF

ROUTINER FOR GROUP SELLS WITHOUT BUSY FLASH TEST UNIT 2000 TYPE

1E 21-10-83	G.U. AUB	38444	AJC	NO CHANGE	5HT 1 AMD.
1D 19-9-80	MK AUB	17122			NEW SHEET
ISS DATE	DEL DC	ORDER CKD	APPD	CHANGE	
DRN: T-EQPT	CKD	ORIGIN: T-EQPT			
TCD: M-K	APPD	STANDARD: ATW 22001			
NZ PO		R-IN-CHIEF, WELLINGTON			
		OF 3			
		SIZE A1			GBW 16790

UD 237

