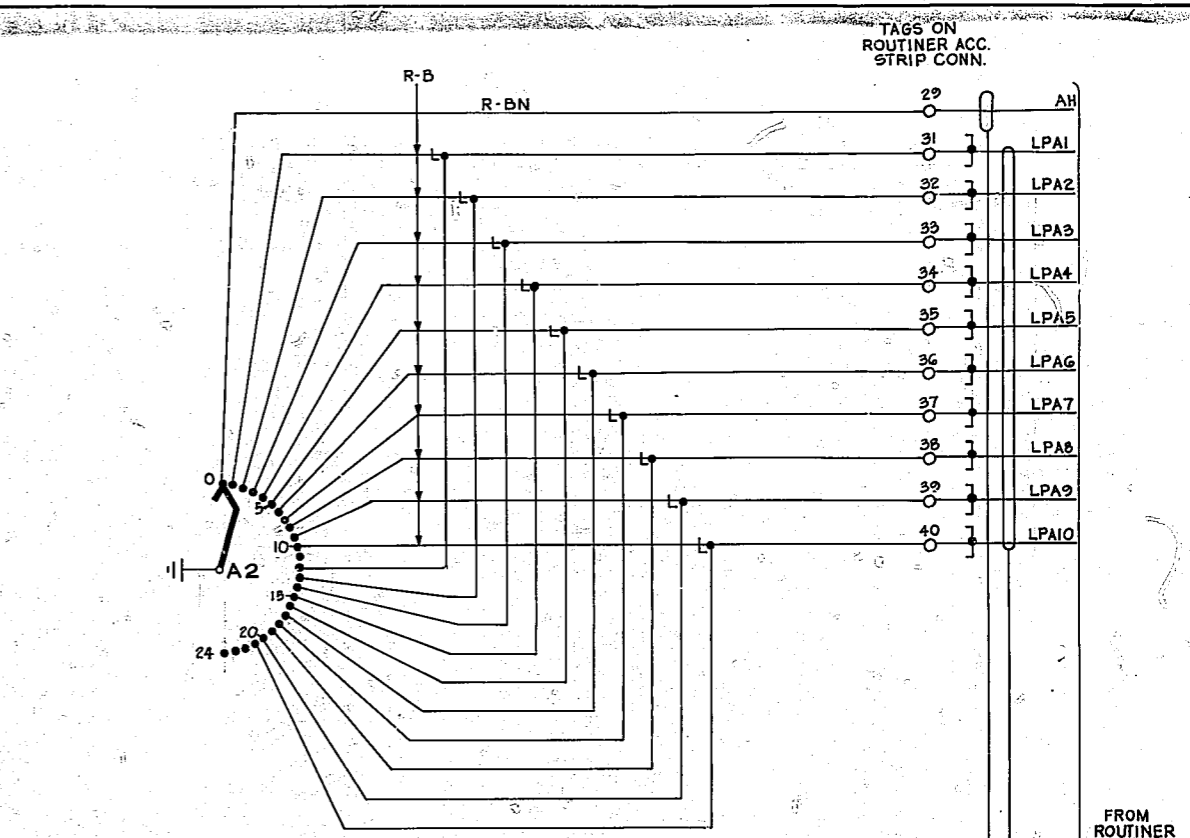
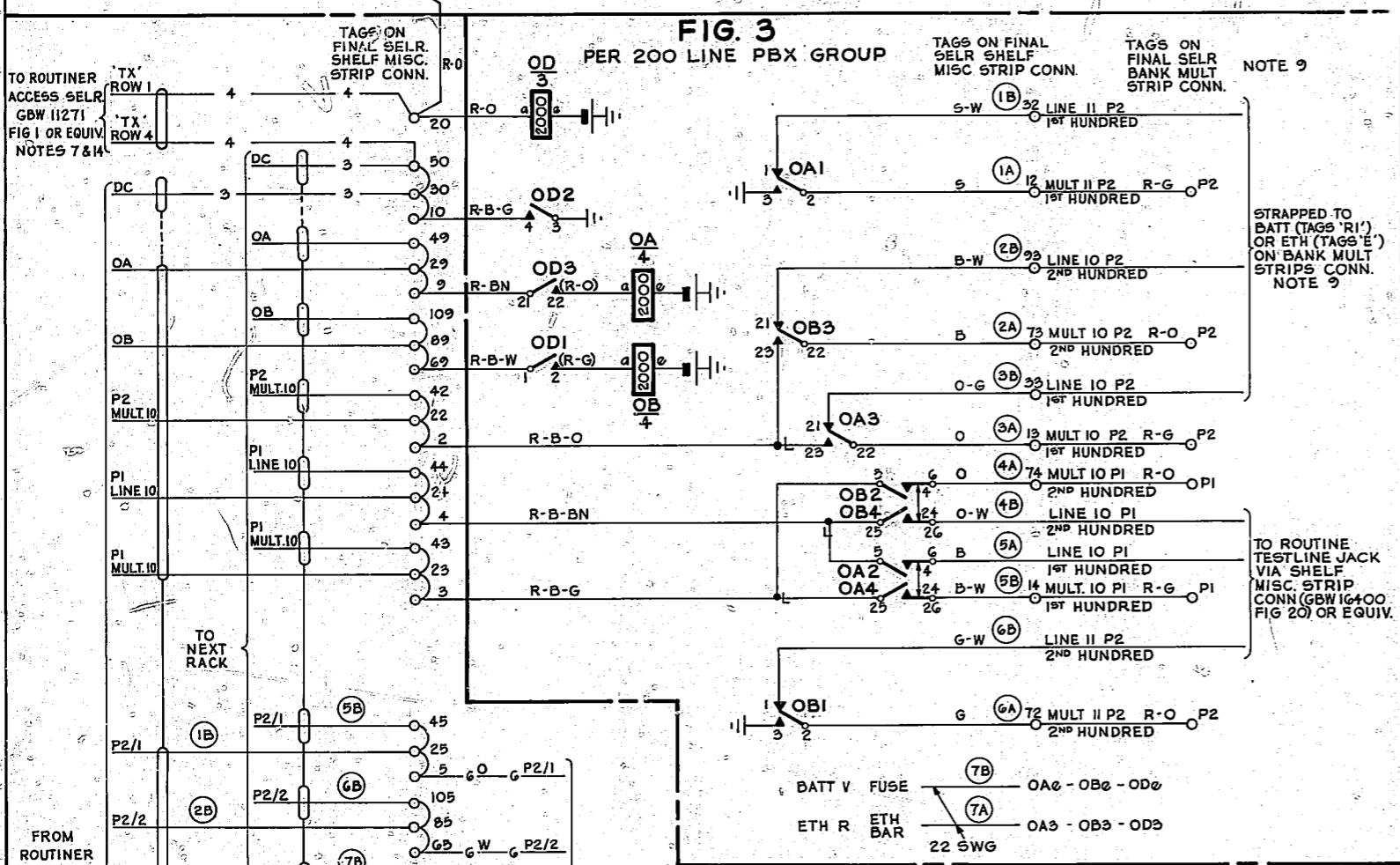


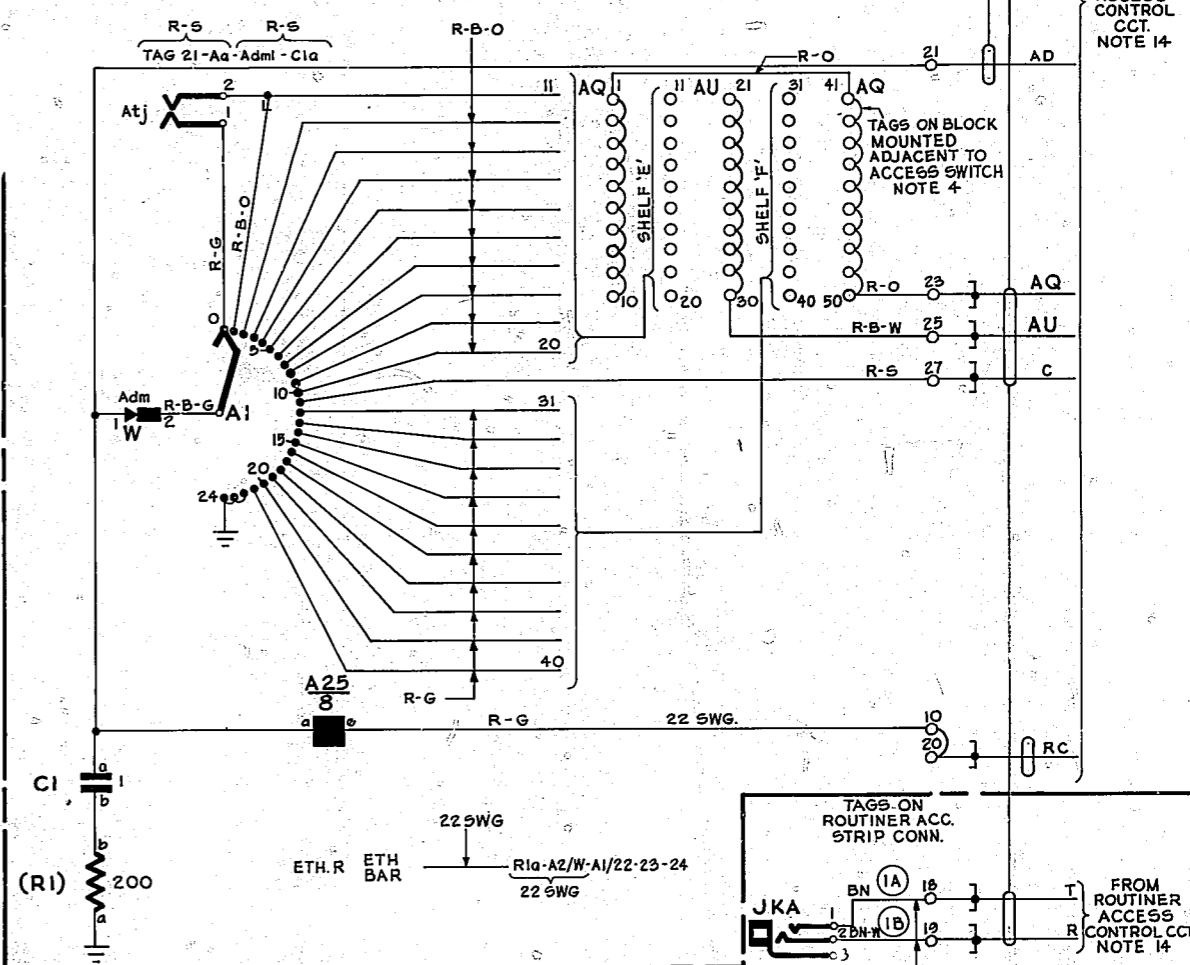
**FIG. 1**  
ACCESS SELECTOR (PER RACK)



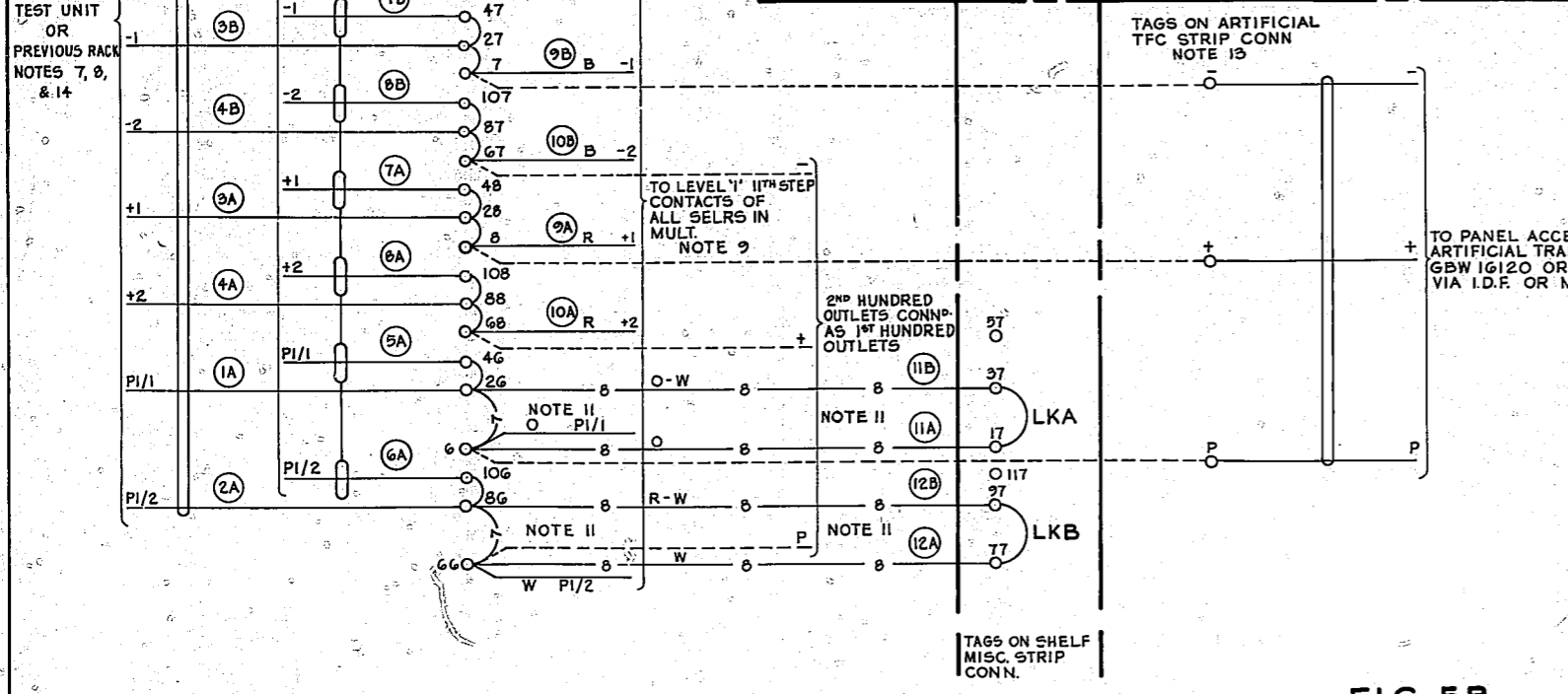
**FIG. 2**  
PER 200 LINE ORD OR PBX. MULT.



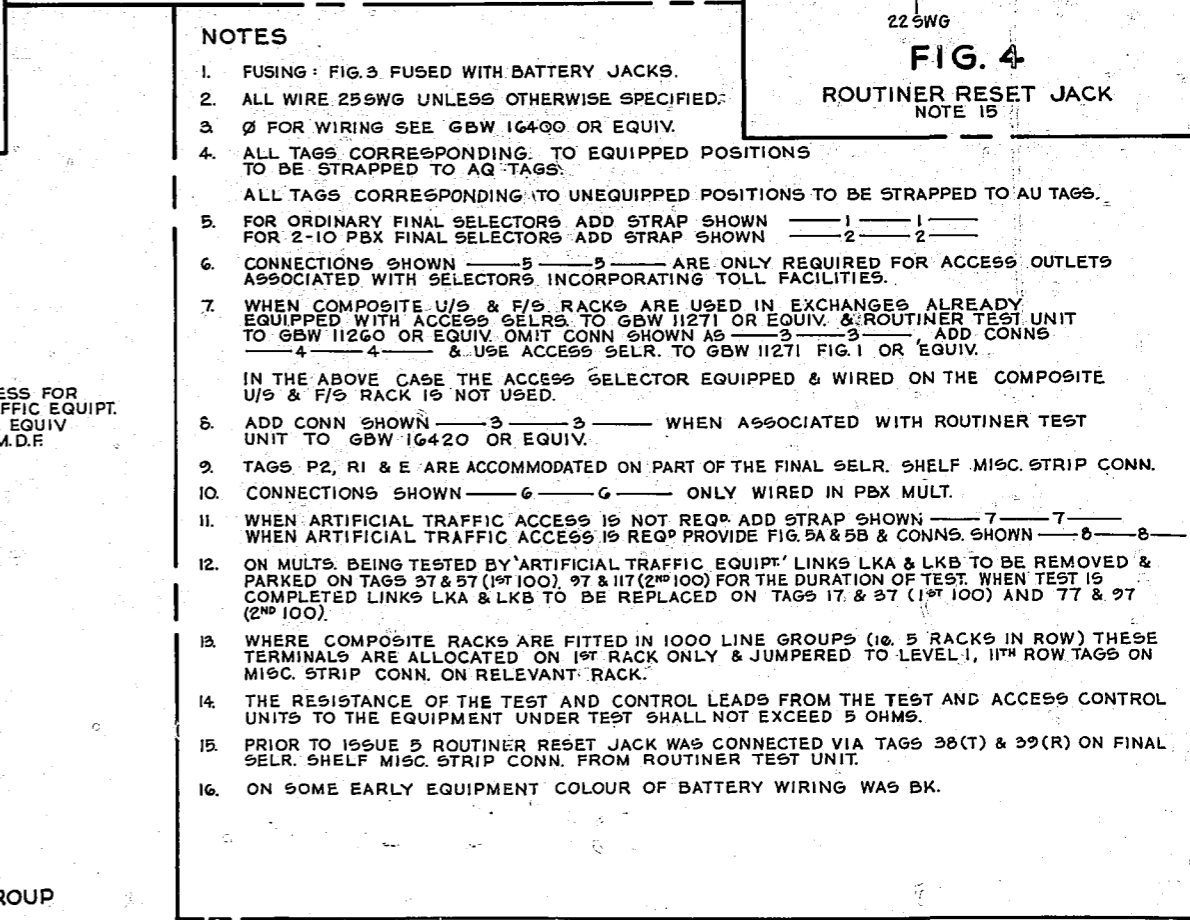
**FIG. 3**  
PER 200 LINE PBX GROUP



**FIG. 4**  
ROUTINER RESET JACK  
NOTE 15



**FIG. 5A**  
NOTE 12  
PER MULT



**FIG. 5B**  
PER MULT PER 100 LINE GROUP

**NOTES**

- FUSING: FIG. 3 FUSED WITH BATTERY JACKS.
- ALL WIRE 25ΩWG UNLESS OTHERWISE SPECIFIED:
- Ø FOR WIRING SEE GBW 16400 OR EQUIV.
- ALL TAGS CORRESPONDING TO EQUIPPED POSITIONS TO BE STRAPPED TO AQ TAGS.
- ALL TAGS CORRESPONDING TO UNEQUIPPED POSITIONS TO BE STRAPPED TO AU TAGS.
- FOR ORDINARY FINAL SELECTORS ADD STRAP SHOWN — 1 — 1 — FOR 2-10 PBX FINAL SELECTORS ADD STRAP SHOWN — 2 — 2 —
- CONNECTIONS SHOWN — 5 — 5 — ARE ONLY REQUIRED FOR ACCESS OUTLETS ASSOCIATED WITH SELECTORS INCORPORATING TOLL FACILITIES.
- WHEN COMPOSITE U/S & F/S RACKS ARE USED IN EXCHANGES ALREADY EQUIPPED WITH ACCESS SELRS TO GBW 11271 OR EQUIV. & ROUTINER TEST UNIT TO GBW 11260 OR EQUIV. OMIT CONN SHOWN AS — 3 — 3 — ADD CONNS — 4 — 4 — & USE ACCESS SELR. TO GBW 11271 FIG. 1 OR EQUIV.
- IN THE ABOVE CASE THE ACCESS SELECTOR EQUIPPED & WIRED ON THE COMPOSITE U/S & F/S RACK IS NOT USED.
- ADD CONN SHOWN — 3 — 3 — WHEN ASSOCIATED WITH ROUTINER TEST UNIT TO GBW 16420 OR EQUIV.
- TAGS P2, R1 & E ARE ACCOMMODATED ON PART OF THE FINAL SELR SHELF MISC STRIP CONN.
- CONNECTIONS SHOWN — 6 — 6 — ONLY WIRED IN PBX MULT.
- WHEN ARTIFICIAL TRAFFIC ACCESS IS NOT REQD ADD STRAP SHOWN — 7 — 7 — WHEN ARTIFICIAL TRAFFIC ACCESS IS REQD PROVIDE FIG. 5A & 5B & CONNS SHOWN — 8 — 8 —
- ON MULTS. BEING TESTED BY 'ARTIFICIAL TRAFFIC EQUIP' LINKS LKA & LKB TO BE REMOVED & PARKED ON TAGS 37 & 37 (1ST 100), 37 & 117 (2ND 100) FOR THE DURATION OF TEST. WHEN TEST IS COMPLETED LINKS LKA & LKB TO BE REPLACED ON TAGS 17 & 37 (1ST 100) AND 77 & 97 (2ND 100).
- WHERE COMPOSITE RACKS ARE FITTED IN 1000 LINE GROUPS (i.e. 5 RACKS IN ROW) THESE TERMINALS ARE ALLOCATED ON 1ST RACK ONLY & JUMPED TO LEVEL-1, 11TH ROW TAGS ON MISC STRIP CONN. ON RELEVANT RACK.
- THE RESISTANCE OF THE TEST AND CONTROL LEADS FROM THE TEST AND ACCESS CONTROL UNITS TO THE EQUIPMENT UNDER TEST SHALL NOT EXCEED 5 OHMS.
- PRIOR TO ISSUE 5 ROUTINER RESET JACK WAS CONNECTED VIA TAGS 38(T) & 39(R) ON FINAL SELR SHELF MISC STRIP CONN. FROM ROUTINER TEST UNIT.
- ON SOME EARLY EQUIPMENT COLOUR OF BATTERY WIRING WAS BK.

RETRACED	(52307)	5	24-1-74	B5-H
CABLING FROM ACC. CONTROL CLARIFIED NOTES 14, 15 & 16 ADDED (30432)		5	24-5-72	D.S.H.
FIG. 5A 5B & ASSOCIATED NOTES & CONNECTIONS ADDED	(—)	4		
		1		

AMENDMENT PARTICULARS	ISSUE DATE	APPR	REF: E6124	SIZE M	50 V C

**GBW 16410**

